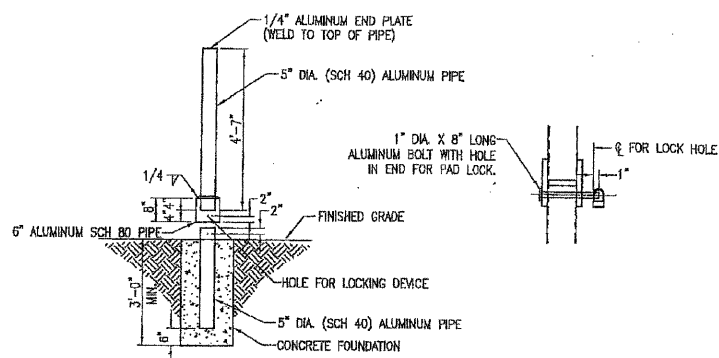
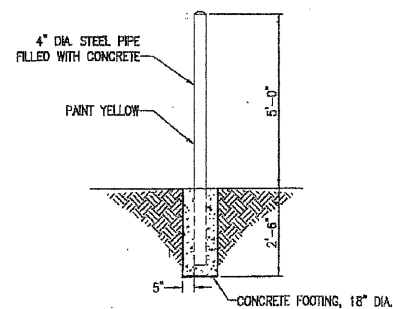


TYPICAL SIGN INSTALLATION
NOT TO SCALE

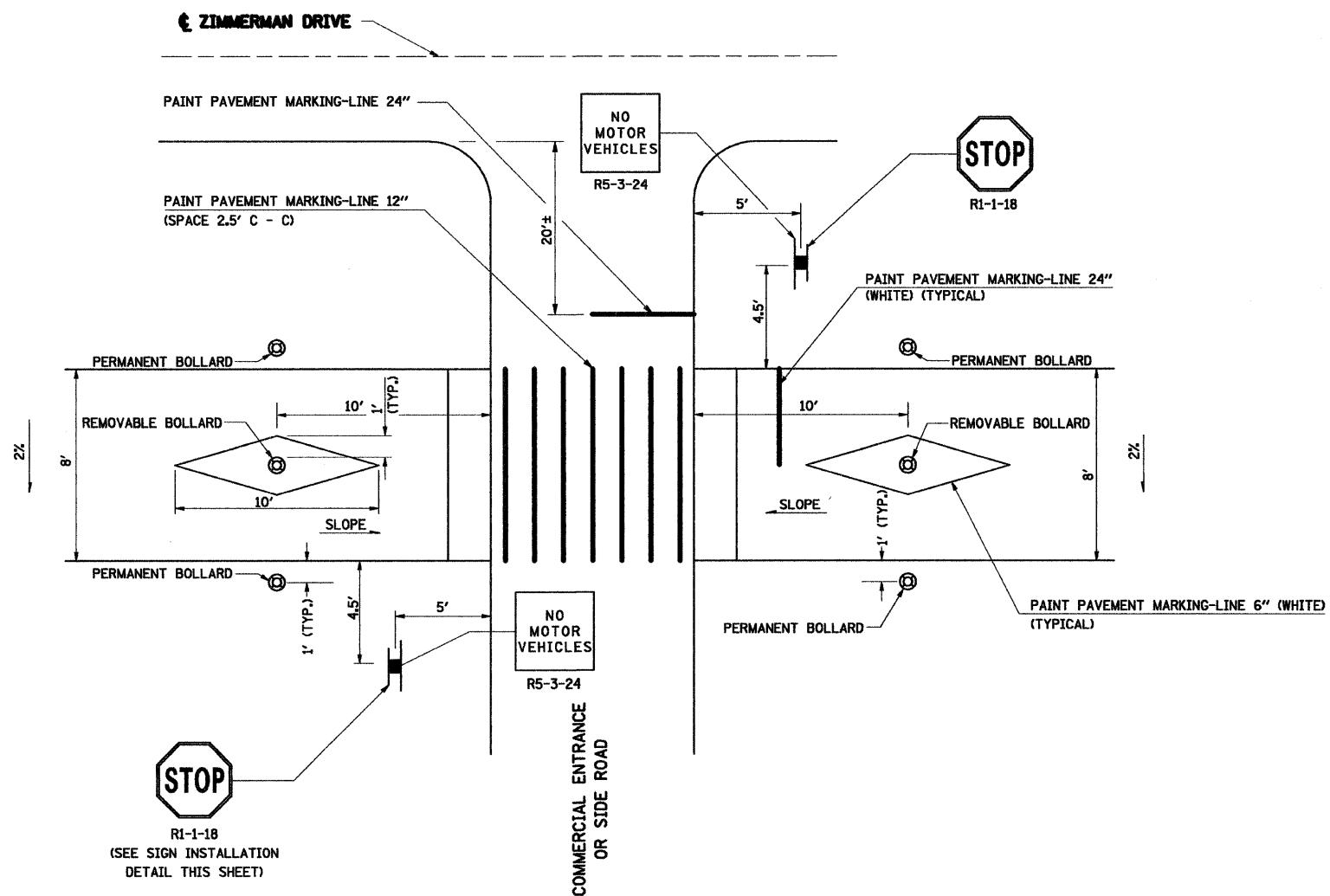


5" DIA. REMOVABLE BOLLARD DETAIL

ALL EXCAVATION, BACKFILL, CONCRETE AND PAINT IS INCIDENTAL TO THE COST OF THE GUARD POST.



4" DIA. BOLLARD DETAIL



SHARED USE PATH AT COMMERCIAL ENTRANCE OR SIDE ROAD CROSSING DETAIL
NOT TO SCALE

FILE NAME =	USER NAME = IE Consultants	DESIGNED -	REVISED -	VILLAGE OF SHERMAN	ZIMMERMAN DRIVE SHARED USE PATH CROSSING DETAILS	F.A. RTE.	SECTION	COUNTY	TOTAL SHEETS	SHEET NO.
G:\S07009-01\cad\Zimmerman\7009-01.Deta	103.SHT	DRAWN -	REVISED -			08-00014-00-SW	SANGAMON	47	31	
PLOT SCALE = 1/8" = 1'-0"		CHECKED -	REVISED -			CONTRACT NO. 93486				
PLOT DATE = 2/12/2009		DATE -	REVISED -			SCALE:	SHEET NO. OF SHEETS STA. TO STA.	FED. ROAD DIST. NO.	ILLINOIS FED. AID PROJECT	