

F.A.S. RTE.	SECTION	COUNTY	TOTAL SHEETS	SHEET NO.
642	99-00124-03-PV	COLES	97	5
STA. TO STA.		FED. AID PROJECT		

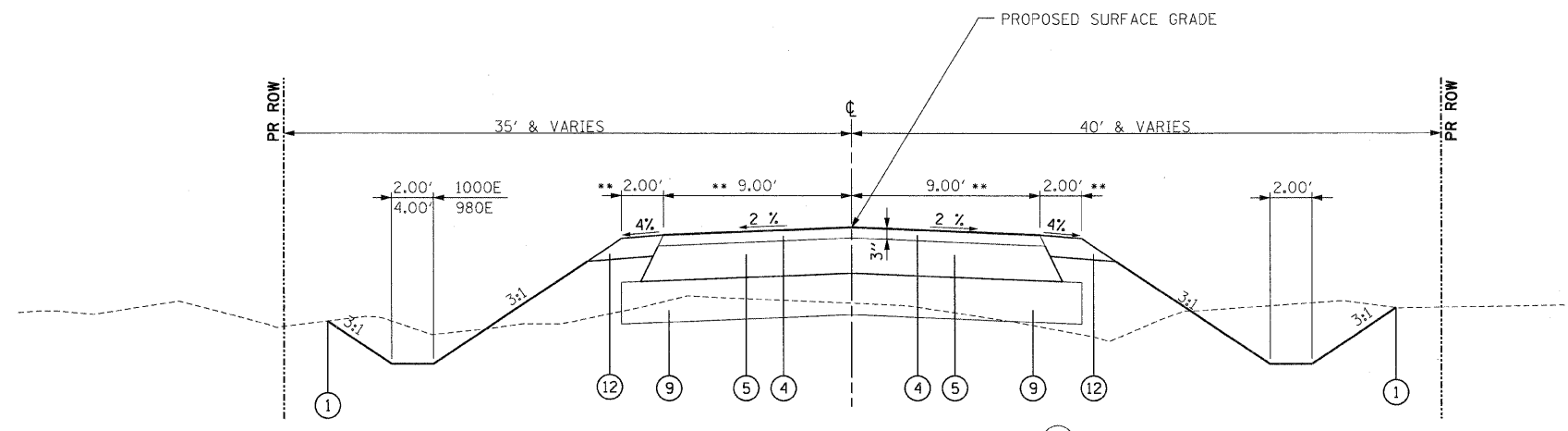
PAVEMENT DESIGN INFORMATION
 C.H. 28:
 DESIGN PERIOD = 20 YRS.
 STRUCTURAL DESIGN TRAFFIC = 1765 (YEAR 2015)
 P.V. = 1553, S.U. = 124, M.U. = 88
 CLASS III ROAD
 SUBGRADE SUPPORT RATING = POOR

980E & 1000E:
 DESIGN PERIOD = 20 YRS.
 STRUCTURAL DESIGN TRAFFIC = 205 (YEAR 2015)
 P.V. = 180, S.U. = 19, M.U. = 6
 CLASS IV ROADS
 SUBGRADE SUPPORT RATING = POOR

* HOT-MIX ASPHALT PAVEMENT (FULL-DEPTH) 8" CONSISTS OF:
 HOT-MIX ASPHALT SURFACE COURSE, IL 9.5, MIX "D", N50, 2"
 HOT-MIX ASPHALT BINDER COURSE, IL 19, N50, 2 1/4"
 HOT-MIX ASPHALT BINDER COURSE, IL 19, N50, 3 3/4"

- ① EXISTING GROUND
- ② HOT-MIX ASPHALT PAVEMENT (FULL-DEPTH) 11"
- ③ * HOT-MIX ASPHALT PAVEMENT (FULL-DEPTH) 8"
- ④ POLYMERIZED HOT-MIX ASPHALT SURFACE COURSE, MIX "C", N50
- ⑤ AGGREGATE BASE COURSE, TYPE A 10"
- ⑨ PROCESSING MODIFIED SOIL 12"
- ⑩ SUBBASE GRANULAR MATERIAL, TYPE C (COST INCLUDED IN ⑨)
- ⑪ HOT-MIX ASPHALT SHOULDERS, 8"
- ⑫ AGGREGATE SHOULDERS, TYPE A
- ⑬ AGGREGATE SHOULDERS, TYPE B 6"

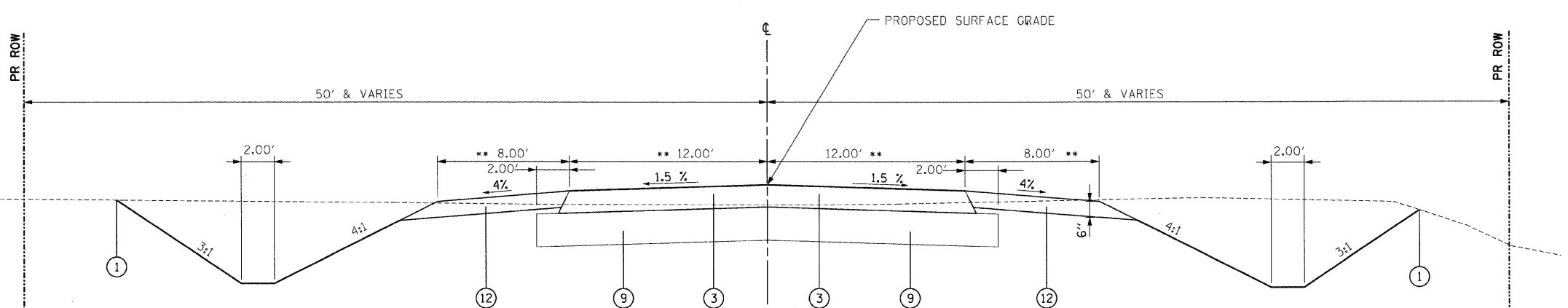
NOTES : 1 SEE CROSS SECTIONS FOR DITCH ELEVATIONS
 2 TRANSITION PROPOSED TYPICAL SECTION WIDTHS TO EXISTING WIDTHS IN 100' AT THE BEGINNING AND/OR ENDS OF THE IMPROVEMENT.



TOWNSHIP ROADS : (C) ** SEE NOTE 2, THIS SHEET

980E - STA. 7+00.00 TO STA. 10+00.00
 SEE INTERSECTION DETAIL, SHEET NO. 32, FOR STA. 9+37.77 TO STA. 10+00.00

1000E - STA. 10+00.00 TO STA. 12+25.00
 SEE INTERSECTION DETAIL, SHEET NO. 32, FOR STA. 10+00.00 TO STA. 10+62.19



COUNTY HIGHWAY : (B) ** SEE NOTE 2, THIS SHEET

C.H. 28 - STA. 81+54.32 TO STA. 98+94.04
 SEE INTERSECTION DETAIL, SHEET NO. 33, FOR STA. 88+29.39 TO STA. 91+80.18

REVISIONS	
NAME	DATE

ILLINOIS DEPARTMENT OF TRANSPORTATION
 PROPOSED TYPICAL SECTIONS
 TOWNSHIP ROADS / COUNTY HIGHWAY
 FAS 642
 SEC NO. 99-00124-03-PV
 COLES COUNTY, ILLINOIS

SCALE: NOT TO SCALE
 DATE 03/30/2009
 DRAWN BY SKM
 CHECKED BY JWM



03/30/2009
 I:\97 Jobs\97s2028b\Civil\Sheet\c-507-03typ.dgn
 LAYOUT SKM 12/26/03
 DRAWN SKM 12/26/03
 REVIEWED JWM 01/05/04