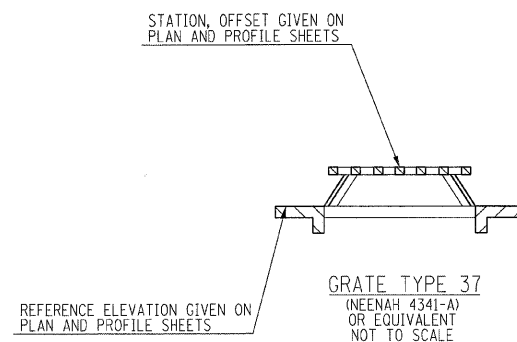
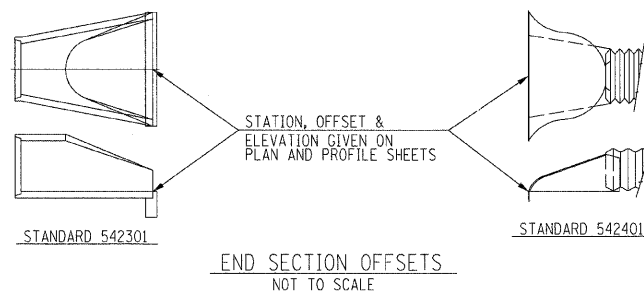
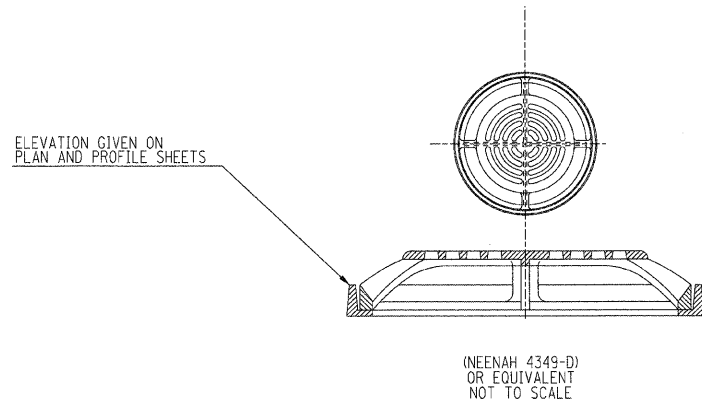


F.A.S. RITE.	SECTION	COUNTY	TOTAL SHEETS	SHEET NO.
642	99-00124-03-PV	COLES	97	11
STA.	TO STA.			
FED. ROAD DIST. NO.	ILLINOIS	FED. AID PROJECT		

CULVERT SCHEDULE

STATION	ROADWAY	PIPE CULVERTS		BOX CULVERTS			END SECTIONS					TRENCH BACKFILL (CY)			
		TY 1, RCCP 36" (FOOT)	CS/A, ERS, TY 1 (FOOT)	PRECAST CONC. (FOOT)			PRECAST REINF. CONC. FLARED END SECTIONS 36" (EACH)		METAL END SECT., ERS (EA)		PRECAST CONC. BOX CULV END SECTIONS 6'x3' (EACH)		CAST IN PLACE BOX CULVERT END SECTIONS (EACH)	GRATING FOR PRECAST CONC BOX CULV END SECTIONS 6'x3' (EA)	
				24"	36"	6'x3'	6'x3' (M273)	8'x5'	24"	36"					
287+30.00	CH18										2				
289+58.18	CH18, F.E.		70						2						
290+43.07	CH18, F.E.		70						2						
312+39.00	CH18	82								2			15		
315+00.00	CH18, F.E.		40							2					
316+09.00	CH18			72						2		2			
316+43.35	CH18, F.E.		46						2						
321+33.88	CH18, F.E.		40						2						
328+75.00	CH18	48								2			7		
329+85.00	CH18	48								2			7		
336+47.65	CH18, F.E.		40						2						
336+47.65	CH18, F.E.		40						2						
342+27.00	CH18, F.E.		46						2						
344+00.00	CH18, F.E.		53						2						
344+00.00	CH18, F.E.		53						2						
349+85.00	CH18				2 @ 88					4		4			
352+00.00	CH18, F.E.		40						2						
352+75.47	CH18, P.E.		29						2						
354+38.50	CH18, P.E.		31						2						
356+25.00	CH18, F.E.		28						2						
365+00.00	CH18, F.E.			46						2					
365+00.00	CH18, F.E.			30						2					
369+31.18	CH18/1075E			30						2					
371+50.00	CH18	60								2			29		
372+00.00	CH18	60								2			29		
373+00.00	CH18, F.E.		44						2						
373+00.00	CH18, F.E.		44						2						
382+30.00	CH18				2 @ 204					4		4			
383+20.00	CH18	110								2			86		
391+00.00	CH18	54								2			14		
404+30.00	CH18									1					
82+28.00	CH28		2 @ 50							4			14		
86+86.93	CH28, F.E.		34							2					
88+56.00	CH28	61								2			31		
97+64.00	CH28		51							2			6		
8+00.00	980E, F.E.					28				2		2			
TOTAL		523	673	332	656	28	224		17	32	14	12	• 2	12	238**

- SEE DOUBLE BOX CULVERT PLANS, SHEETS 47 & 48
- ** 238 CY OF TRENCH BACKFILL PLUS 819 CY OF TRENCH BACKFILL AT FIELD TILE LOCATIONS EQUALS TOTAL OF 1057 CY FOR PROJECT.



DRAINAGE STRUCTURE SCHEDULE

STATION	OFFSET	FRAME ELEVATION	GRATES		MANHOLES
			TYPE 37 GRATE	MANHOLES, SPECIAL, 5'-DIAMETER	TYPE A, 5' DIAMETER
383+20	91.21' RT	665.29		1	
384+00	49.00' RT	667.20	1		1
390+50	38.00' RT	666.62	1		1
398+00	31.00' RT	665.66	1		1
TOTALS			3	1	3

• SEE SPECIAL PROVISIONS

STORM SEWER SCHEDULE

STATION	INVERT ELEVATION	STATION	INVERT ELEVATION	STORM SEWER, CLASS A, TY. 2
383+20	659.29	384+00	659.14	75'
384+00	659.13	390+50	657.84	645'
390+50	657.83	398+00	656.34	745'
398+00	656.33	404+30	655.07	628'
TOTALS				2093'

REVISIONS	
NAME	DATE

ILLINOIS DEPARTMENT OF TRANSPORTATION
DRAINAGE SCHEDULE
 FAS 642
 SEC NO. 99-00124-03-PV
 COLES COUNTY, ILLINOIS

SCALE: NOT TO SCALE
 DATE: 03/30/2009
 DRAWN BY: MNM
 CHECKED BY: SKM



LAYOUT	SKM	12/26/03
DRAWN	MNM	12/26/03
REVIEWED	JMK	01/05/04