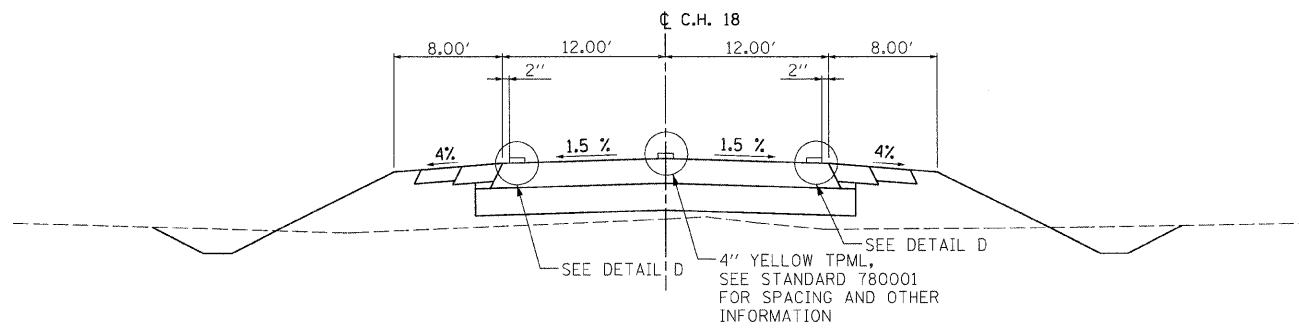
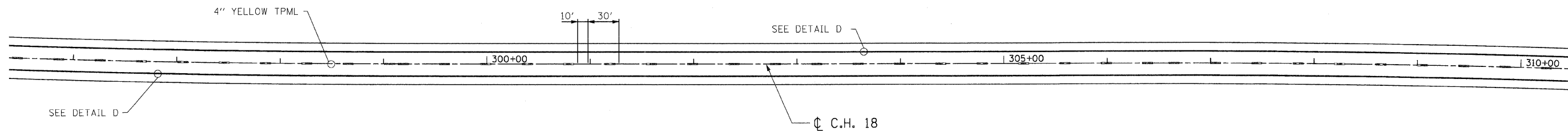
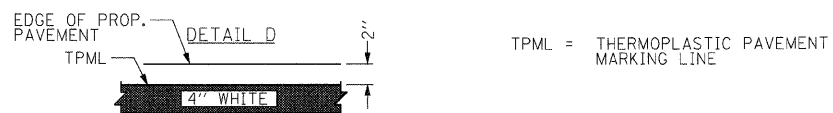
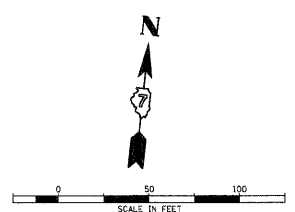


F.A. RTE.	SECTION	COUNTY	TOTAL SHEETS	SHEET NO.
642		COLES	97	35
STA.		TO STA.		
FED. ROAD DIST. NO.	ILLINOIS	FED. AID PROJECT		
• 99-00124-03-PV				



COUNTY HIGHWAY 18
STA. 278+00.00 TO STA. 394+50.00
INTERSECTION OMISSIONS (EOP MARKINGS ONLY)
STA. 315+84.59 TO STA. 317+02.59 (980E)
STA. 328+71.44 TO STA. 329+89.46 (1000E)
STA. 380+41.49 TO STA. 384+00.13 (C.H. 28)

NOTES:
CONTINUE THE PAVEMENT EDGE STRIPE TO THE FURTHEST RADIUS RETURN ON THE CROSSROADS.
CONTINUE THE CENTERLINE STRIPE THROUGH THE 980E AND 1000E INTERSECTIONS. OMIT C STRIPE @ C.H. 28 INTERSECTION.



REVISIONS	
NAME	DATE

ILLINOIS DEPARTMENT OF TRANSPORTATION
PAVEMENT MARKINGS
FAS 642
SEC NO. 99-00124-03-PV
COLES COUNTY, ILLINOIS
SCALE: HORIZ. - 1"=50'
DATE 03/30/2009
DRAWN BY DJP
CHECKED BY SKM