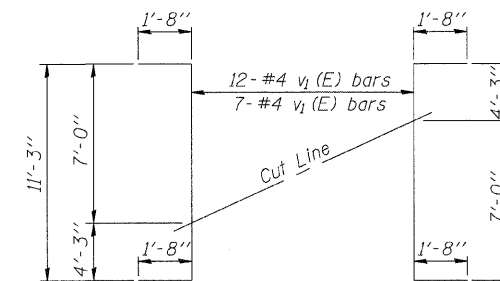
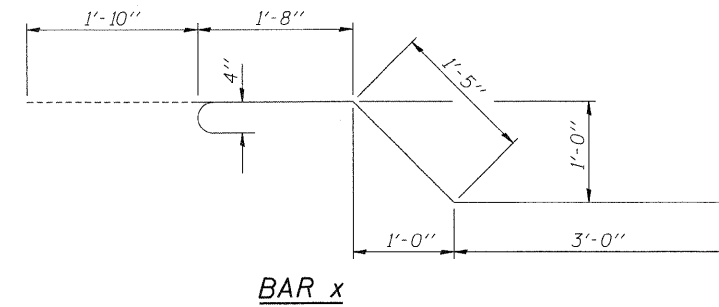
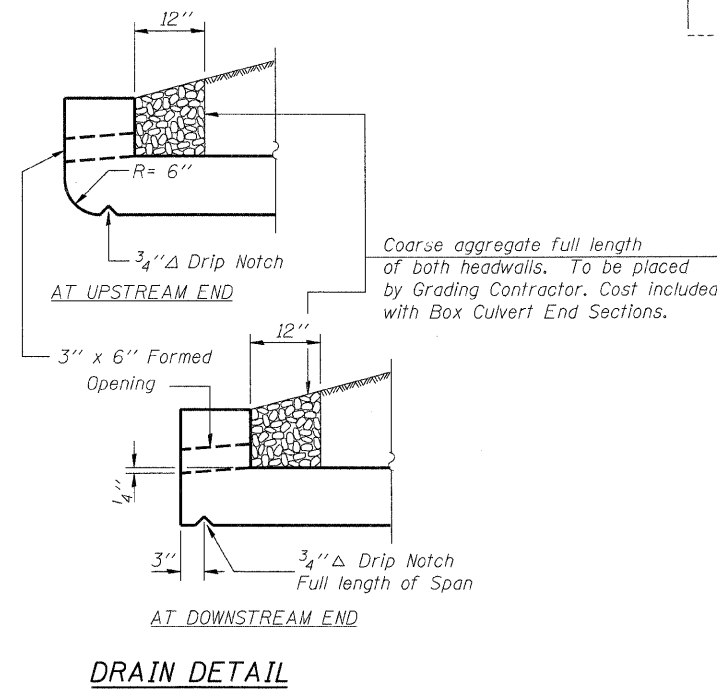
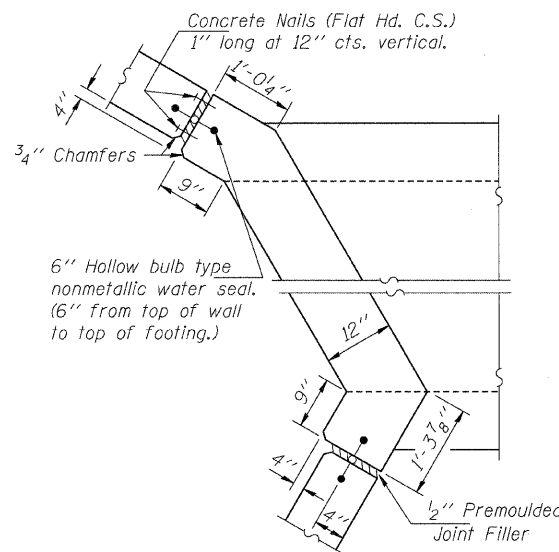


**BILL OF MATERIAL**

Bar	No.	Size	Length	Shape
a <sub>1</sub>	60	#6	20'-11"	
a <sub>2</sub>	82	#6	18'-10"	
b	16	#4	35'-6"	
d	50	#4	5'-4"	
h	60	#6	22'-5"	
h <sub>1</sub>	12	#6	16'-3"	
h <sub>2</sub>	36	#6	11'-2"	
h <sub>3</sub>	12	#6	6'-2"	
h <sub>4</sub>	4	#6	20'-3"	
h <sub>5</sub>	8	#4	11'-0"	
h <sub>6</sub>	8	#4	6'-0"	
h <sub>7</sub>	4	#4	11'-2"	
h <sub>8</sub>	4	#4	6'-4"	
h <sub>9</sub>	8	#6	21'-6"	
s	42	#4	4'-7"	
v	130	#4	6'-9"	
v <sub>1</sub>	19	#4	14'-7"	
v <sub>2</sub>	8	#4	7'-3"	
x	112	#4	7'-11"	
x <sub>1</sub>	12	#4	19'-11"	
x <sub>2</sub>	12	#4	7'-4"	
Box Culvert End Sections			Each	2
Precast Concrete Box Culvert 8'x5'			Foot	224



**FIELD CUTTING DIAGRAM**

Order v<sub>1</sub> full length. Cut as shown and use remainder of bar in other wingwall with the same length.

**GENERAL NOTES**

1. Reinforcement bars shall conform to the requirements of ASTM A-706 Gr. 60. See Special Provisions.
2. All construction joints shall be bonded.
3. Precast Concrete Box Culvert sections shall conform to the requirements of Article 540.06 of the Standard Specifications and the applicable requirements of AASHTO M 259.
4. Lifting holes shall be filled with concrete plugs and mastic after box sections are in place.
5. a<sub>1</sub> and a<sub>2</sub> bars in skew portion of slab shall be ordered full length cut to fit. Balance of bar to be used in opposite end of culvert.
6. h bars in slab shall be ordered full length cut to fit. Balance of bar to be used in opposite end of culvert.
7. Reinforcement bars, concrete nails, 6" hollow bulb type nonmetallic water seal, and 1/2" pre-molded joint filler shall be included with the cost of Box Culvert End Sections.

Corporate License Number 184-001-084

**DOUBLE BOX CULVERT DETAILS**  
FAS 642  
SECTION 99-00124-03-PV  
COLES COUNTY, ILLINOIS  
STATION 287+30.29

© Copyright Hanson Professional Services Inc. 2009



JOB#  
97S2028B  
DATE  
01/19/09

LAYOUT: MNM 09/09/03  
 DRAWN: DAP 09/19/03  
 REVIEWED: JNM 10/19/04  
 197 Jobs 97s2028B Struct Double Box Culvert.dgn  
 03/30/2009