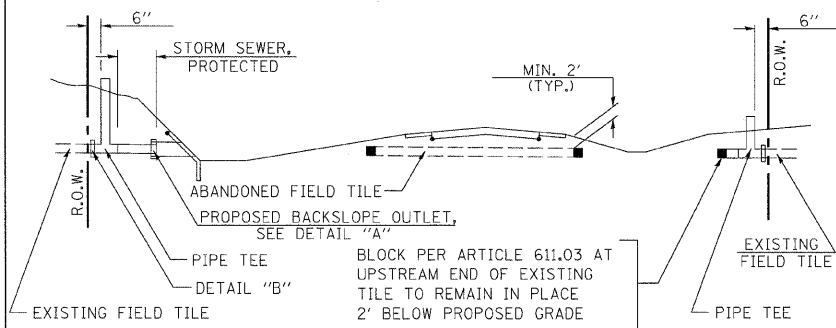


**DETAIL FOR TREATMENT OF EXISTING FIELD TILE SYSTEMS**

F.A.S. RTE.	SECTION	COUNTY	TOTAL SHEETS	SHEET NO.
642	99-00124-02-PV	COLES	97	55
STA.	TO STA.			
FED. ROAD DIST. NO.	ILLINOIS	FED. AID PROJECT		

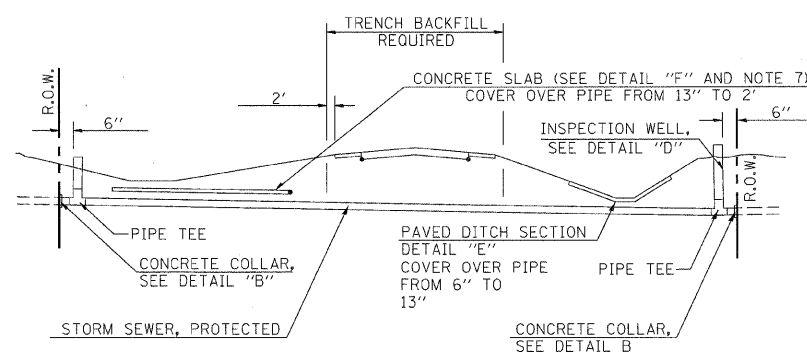
**GENERAL NOTES :**

1. LOCATION OF THE EXPLORATION TRENCH 52" DEPTH SHALL BE INSIDE THE PROPOSED NORTH OR WEST RIGHT OF WAY LINE EXCEPT WHEN AN EXISTING RIGHT OF WAY LINE IS FURTHER NORTH OR WEST. IN WHICH CASE, THE EXPLORATION TRENCH SHALL BE INSIDE THE EXISTING NORTH OR WEST RIGHT OF WAY LINE, OR AS DIRECTED BY THE ENGINEER.
2. EXISTING FIELD TILE ENCOUNTERED BY EXPLORATION TRENCH SHALL BE INSPECTED BY THE ENGINEER FOR UNOBSTRUCTED FLOW WITHIN THE LIMITS OF THE RIGHT-OF-WAY.
3. ALL FIELD TILE THAT CROSSES THE PROPOSED ROADWAY SHALL BE REPLACED WITHIN THE LIMITS OF THE RIGHT-OF-WAY IN ACCORDANCE WITH METHOD "B" AND AT THE DIRECTION OF THE ENGINEER.
4. INSPECTION WELLS SHALL BE CONSTRUCTED APPROXIMATELY 6" INSIDE OF BOTH RIGHT-OF-WAY LINES AT ALL FIELD TILE LOCATIONS.
5. EXISTING FIELD TILE ABANDONED UNDER EXISTING PAVEMENTS OR PAVED SHOULDERS SHALL BE FILLED WITH FLOWABLE GROUT AS DIRECTED BY THE ENGINEER. THIS WORK WILL BE PAID FOR ACCORDING TO ARTICLE 109.04.
6. NON-CIRCULAR FIELD TILE SHALL BE REPLACED WITH STORM SEWER, PROTECTED AT AT LEAST THE SAME CROSS SECTIONAL AREA. ALL EXISTING FIELD TILE SHALL BE REPLACED WITH STORM SEWER OF THE TYPE REQUIRED FOR THE MINIMUM DEPTH OF COVER.
7. THE 6" CONCRETE SLAB OR DITCH LINING SHALL BE POURED THE LENGTH OF THE TRENCH AT ALL DITCH FLOW LINE LOCATIONS WITHIN THE RIGHT OF WAY WITH LESS THAN 2' OF EARTH COVER. MISCELLANEOUS CONCRETE SHALL BE USED ACCORDING TO SECTION 611.
8. ALL MISCELLANEOUS SLABS, APRONS, AND DITCH LININGS SHALL BE REINFORCED WITH WELDED WIRE FABRIC AS SHOWN FOR PAVED DITCH IN STANDARD 606401. THE WELDED WIRE FABRIC SHALL BE INCLUDED IN THE COST FOR PAVED DITCH (SPECIAL) OR MISCELLANEOUS CONCRETE.
9. HEADWALL FOR BACKSLOPE OUTLET MAY BE USED FOR PIPE DRAIN DIAMETERS UP TO 10". SPECIAL DESIGNS WILL BE REQUIRED FOR LARGER SIZES.
10. THE INSPECTION WELL LID FOR P.C.C. PIPE SHALL BE CONSTRUCTED OF 3/8" CAST IRON PROVIDED WITH A 1" DIAMETER HOLE IN CENTER. THE LID FOR THE OTHER PIPE MATERIALS SHALL BE A GRATE ASSEMBLY PREFABRICATED FOR AND COMPATIBLE WITH THE PIPE SYSTEM.
11. SEE SECTION 611 OF THE STANDARD SPECIFICATIONS FOR WHEN TO USE FIELD TILE JUNCTION VAULTS. FIELD TILE JUNCTION VAULTS SHALL BE CONSTRUCTED ACCORDING TO THE DETAILS SHOWN ON THIS SHEET AND THE APPLICABLE PORTIONS OF SECTION 602. THE DEPTH OF THE JUNCTION VAULT SHALL BE VERIFIED IN THE FIELD BY THE ENGINEER. STORM SEWER SPECIAL PIPE SHOULD BE LAID ON A MINIMUM GRADE OF 1%. EXCAVATION, BEDDING AND BACKFILL SHALL BE INCLUDED IN THE CONTRACT UNIT PRICE PER EACH FOR FIELD TILE JUNCTION VAULTS, 2' DIA.



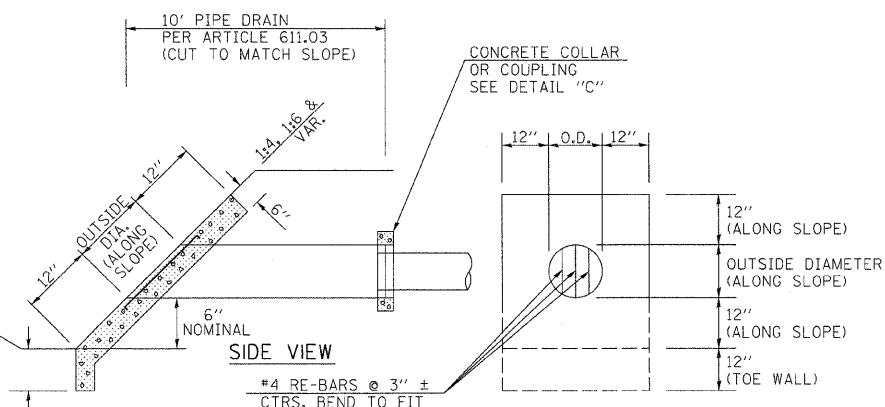
**METHOD 'A' (2 LANE)**

STORM SEWER FLOW LINE ABOVE PROPOSED DITCH FLOW LINE



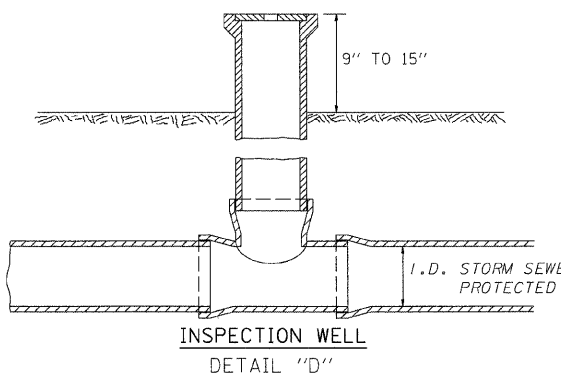
**METHOD 'B' (2 LANE)**

STORM SEWER LESS THAN 2' BELOW DITCH FLOW LINE AND STORM SEWERS CROSSING UNDER PAVEMENT AND PAVED DITCH

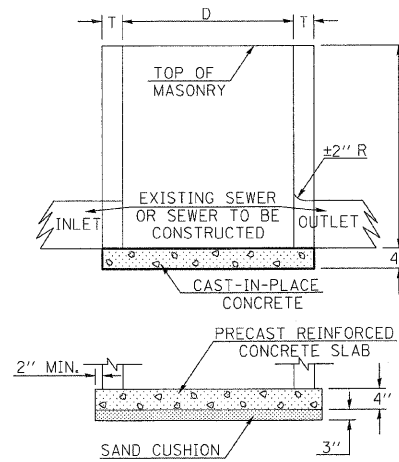


**DETAIL OF RE-BARS**

**HEADWALL FOR BACKSLOPE OUTLET - DETAIL "A"**



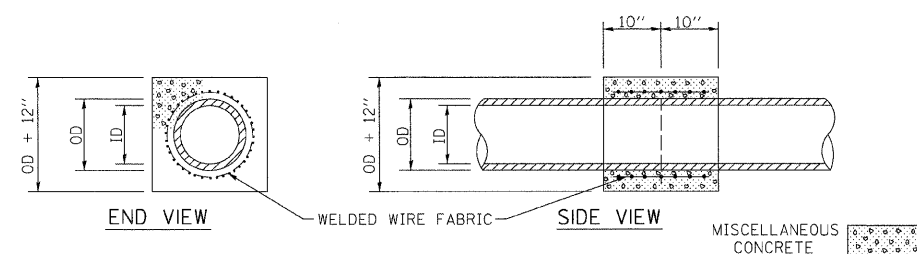
**INSPECTION WELL DETAIL "D"**



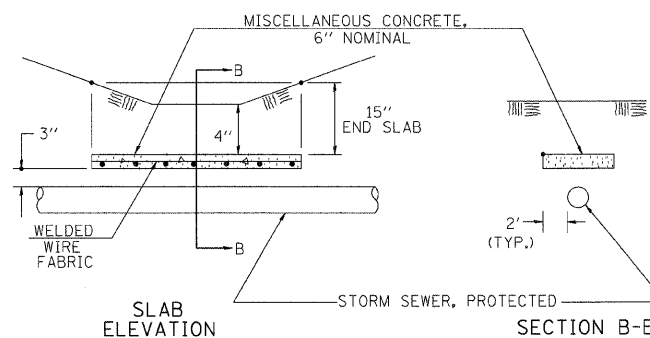
**ALTERNATE BOTTOM SLAB**

D	Do (MIN.)	REINFORCEMENT "AS" W.W.F. EACH DIRECTION
2'	D <sub>SL</sub>	.20 IN. 2/FT.
3'		.20 IN. 2/FT.

ALTERNATE MATERIALS FOR WALLS	T (MIN.)
PRECAST REINFORCED CONCRETE SECTION	3"
CONCRETE MASONRY UNIT	5"
CAST IN PLACE CONCRETE	6"
BRICK MASONRY	8"

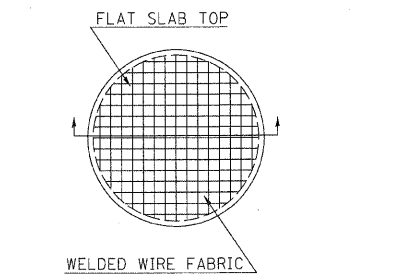


**CONCRETE COLLAR DETAIL "B"**



**SLAB ELEVATION**

**CONCRETE SLAB DETAIL "E"**

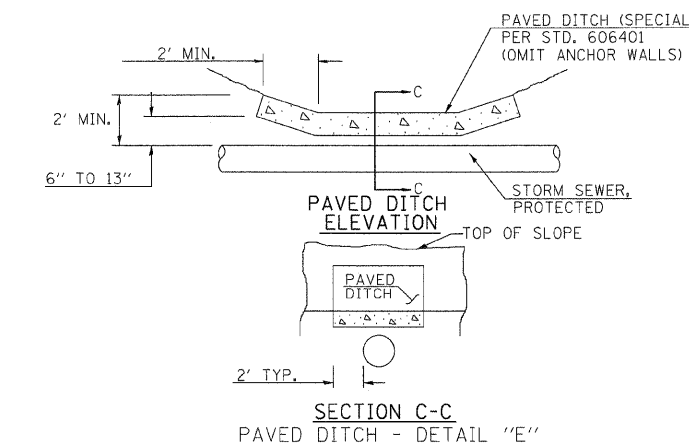


**FIELD TILE JUNCTION VAULT DETAIL**

REVISIONS	
NAME	DATE

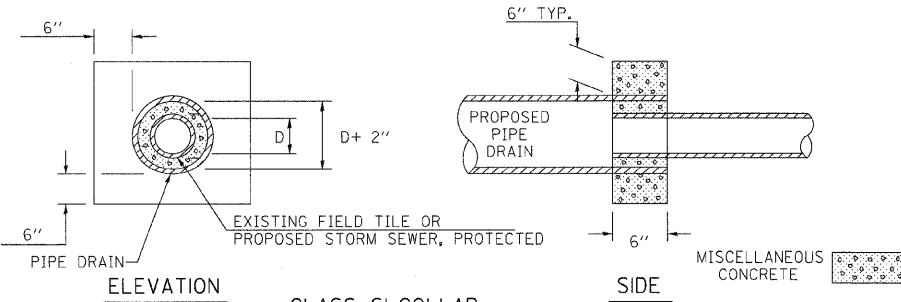
ILLINOIS DEPARTMENT OF TRANSPORTATION  
**FIELD TILE DETAIL**  
 FAS 642  
 SEC NO. 99-00124-03-PV  
 COLES COUNTY, ILLINOIS

SCALE: NOT TO SCALE  
 DATE: 03/30/2009  
 DRAWN BY: DAP/SKM  
 CHECKED BY: JWM



**SECTION C-C**

**PAVED DITCH - DETAIL "E"**



**CLASS SI COLLAR DETAIL "C"**



© Copyright Hanson Professional Services Inc. 2009

03/30/2009	DP/JM	12/26/03
1997/10/05/04	D.P.	12/26/03
	REVIEWED	JMM
	DATE	01/05/04