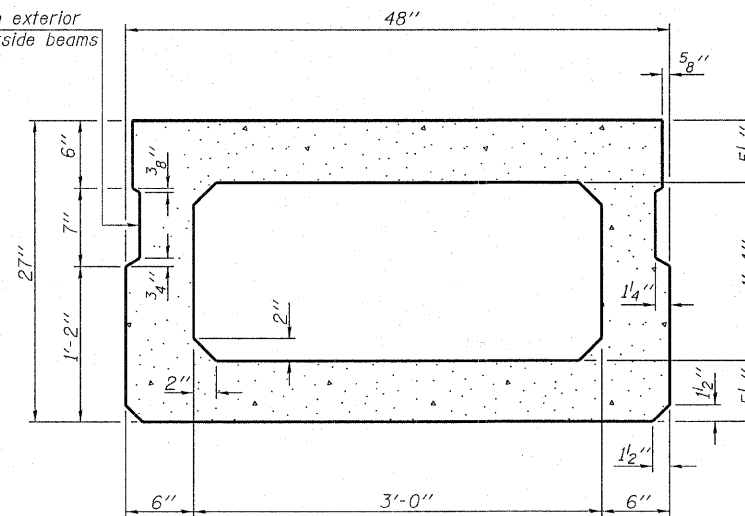
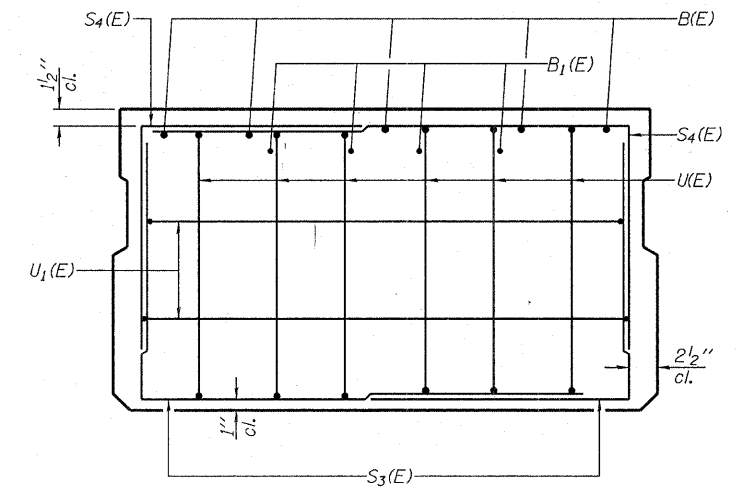


SECTION C-C

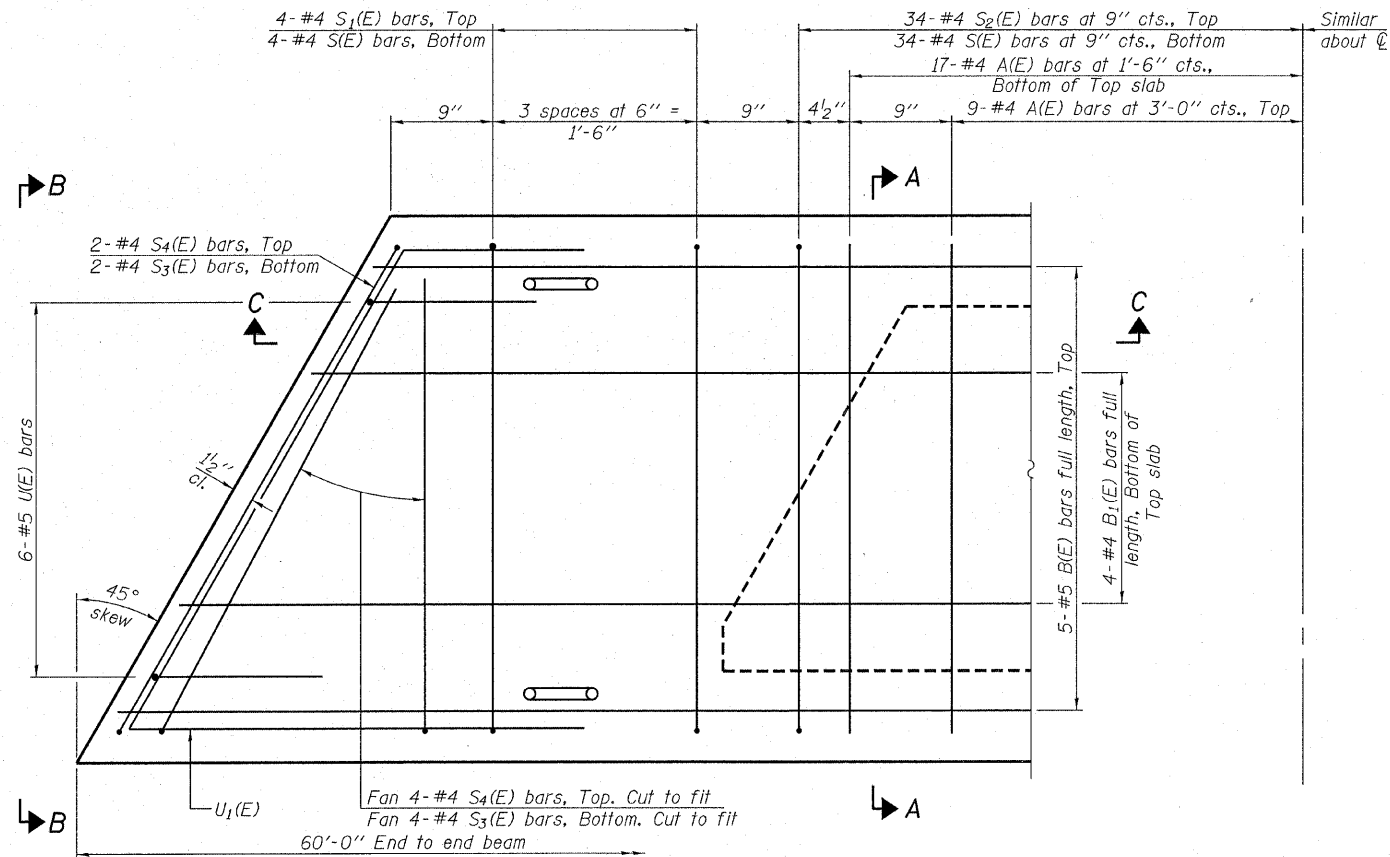
Omit key on exterior face of outside beams



SECTION A-A  
(Showing dimensions)

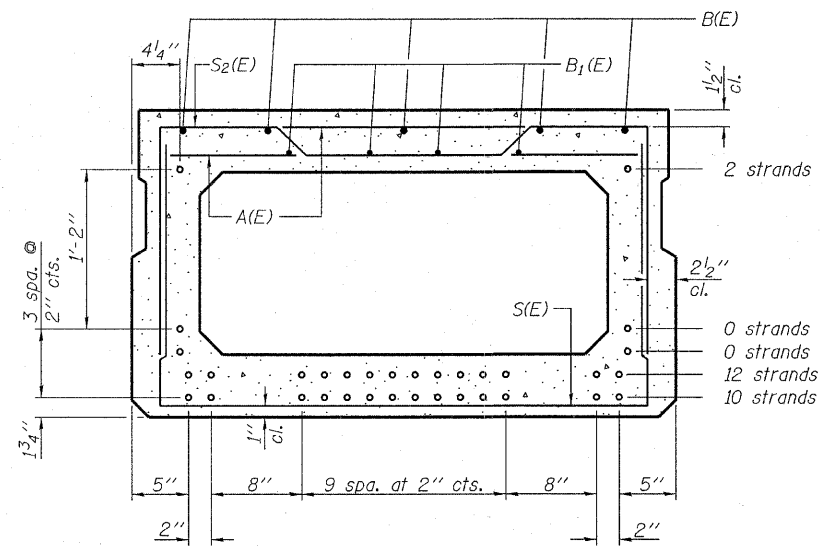


VIEW B-B



PLAN VIEW

Note: Spacing of S(E) and S2(E) bars may be adjusted up to 4" in the immediate area of the transverse tie diaphragms to miss the block outs for the transverse ties.



SECTION A-A

(Showing reinforcement and permissible strand locations)  
Note: Place the number of strands specified in each row symmetrically about the centerline of beam in the permissible strand locations shown.

**BAR LIST**  
**ONE BEAM ONLY**  
(For information only)

Bar	No.	Size	Length	Shape
A(E)	52	#4	3'-7"	—
B(E)	5	#5	59'-8"	—
B1(E)	4	#4	59'-8"	—
S(E)	76	#4	7'-5"	┌
S1(E)	8	#4	6'-11"	┌
S2(E)	68	#4	7'-2"	┌
S3(E)	12	#4	3'-6"	┌
S4(E)	12	#4	3'-6"	┌
U(E)	12	#5	4'-6"	┌
U1(E)	4	#4	11'-0"	┌

Note: See sheet 3 & 4 of 9 for additional details and Bill of Material.

**SUPERSTRUCTURE**  
**27" x 48" PPC DECK BEAM**  
**STRUCTURE NO. 051-3283**

DESIGNED - S.M.S.
CHECKED - S.W.M.
DRAWN - D.T.M.
CHECKED - D.A.B.

PD-2748-L 5-16-08

**HAMPTON, LENZINI & RENWICK, INC.**  
CIVIL & STRUCTURAL ENGINEERS  
LAND SURVEYORS

**HLR** 3085 STEVENSON DRIVE, SUITE 201  
SPRINGFIELD, ILLINOIS 62703  
(217) 546-3400

PROJECT NUMBER: 08.0148.130 DATE: 01/15/09

SHEET NO. 2	C.H.	SECTION	COUNTY	TOTAL SHEETS	SHEET NO.
		17	05-00102-00-BR	LAWRENCE	12
9 SHEETS	CONTRACT NO. 955B1		FED. ROAD DIST. NO. ILLINOIS FED. AID PROJECT		