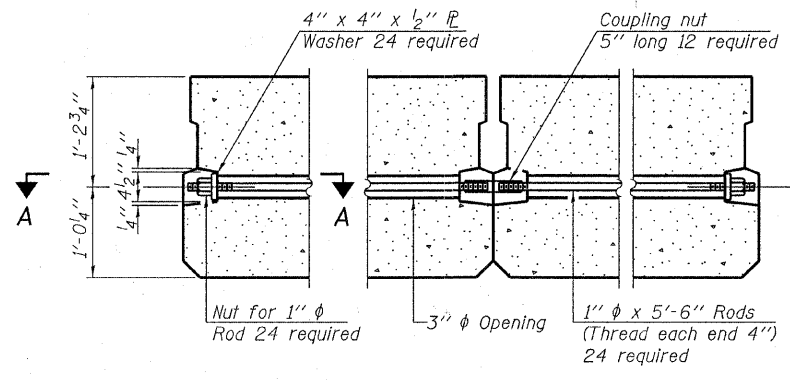
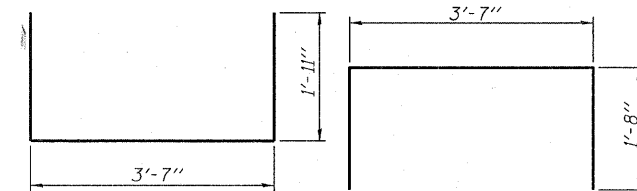


SECTION A-A

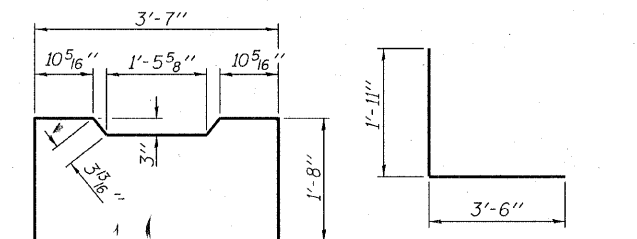


TYPICAL TRANSVERSE TIE ASSEMBLY



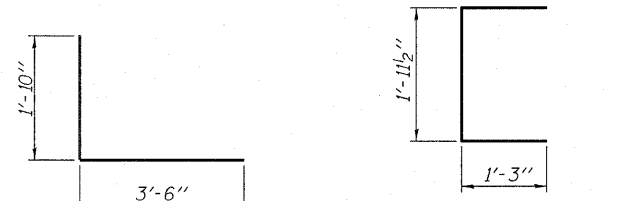
BAR S(E)

BAR S₁(E)



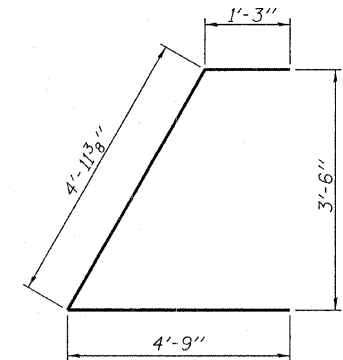
BAR S₂(E)

BAR S₃(E)

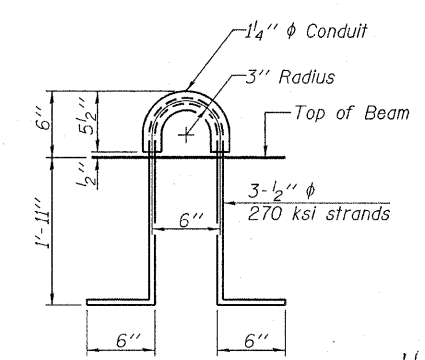


BAR S₄(E)

BAR U(E)



BAR U₁(E)

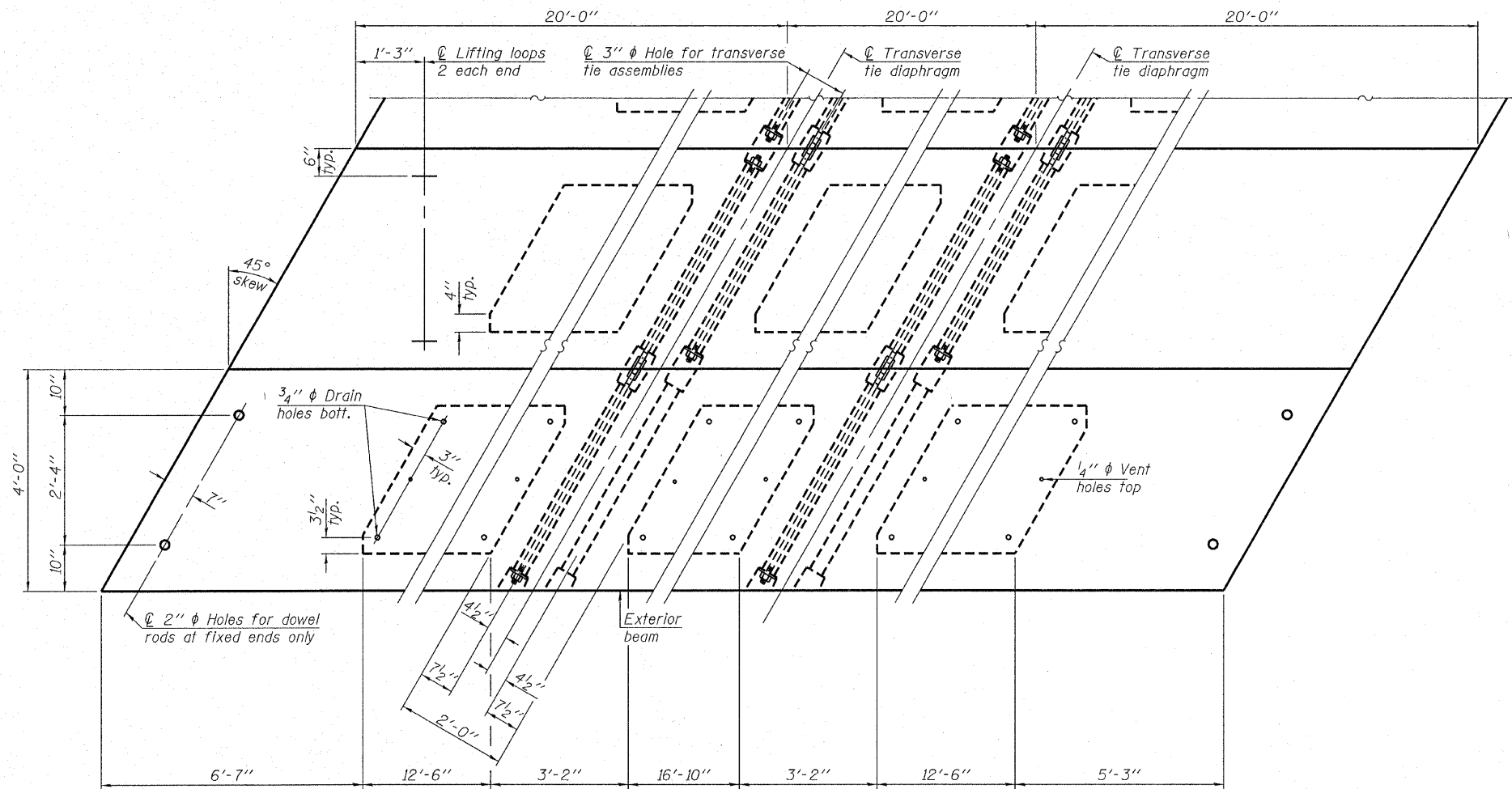


LIFTING LOOP DETAIL

BILL OF MATERIAL

Precast Prestressed Conc. Deck Bms. (27" depth)	Sq. Ft.	1,680
---	---------	-------

**SUPERSTRUCTURE
27" X 48" PPC DECK BEAM DETAILS
STRUCTURE NO. 051-3283**



PLAN VIEW

Note: Connect beams in pairs with the transverse tie configuration shown.

NOTES

- Prestressing steel shall be uncoated high strength, low relaxation 7-wire strand, Grade 270. The nominal diameter shall be 1/2" and the nominal cross-sectional area shall be 0.153 sq. in.
- The 1" ϕ rods in the transverse tie assembly shall be tightened to a snug fit and the threads set. Pockets on exterior faces of bridge shall be filled with grout after transverse tie assembly is in place.
- Reinforcement bars shall conform to ASTM A 706, Grade 60. (See Special Provisions).
- Two 1/8" fabric adjusting shims of the dimensions of the exterior bearing pad shall be provided for each bearing pad location.
- A minimum 2 1/2" ϕ lifting pin shall be used to engage the lifting loops during handling.
- Corrosion Inhibitor, per Article 1020.05(b)(12) and 1021.06 of the Standard Specifications, shall be used in the concrete for precast prestressed concrete deck beams.
- Compressive strength of prestressed concrete, $f'c$, shall be 6000 psi.
- Compressive strength of prestressed concrete at release, $f'cl$, shall be 5000 psi.

DESIGNED - S.M.S.
CHECKED - S.W.M.
DRAWN - D.T.M.
CHECKED - D.A.B.

HAMPTON, LENZINI & RENWICK, INC.
CIVIL & STRUCTURAL ENGINEERS
LAND SURVEYORS

HLR 3085 STEVENSON DRIVE, SUITE 201
SPRINGFIELD, ILLINOIS 62703
(217) 546-3400

PROJECT NUMBER: 08.0148.130 DATE: 01/15/09

SHEET NO. 3 9 SHEETS	C.H.	SECTION	COUNTY	TOTAL SHEETS	SHEET NO.
	17	05-00102-00-BR	LAWRENCE	12	6
			CONTRACT NO. 95581		
FED. ROAD DIST. NO.		ILLINOIS	FED. AID PROJECT		