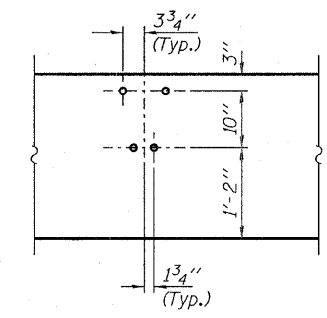
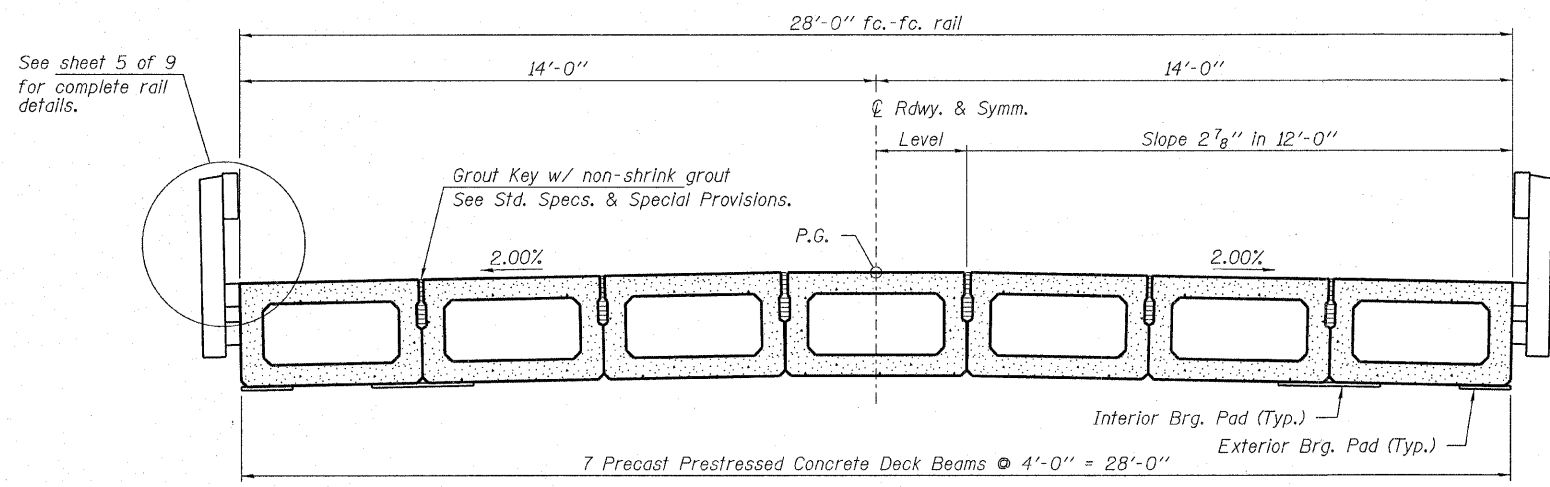


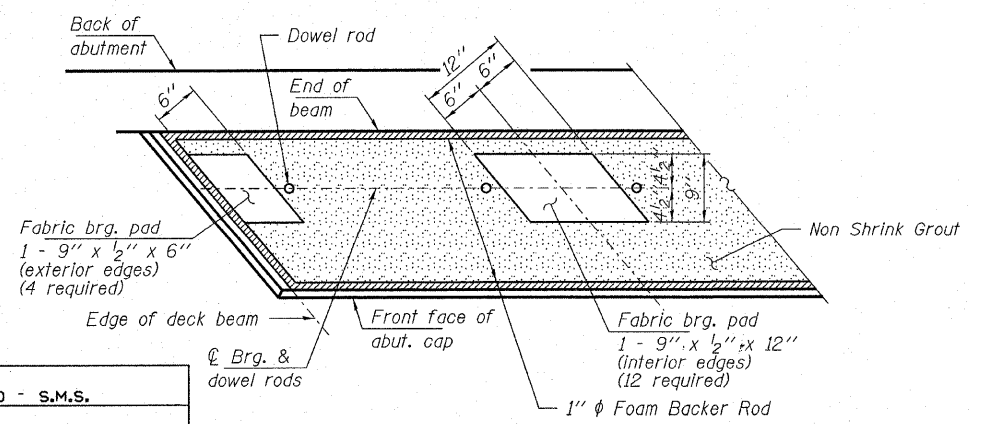
ELEVATION
Showing Rail Post Spaces
See sheet 5 of 9 for Railing Details.



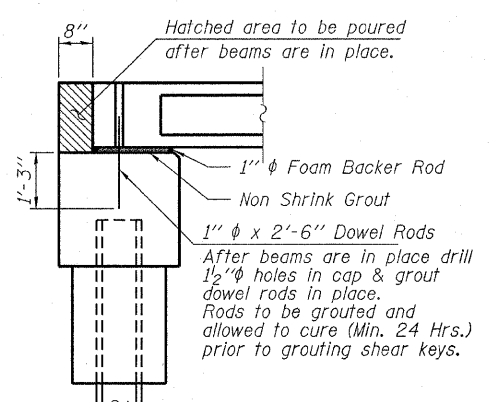
DETAIL A



CROSS SECTION
See sheets 2 & 3 of 9 for Superstructure.



GRAUTED BEARING SEAT DETAIL AT ABUTMENT
Cost included with PPC deck beams.



SECTION AT ABUTMENTS
© Rt. L's

DESIGNED - S.M.S.
CHECKED - S.W.M.
DRAWN - D.T.M.
CHECKED - D.A.B.

SUPERSTRUCTURE DETAILS
STRUCTURE NO. 051-3283

HAMPTON, LENZINI & RENWICK, INC. CIVIL & STRUCTURAL ENGINEERS LAND SURVEYORS HLR 3085 STEVENSON DRIVE, SUITE 201 SPRINGFIELD, ILLINOIS 62703 (217) 546-3400 PROJECT NUMBER: 08.0148.130 DATE: 01/15/09	SHEET NO. 4	C.H.	SECTION	COUNTY	TOTAL SHEETS	SHEET NO.
	9 SHEETS	17	05-00102-00-BR	LAWRENCE	12	7
			CONTRACT NO. 95581			
		FED. ROAD DIST. NO.		ILLINOIS FED. AID PROJECT		