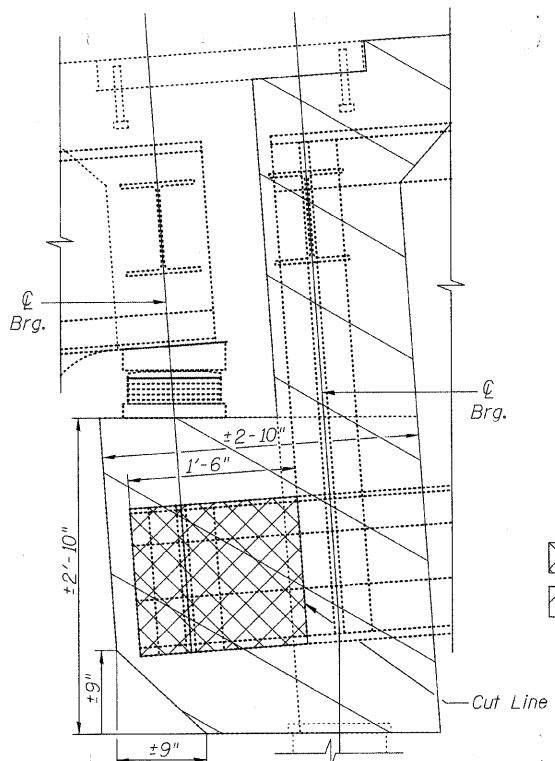
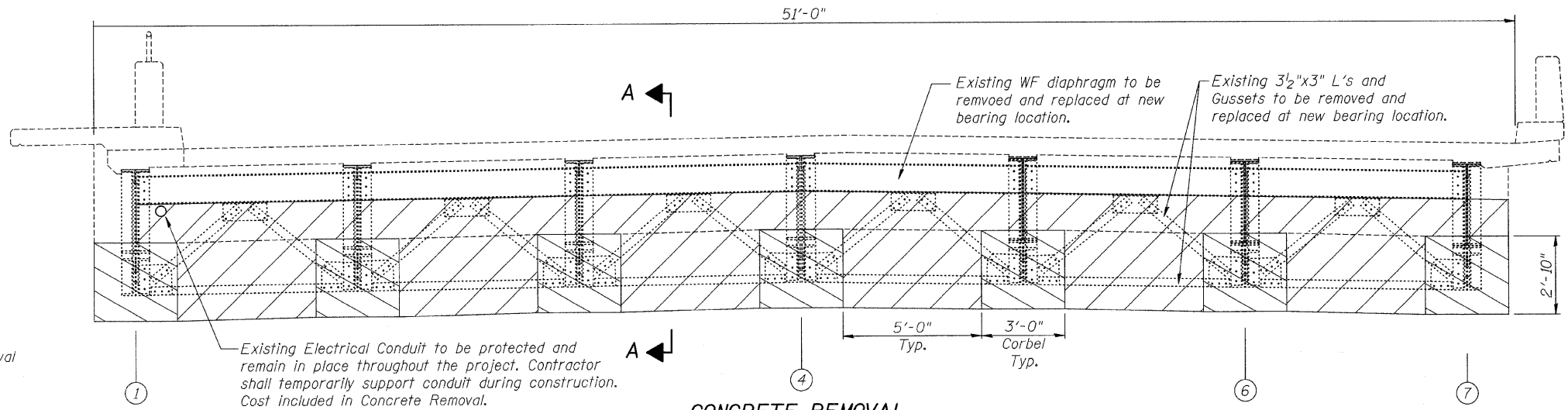


F.A.U. RTE.	SECTION	COUNTY	TOTAL SHEETS	SHEET NO.
7369	08-00503-00-BR	MACON	24	15
STA.	TO STA.			
FED. ROAD DIST. NO.	ILLINOIS	FED. AID PROJECT		

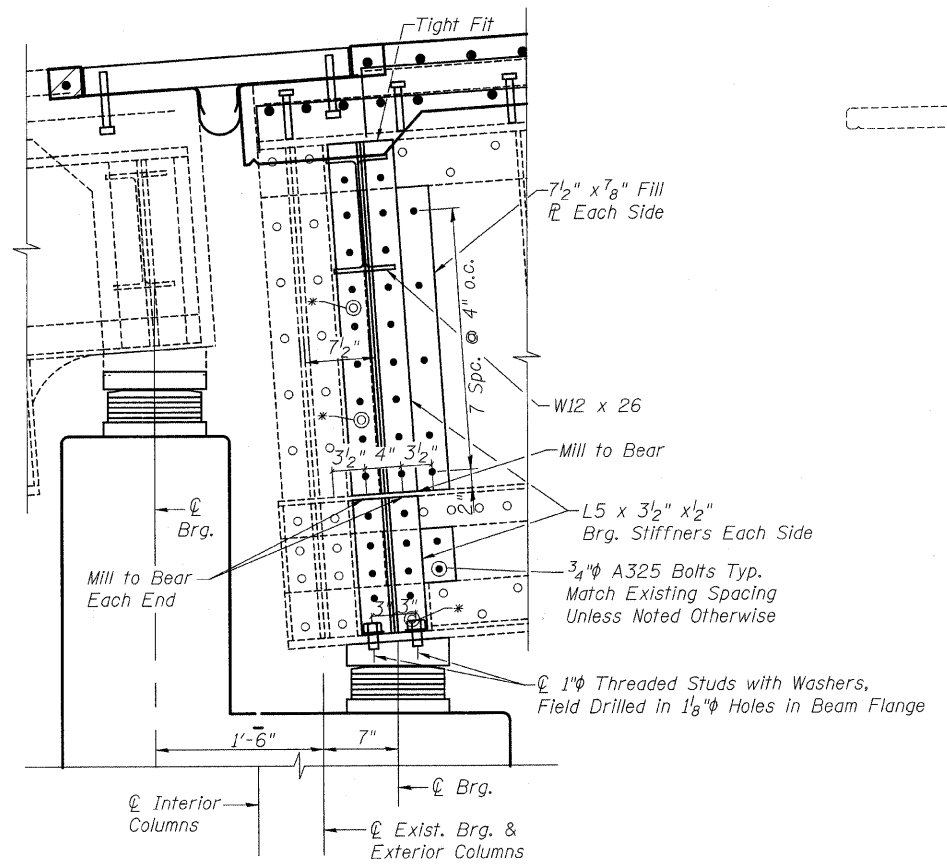


SECTION A-A
(Pier 3 Looking North)
(Pier 6 Opp. Hand)

Removal Legend
 Structural Steel Removal
 Concrete Removal

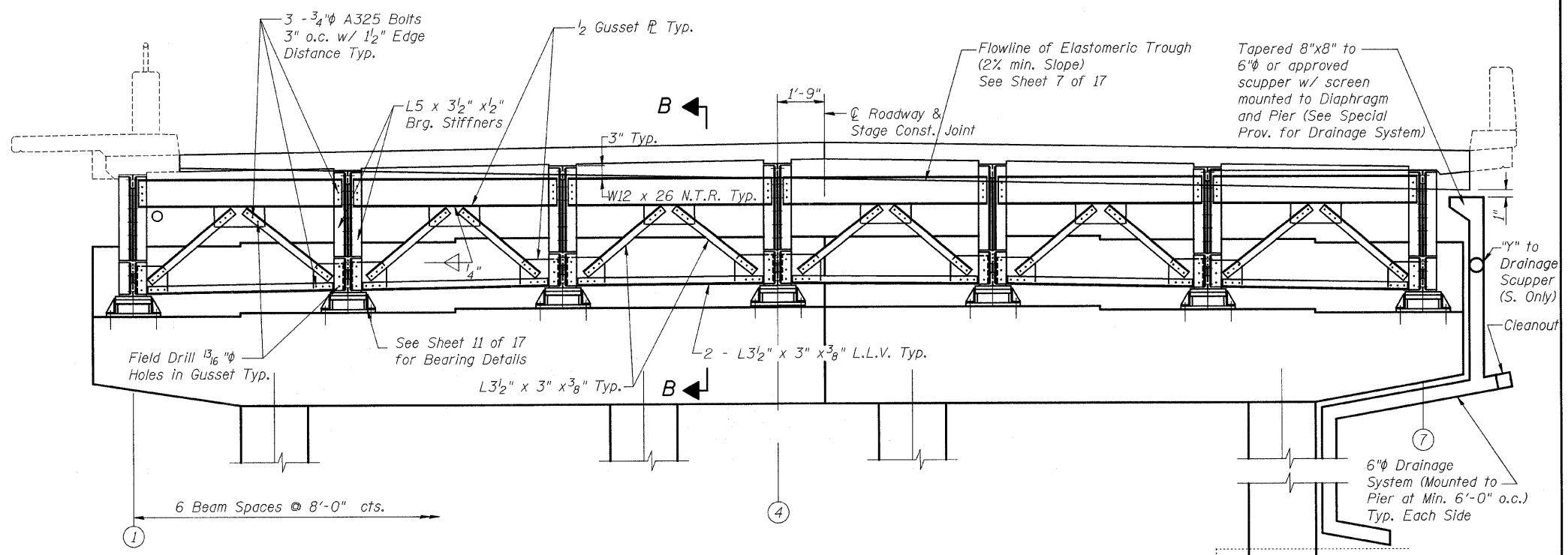


CONCRETE REMOVAL
(Pier 3 Looking East)
(Pier 6 Similar)



SECTION B-B
(Pier 3 Looking North)
(Pier 6 Opp. Hand)

*Remove Existing Rivet Head, Leaving Shaft



PIER FRAME DIAPHRAGM
(Pier 3 Looking East)
(Pier 6 Similar)

NOTES

The cost of structural steel removal shall be included in the cost of Concrete Removal.

CORBEL REMOVAL AND DIAPHRAGM DETAILS
 GARFIELD AVENUE OVER
 CANADIAN NATIONAL RAILROAD
 CITY OF DECATUR
 MACON COUNTY
 STA. 12+59.88
 STRUCTURE NUMBER 058-6000