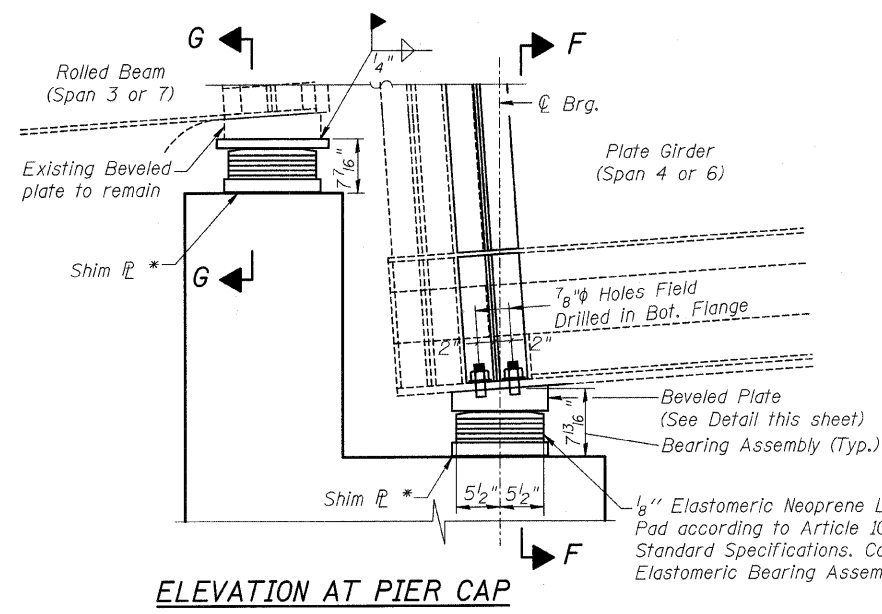
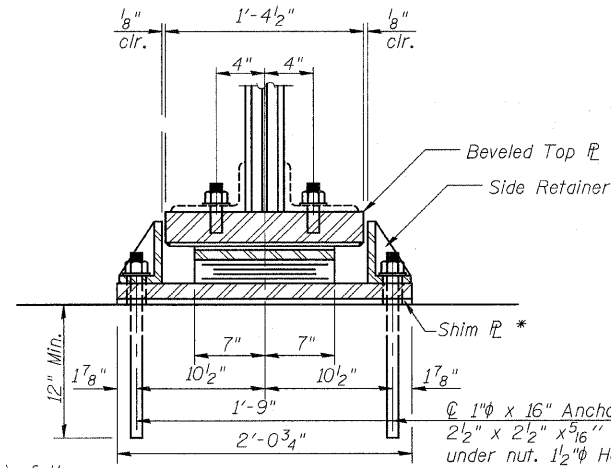


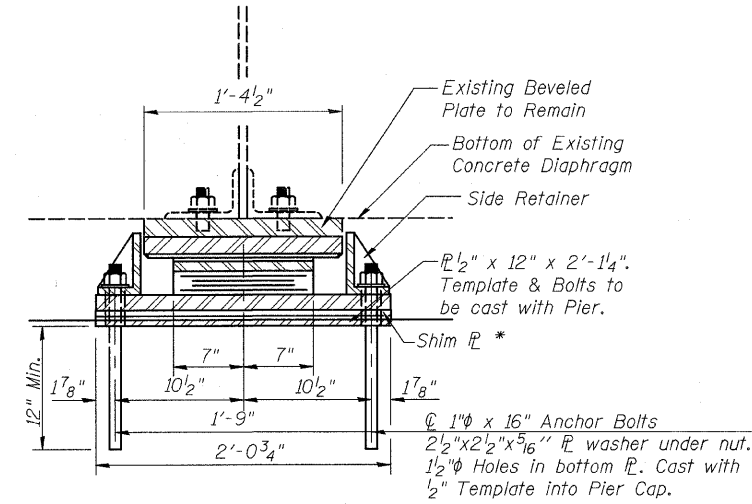
| | | | | |
|---------------------|----------------|---------------------------|--------------|-----------|
| F.A.U. RTE. | SECTION | COUNTY | TOTAL SHEETS | SHEET NO. |
| 7369 | 08-00503-00-BR | MACON | 24 | 17 |
| STA. | | TO STA. | | |
| FED. ROAD DIST. NO. | | ILLINOIS FED. AID PROJECT | | |



ELEVATION AT PIER CAP

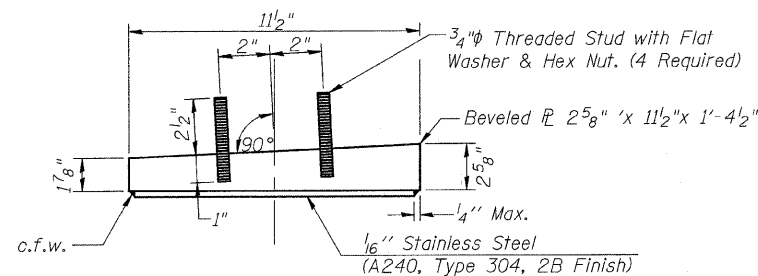


SECTION F-F
(At Plate Girder)

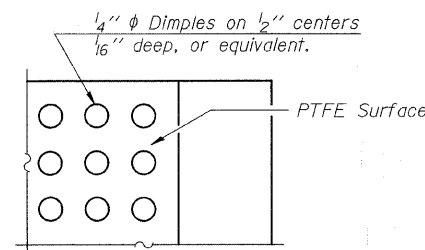


SECTION G-G
(At Rolled Beam)

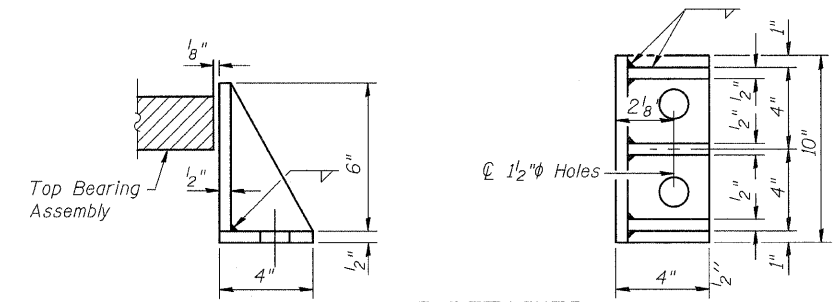
TYPE II ELASTOMERIC EXP. BRG.



BEVELED TOP BEARING ASSEMBLY
(Span 4 & Span 6)
(14 Required)

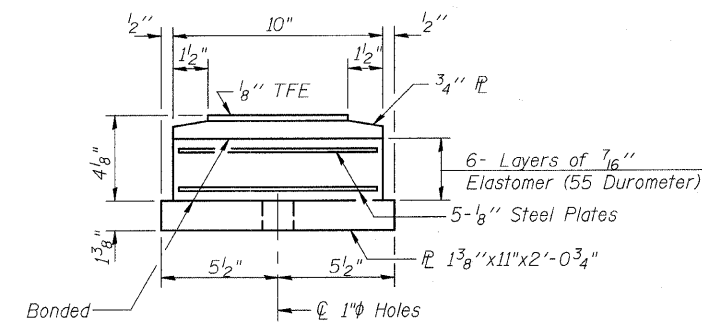


PLAN-PTFE SURFACE

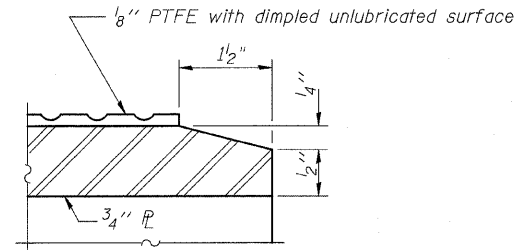


SIDE RETAINER

Equivalent rolled angle with stiffeners will be allowed in lieu of welded plates. Weight included in Furnishing and Erecting Structural Steel.
(56 Required)



BOTTOM BEARING ASSEMBLY



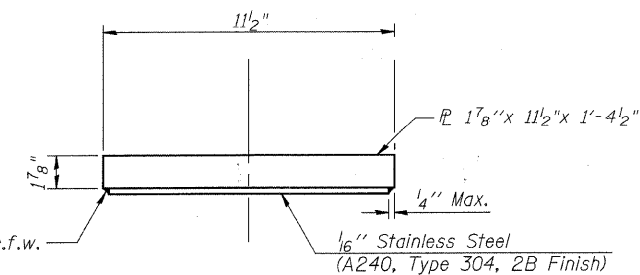
SECTION THRU PTFE

| Girder # | Shim Plate Thickness " (in.) | | | | | | |
|---------------|------------------------------|-----|-----|-----|-----|-----|---|
| | 1 | 2 | 3 | 4 | 5 | 6 | 7 |
| Pier 3 Span 3 | 3/8 | 1/2 | 1 | - | 1/4 | 1/4 | - |
| Pier 3 Span 4 | - | 3/8 | 1 | 1/2 | 5/8 | 3/8 | - |
| Pier 6 Span 6 | 1/4 | 1/4 | 5/8 | 1/2 | 5/8 | 1/8 | - |
| Pier 6 Span 7 | 1/4 | 1/4 | 1/2 | 1/4 | 3/8 | - | - |

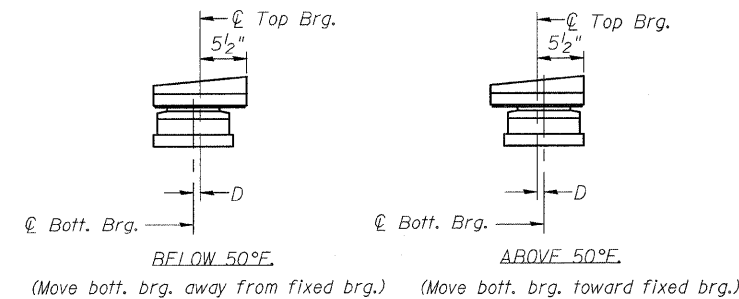
BILL OF MATERIAL

| Item | Unit | Total |
|--------------------------------------|------|-------|
| Elastomeric Bearing Assembly Type II | Each | 28 |

Notes:
The 1/8" PTFE sheet shall be bonded directly to the top steel plate with a two-component, medium viscosity epoxy resin, conforming to the requirements of the Federal Specification MMM-A-134, Type I. The bond agent shall be applied on the full area of the contact surfaces. Bonding of 1/8" PTFE sheet during vulcanizing process will be permitted provided the process and method of adjusting assembly height is approved by the Engineer.



TOP BEARING ASSEMBLY
(Span 3 & Span 7)
(14 Required)



SETTING TOP PLATES AT EXP. BRG.

D=4" (Span 1-3, 5-6 or 7-9), D=1/8" (Span 4) of expansion for every 15° temp. change from the normal temp. of 50°F.

Anchor bolts shall be ASTM F1554 all-thread (or an Engineer approved alternate material) of the grade(s) and diameter(s) specified. ASTM A307 Grade C anchor bolts may be used in lieu of ASTM F1554 Grade 36 (Fy=36 ksi). The corresponding specified grade of AASHTO M314 anchor bolts may be used in lieu of ASTM F1554.

* Provide one 1/2" shim, 1/4" shim and one 1/8" shim for height adjustment at each bearing in addition to shims in table. Weight included in Furnishing and Erecting Structural Steel.

** Cost included in Elastomeric Bearing Assembly Type II.

TYPE II BEARING DETAILS
GARFIELD AVENUE OVER
CANADIAN NATIONAL RAILROAD
CITY OF DECATUR
MACON COUNTY
STA. 12+59.88
STRUCTURE NUMBER 058-6000