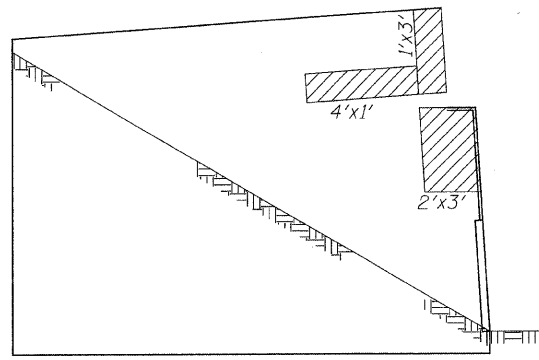
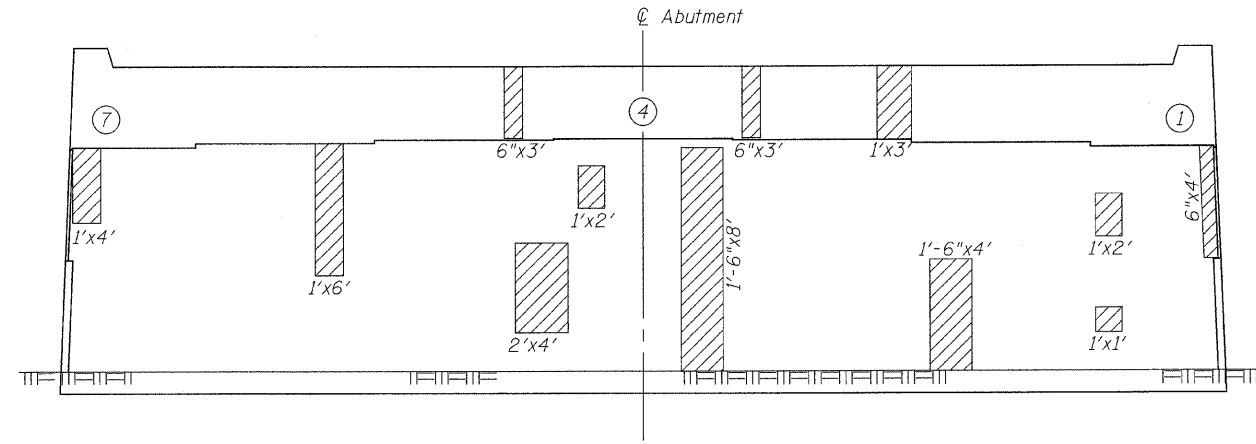


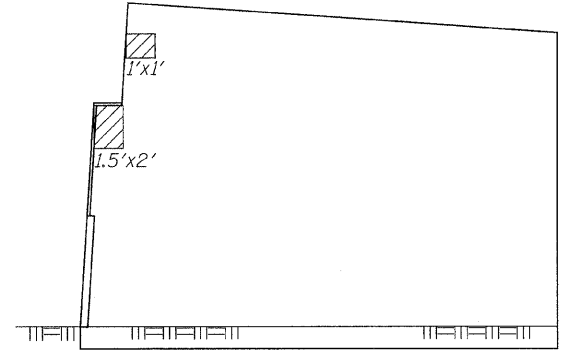
| | | | | |
|---------------------|----------------|---------------------------|--------------|-----------|
| F.A.U. RTE. | SECTION | COUNTY | TOTAL SHEETS | SHEET NO. |
| 7369 | 08-00503-00-BR | MACON | 24 | 21 |
| STA. | | TO STA. | | |
| FED. ROAD DIST. NO. | | ILLINOIS FED. AID PROJECT | | |



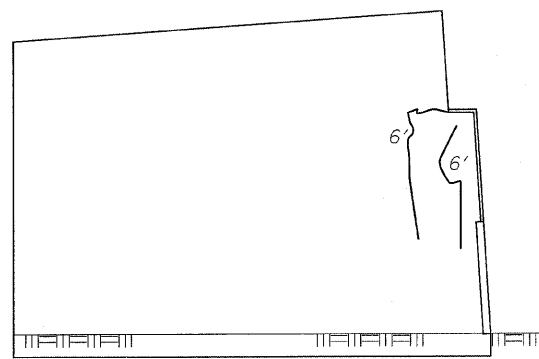
Outside Face South West Wingwall
(Looking North)



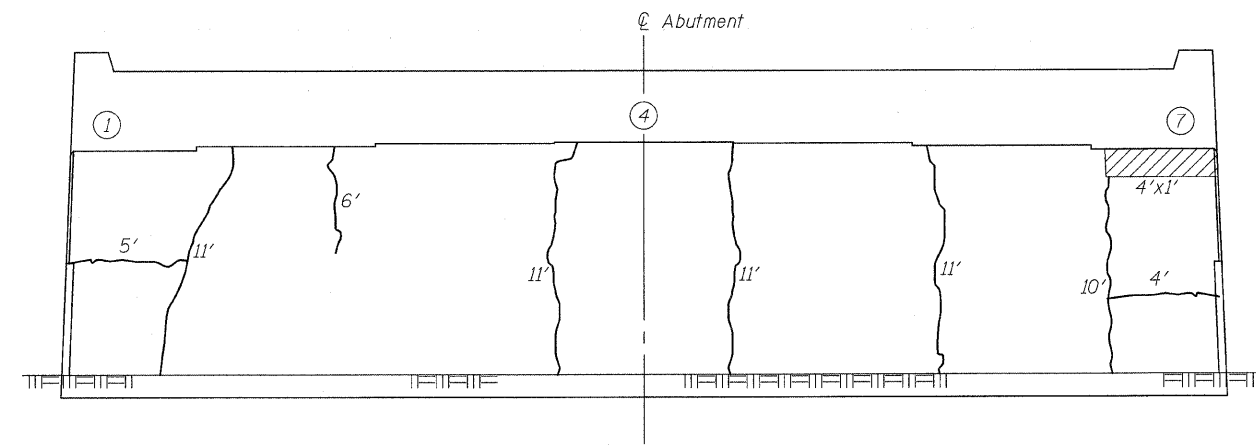
West Abutment
(Looking West)



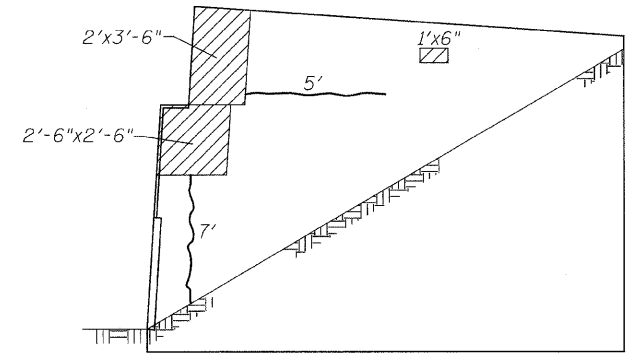
Outside Face North West Wingwall
(Looking South)



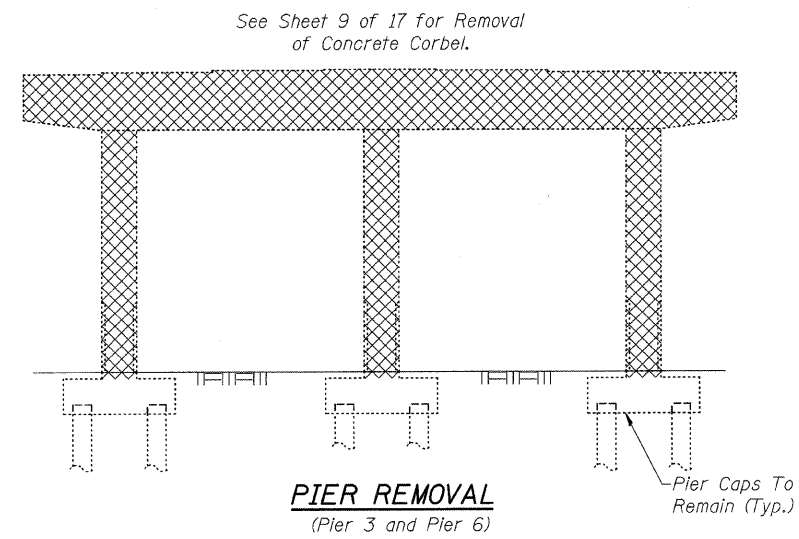
Outside Face North East Wingwall
(Looking South)



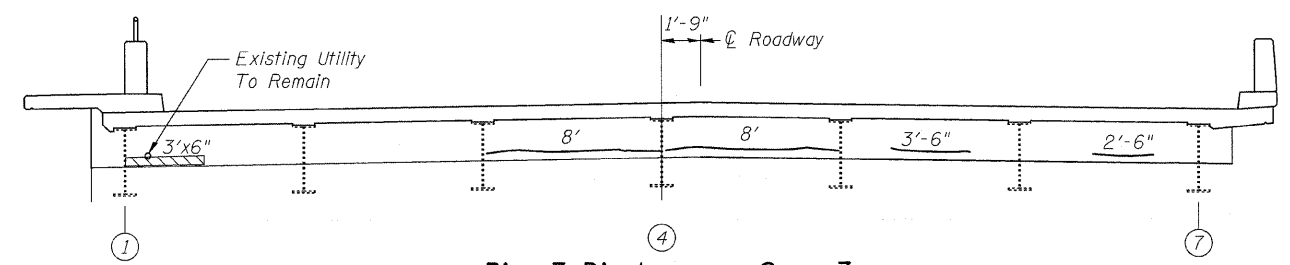
East Abutment
(Looking East)



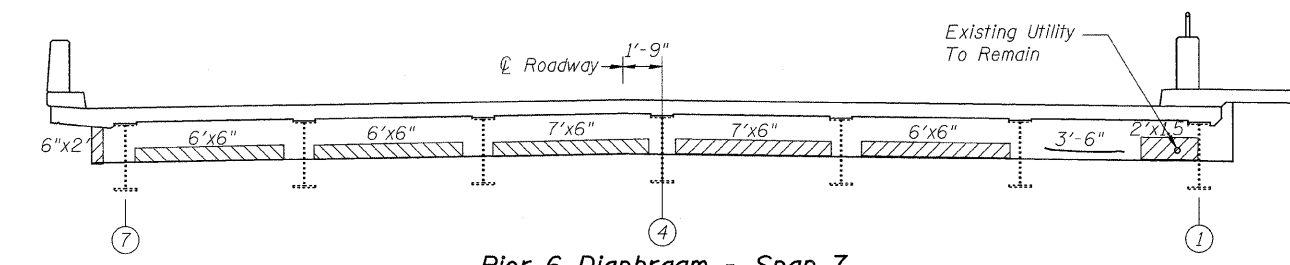
Outside Face South East Wingwall
(Looking North)



PIER REMOVAL
(Pier 3 and Pier 6)



Pier 3 Diaphragm - Span 3
(Looking East)



Pier 6 Diaphragm - Span 7
(Looking West)

BILL OF MATERIAL

| ITEM | UNIT | QUANTITY |
|--|---------|----------|
| Structural Repair of Concrete (Depth < 5") | Sq. Ft. | 126 |
| Epoxy Crack Injection | Foot | 253 |
| Concrete Removal | Cu. Yd. | 67 |
| Deck Slab Repair (Partial) | Sq. Yd. | 11 |

LEGEND

- Concrete Removal
- Formed Concrete Repair (Depth < 5")
- Epoxy Crack Sealing

Note:
Following deck removal at expansion joints the Engineer shall verify locations of concrete repairs on diaphragm, and quantities shall be adjusted accordingly.

ABUTMENT AND DIAPHRAGM REPAIRS AND PIER REMOVAL
GARFIELD AVENUE OVER
CANADIAN NATIONAL RAILROAD
CITY OF DECATUR
MACON COUNTY
STA. 12+59.88
STRUCTURE NUMBER 058-6000