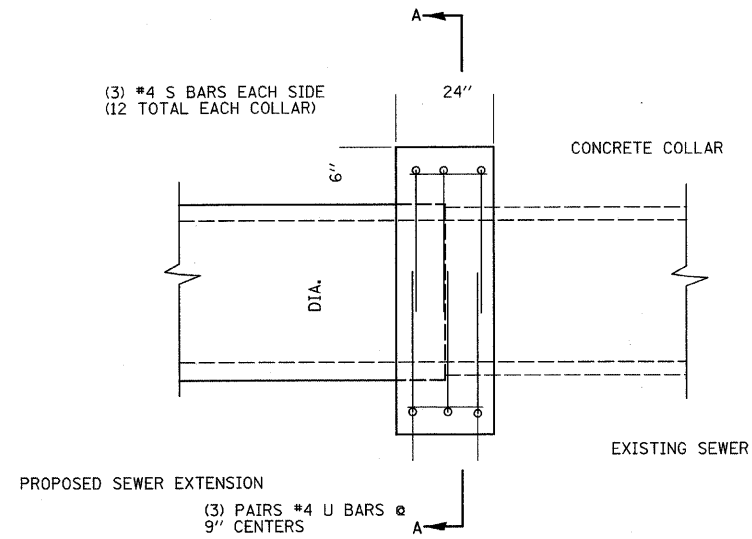
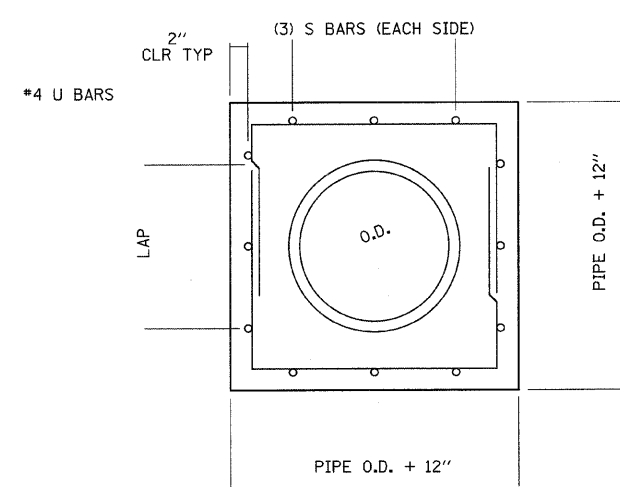


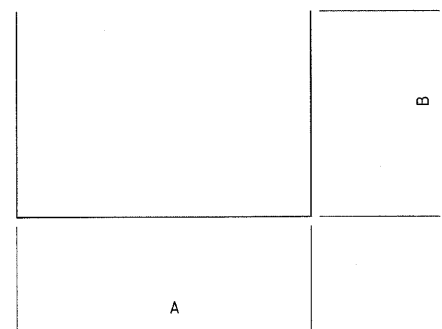
F.A.U. RTE.	SECTION	COUNTY	TOTAL SHEETS	SHEET NO.
7369	08-00503-00-BR	MACON	24	24
STA.		TO STA.		
FED. ROAD DIST. NO.	ILLINOIS	FED. AID PROJECT		



ELEVATION



SECTION A-A



U BAR

REINFORCED CONCRETE PIPE EXTENSION COLLAR SCHEDULE*									
PIPE DIAMETER	S BARS		U BARS DIMENSIONS					REINFORCING BARS	CONCRETE COLLAR
	NUMBER BARS	LENGTH (INCHES)	NUMBER BARS	A (INCHES)	B (INCHES)	LAP (INCHES)	A+2B LENGTH (INCHES)	POUND	CU YD
12"	12	20	6	23	19	15	61	34	0.3

* THE COST OF CONCRETE COLLAR IS TO BE INCLUDED IN THE COST OF REMOVING INLETS TO MAINTAIN FLOW.