

**STRUCTURAL DESIGN DATA**  
**ACCESS ROADS FOR**  
**NATIONAL GREAT RIVERS RESEARCH AND EDUCATION CENTER**

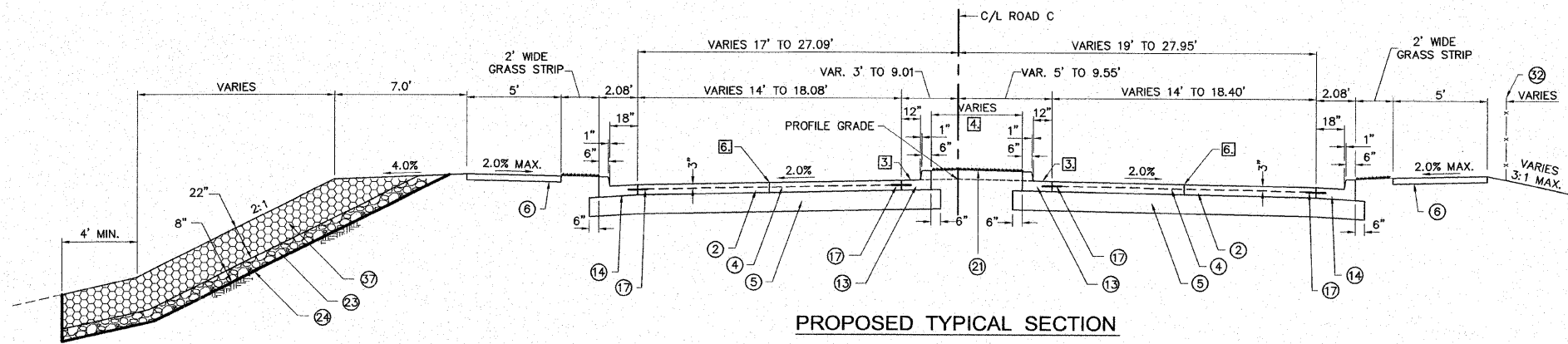
PAVEMENT TYPE: RIGID, NON-REINFORCED JOINTED  
 CLASS OF STREET: CLASS IV  
 DESIGN PERIOD: 20 YEARS  
 TRAFFIC DATA: 2009 ADT = 320  
 2019 ADT = 354 (SDT)  
 2029 ADT = 390  
 STRUCTURAL DESIGN TRAFFIC: 88% P.V. = 312  
 9% S.U. = 32  
 3% M.U. = 10  
 TRAFFIC FACTOR : N/A (CLASS IV ROAD)  
 SHOULDER TYPE: TIED CURB AND GUTTER  
 SUBGRADE SUPPORT RATING: POOR (ASSUMED)  
 OVERLOADS: N/A (CLASS IV ROAD)  
 DESIGN SPECIFIED: SLAB THICKNESS - 7"  
 JOINT SPACING - 12.5'  
 DOWEL BARS - NOT REQUIRED  
 SUBGRADE - FLY ASH MODIFIED SOIL 12"

**PAVING LEGEND**

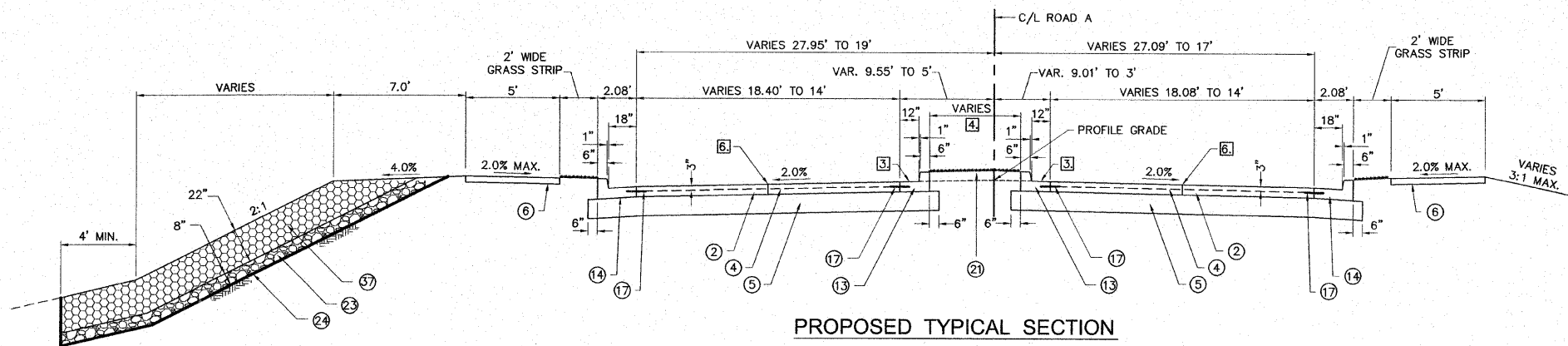
- ① PORTLAND CEMENT CONCRETE PAVEMENT 8" (SPECIAL)(SEE NOTE [6]).
- ② PORTLAND CEMENT CONCRETE PAVEMENT 7" (SPECIAL)(SEE NOTE [6]).
- ③ PORTLAND CEMENT CONCRETE PAVEMENT 7" (SPECIAL, TEXTURED)(SEE NOTE [6]).
- ④ PAVEMENT FABRIC, TYPE A
- ⑤ PROCESSING MODIFIED SOIL 12"
- ⑥ PORTLAND CEMENT CONCRETE SIDEWALK 4 INCH
- ⑦ PORTLAND CEMENT CONCRETE SIDEWALK 5 INCH
- ⑧ CONCRETE PAVER PAVEMENT (3-1/8")
- ⑨ CONCRETE PAVER SIDEWALK (2-3/8")
- ⑩ GEOBLOCK POLYETHYLENE POROUS PAVEMENT SYSTEM, (1.97")
- ⑪ GEOBLOCK 2 POLYETHYLENE POROUS PAVEMENT SYSTEM, (1.18")
- ⑫ CELLULAR CONFINEMENT SYSTEM (6")
- ⑬ COMBINATION CONCRETE CURB AND GUTTER, TYPE B-6.12
- ⑭ COMBINATION CONCRETE CURB AND GUTTER, TYPE B-6.18
- ⑮ COMBINATION CONCRETE CURB AND GUTTER, TYPE B-9.12
- ⑯ COMBINATION CONCRETE CURB AND GUTTER, TYPE M-2.12
- ⑰ DRILL AND GROUT #6 TIE BARS (SEE NOTE [1])
- ⑱ 6" WIDE FLUSH CONCRETE BORDER, 8-3/8"
- ⑲ 6" WIDE FLUSH CONCRETE BORDER, 18"
- ⑳ POROUS GRANULAR CAPPING MATERIAL
- ㉑ SEEDING, CLASS 4A
- ㉒ STONE RIPRAP, CLASS A5
- ㉓ BEDDING MATERIAL
- ㉔ FILTER FABRIC
- ㉕ SUB-BASE GRANULAR MATERIAL, TYPE A 4"
- ㉖ POROUS GRANULAR EMBANKMENT, BEDDING 2"
- ㉗ POROUS GRANULAR EMBANKMENT, BASE 4"
- ㉘ POROUS GRANULAR EMBANKMENT, SUBGRADE 12"
- ㉙ AGGREGATE BASE COURSE, SPECIAL (4")
- ㉚ PIPE UNDERDRAINS 4" (SPECIAL)
- ㉛ POROUS GRANULAR BACKFILL
- ㉜ CHAIN LINK FENCE, 4'
- ㉝ POROUS GRANULAR EMBANKMENT, SUBGRADE 12 INCH (SLAG)
- ㉞ POROUS GRANULAR EMBANKMENT, BASE 4 INCH (SLAG)
- ㉟ POROUS GRANULAR EMBANKMENT, BEDDING 2 INCH (SLAG)
- ㊱ POROUS GRANULAR BACKFILL (SLAG)
- ㊲ BROKEN CONCRETE DUMPED RIPRAP, RR5

**TYPICAL SECTION NOTES**

- [1] TIE BARS THAT ARE PLACED IN CONCRETE SHALL BE 30" LONG AT 30" CENTERS. TIE BARS THAT ARE DRILLED AND GROUTED SHALL BE 24" LONG AT 24" CENTERS.
- [2] PROJECT OVERLAPS IDOT ROW ROAD D STA. 13+84.22 TO STA. 14+95.28 AND STA. 16+34.70 TO STA. 17+40.56
- [3] SLOPE GUTTER PAN WITH PAVEMENT
- [4] SEE ROUND ABOUT DETAILS SHEET NO. 21
- [5] CENTER 2' WIDE DITCH BETWEEN SIDEWALK AND BIKE TRAIL SHOULDER.
- [6] SEE CONCRETE PAVEMENT NOTES ON SHEET NO. 2.

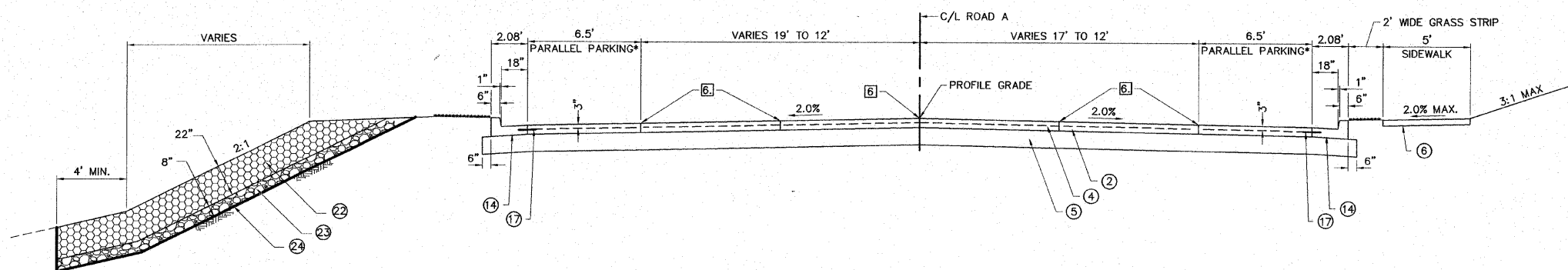


**PROPOSED TYPICAL SECTION**  
**ROAD C**  
 STA. 11+44 TO STA. 11+95  
 SCALE: 1" = 4'



NOTE: PORTLAND CEMENT CONCRETE SIDEWALK 4 INCH ENDS ON THE LEFT AT STA. 0+94.  
 BROKEN CONCRETE DUMPED RIPRAP, RR5 ENDS ON THE LEFT AT STA. 0+94.28

**PROPOSED TYPICAL SECTION**  
**ROAD A**  
 STA. 0+55 TO STA. 1+06  
 SCALE: 1" = 4'



**PROPOSED TYPICAL SECTION**  
**ROAD A**  
 STA. 1+06 TO STA. 2+04.31

\*PARKING LEFT SIDE: STA. 1+59.61 TO STA. 1+95.23  
 \*PARKING RIGHT SIDE: STA. 1+71.22 TO STA. 2+00.26

REVISIONS

**SMS** Sheppard, Morgan & Schwaab, Inc.  
 CONSULTING ENGINEERS AND LAND SURVEYORS  
 215 Market Street, P.O. Box E, Alton, IL 62002  
 10 Central Indiana Drive, Carmel, IN 46033  
 DESIGN FIRM # 184-00992

LEWIS & CLARK COMMUNITY COLLEGE  
 SECTION 05 - 00001 - 00 - PK  
 ACCESS ROADS FOR THE  
 NATIONAL GREAT RIVERS RESEARCH AND EDUCATION CENTER  
 TYPICAL SECTIONS

DWG. NO. PHASE I TYP SECTS.DWG  
 REF. BK. - PG. -  
 JOB NO. 405829  
 DSN. BY: DEG  
 DWN. BY: CAD  
 CHK. BY: DEG  
 DATE: SEPT. 8, 2008  
 SCALE: AS SHOWN  
 SHEET 4 OF 36