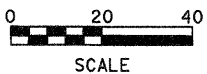
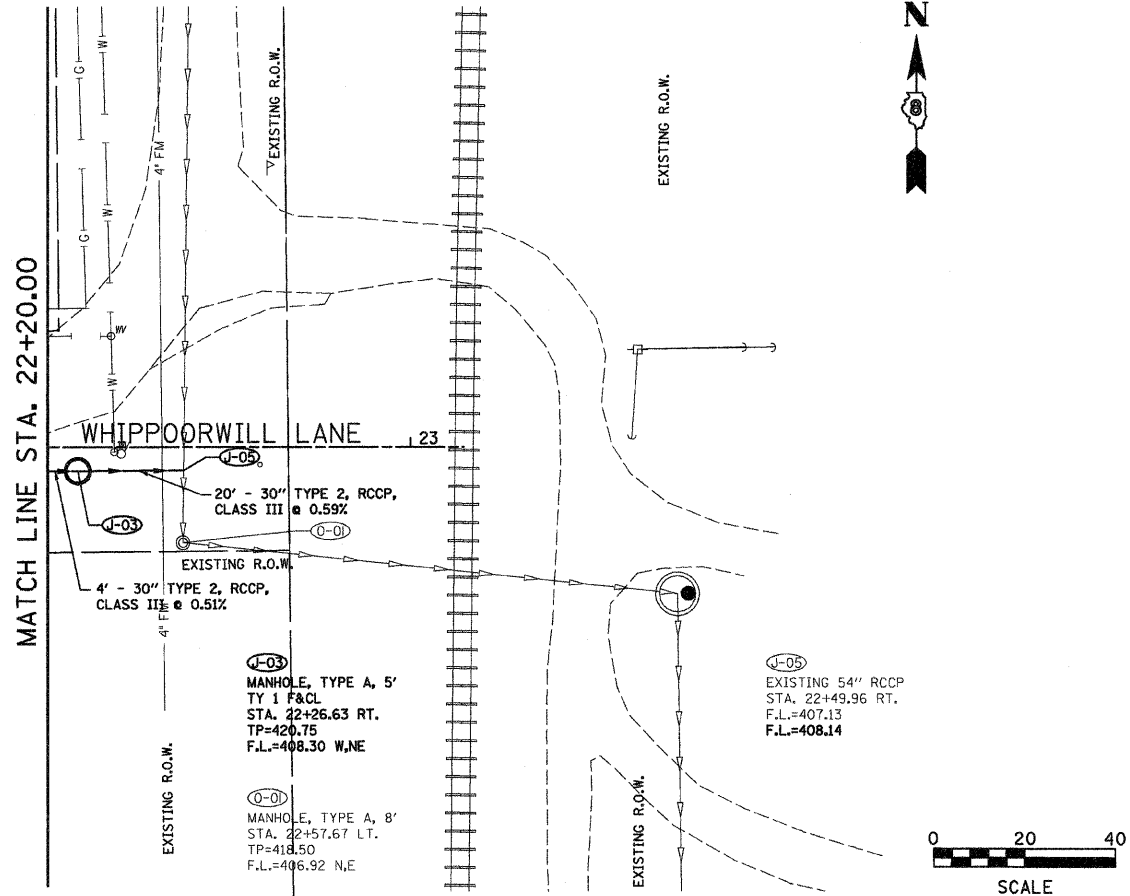
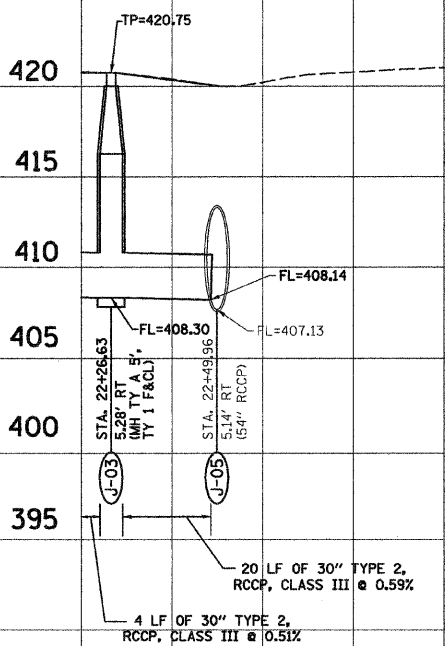


F.A.U. RTE.	SECTION	COUNTY	TOTAL SHEETS	SHEET NO.
9024	07-00187-02-RP	MADISON	111	50
FED. ROAD DIST. NO. _		ILLINOIS	FED. AID PROJECT	
CONTRACT NO. 97376				

FINAL SURVEYED SURVEY PLOTTED NOTE BOOK TEMPLATE AREAS CHECKED	BY	DATE
NO.		



ORIGINAL SURVEYED SURVEY PLOTTED NOTE BOOK TEMPLATE AREAS CHECKED	BY	DATE
NO.		



Juneau Associates, Inc. P.C.
CONSULTING ENGINEERS AND LAND SURVEYORS
2100 State Street, P.O. Box 1328 Granite City, Illinois 62040
Phone: (618) 957-1400 / (618) 957-0500 Fax: (618) 957-0501

DRAINAGE PLAN AND PROFILE
F.A.U. ROUTE 9024
MOCKINGBIRD LANE
GRANITE CITY, ILLINOIS
SECTION NO. 07-00187-02-RP

REVISIONS				SCALE: 1 Inch = 20 feet
NO.	DATE	BY	REMARKS	
DSN. BY: BFK			DATE: 04/03/09	SHEET
DWN. BY: JDH			DATE: 04/03/09	50
CHK'D: BFK			DATE: 04/03/09	
DWG. NO.		JOB NO. E050210	DGN. NAME: DRAIN_ID	OF 111 SHTS