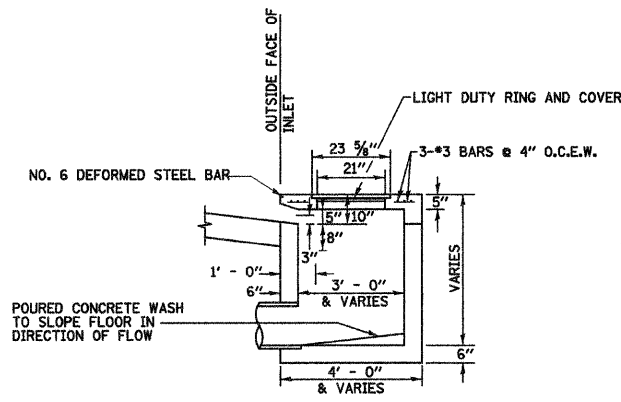
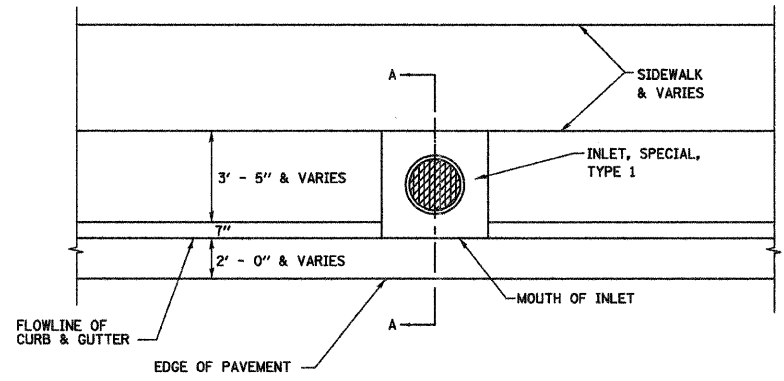


F.A.U. RTE.	SECTION	COUNTY	TOTAL SHEETS	SHEET NO.
9024	07-00187-02-RP	MADISON	111	69
FED. ROAD DIST. NO.	ILLINOIS	FED. AID PROJECT		
CONTRACT NO. 07376				

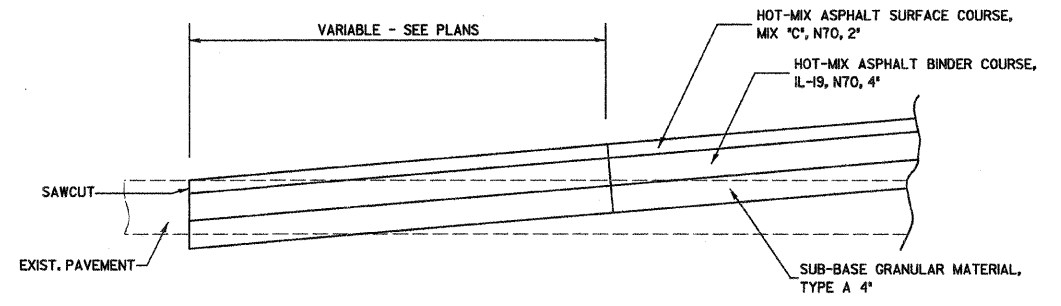


NOTES:  
REINFORCING BARS USED IN THE INLET SHALL BE #4 BARS @ 10" O.C. BOTH WAYS.

**SECTION A-A**  
N.T.S.

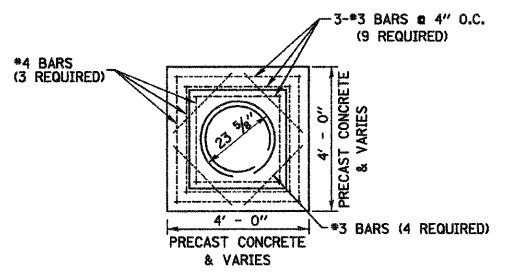


**PLAN**  
N.T.S.

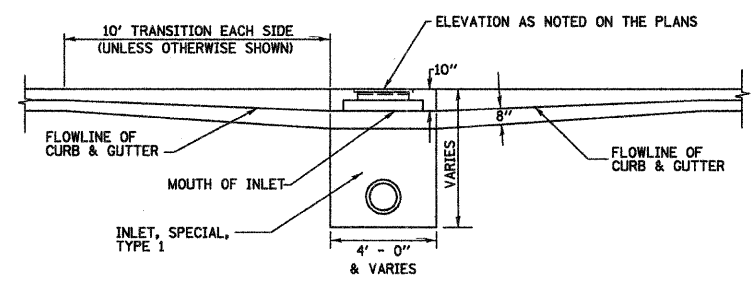


**TERMINUS @ SIDE ROADS**  
N.T.S.

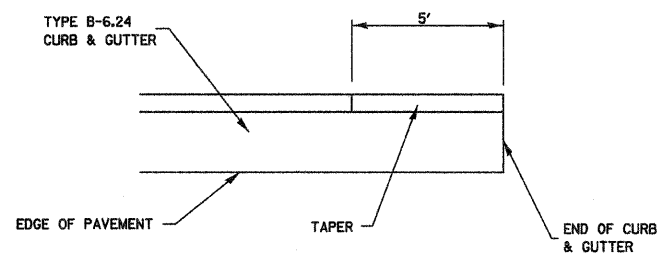
NOTE: SAWCUT SHALL BE CONSIDERED INCIDENTAL TO CONSTRUCTION



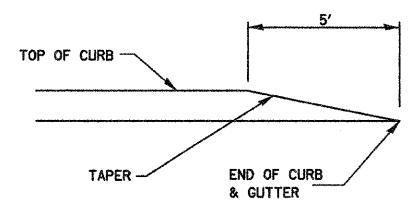
**CONCRETE LID PLAN**  
N.T.S.



**FRONT ELEVATION**  
N.T.S.



**PLAN**

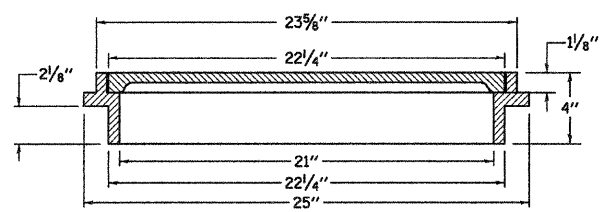


**ELEVATION**

**CURB AND GUTTER TERMINI**  
N.T.S.

INLET TYPE	INSIDE WIDTH	LID TYPE
INLETS, SPECIAL, TYPE 1	3 X 3	NORMAL
INLETS, SPECIAL, TYPE 2	4 X 4	NORMAL
INLETS, SPECIAL, TYPE 3	5 X 5	NORMAL

INLET WALL	
TYPE	THICKNESS
PRECAST CONCRETE	6"
CAST-IN-PLACE CONCRETE	6"



**LIGHT DUTY RING AND COVER**  
N.T.S.

NOTES:  
REINFORCING BARS, CLASS "PC" CONCRETE, CAST IRON RING AND COVER, AND ALL MATERIAL AND LABOR SHALL BE INCLUDED IN THE UNIT PRICE BID FOR "INLET, SPECIAL, TYPE SPECIFIED" COMPLETE AND IN PLACE.

THE TOPS OF ALL INLETS WHICH ARE LOCATED IN CURVES SHALL BE CONSTRUCTED TO CONFORM TO THE RADIUS OF THE CURVE.

DETAILS FOR THE INLET, SPECIAL, TYPE 1 AS SHOWN ABOVE ARE BASED UPON INSIDE DIMENSIONS OF 3'X3'. ALL OTHER SIZES NOTED IN THE PLANS REFER TO INSIDE DIMENSIONS.

FOR THE INLET, SPECIAL, TYPE 4, THERE SHALL BE AN ADDITIONAL OPENING SIMILAR TO THE OPENING AS SHOWN IN THE SECTION A-A PLACED ON ALL FOUR SIDES OF THE STRUCTURE.

- INLET, SPECIAL, TYPE 1
- INLET, SPECIAL, TYPE 2
- INLET, SPECIAL, TYPE 3
- INLET, SPECIAL, TYPE 4

BY	DATE
SURVEYED	
PLOTTED	
NOTE BOOK	
TEMPLATE	
AREAS CHECKED	
NO.	

BY	DATE
ORIGINAL SURVEYED	
PLOTTED	
NOTE BOOK	
TEMPLATE	
AREAS CHECKED	
NO.	

**Juneau Associates, Inc. P.C.**  
CONSULTING ENGINEERS AND LAND SURVEYORS  
2100 State Street, P.O. Box 1325  
Granite City, IL 60145  
Phone: (618) 271-1400 / (618) 452-5500  
Fax: (618) 452-2541

**MISCELLANEOUS DETAILS**  
F.A.U. ROUTE 9024  
MOCKINGBIRD LANE  
GRANITE CITY, ILLINOIS  
SECTION NO. 07-00187-02-RP

REVISIONS				SCALE:	
NO.	DATE	BY	REMARKS	NOT TO SCALE	
				DSN. BY: BFK	DATE: 04/03/09
				DWN. BY: JDH	DATE: 04/03/09
				CHKD: BFK	DATE: 04/03/09
DWG. NO.				JOB NO. E050210	DGN. NAME: MSC.DTL.SJ