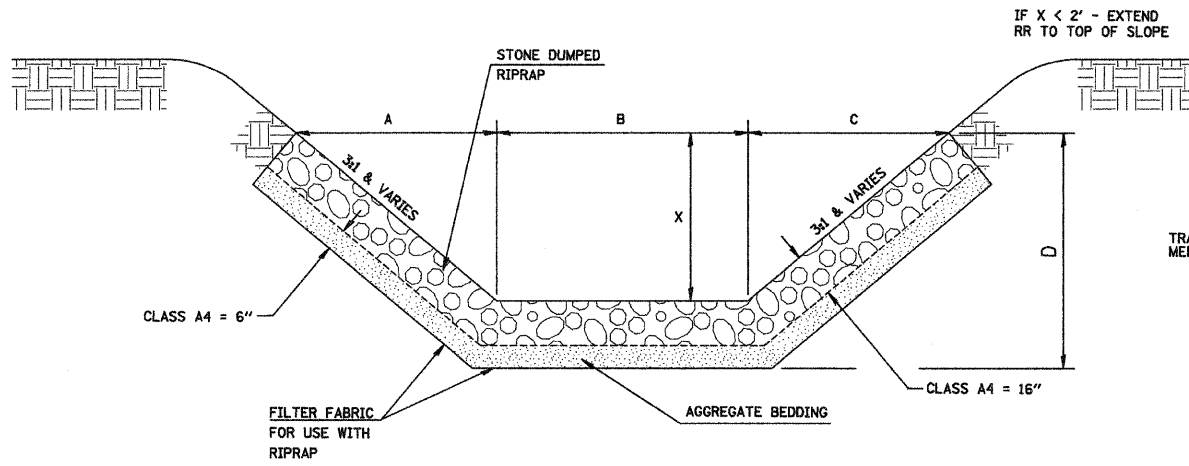
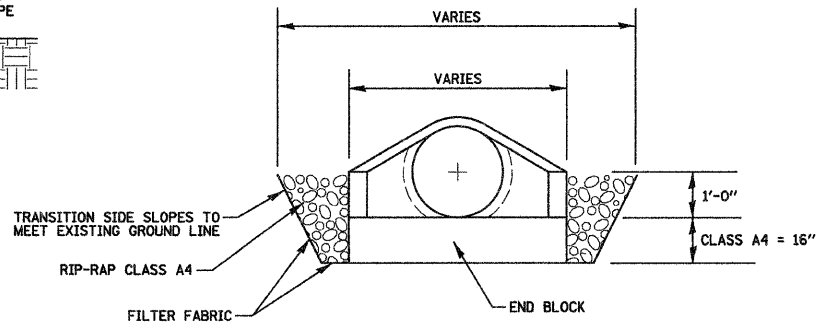


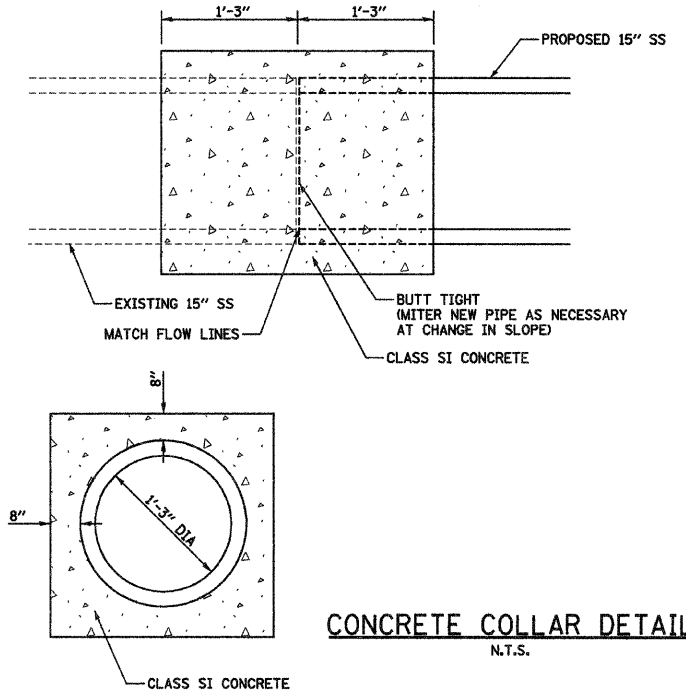
F.A.U. RTE.	SECTION	COUNTY	TOTAL SHEETS	SHEET NO.
9024	07-00187-02-RP	MADISON	111	70
FED. ROAD DIST. NO.	ILLINOIS FED. AID PROJECT			
CONTRACT NO. 97376				



STONED DUMPED RIPRAP DITCH LINING
N.T.S.

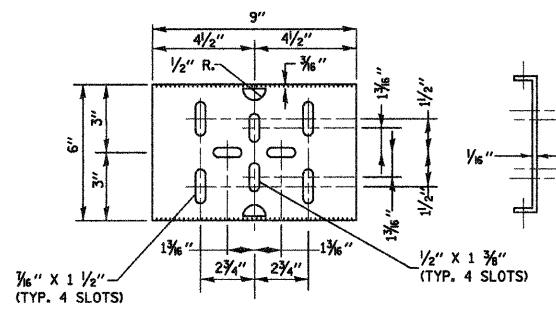


**RIP-RAP DETAIL
STORM SEWER OUTFALL**
N.T.S.

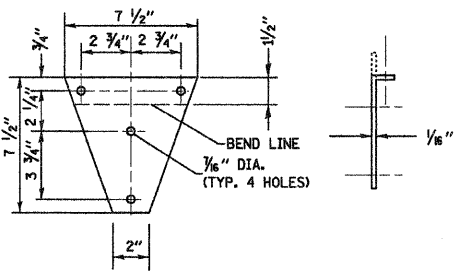


CONCRETE COLLAR DETAIL
N.T.S.

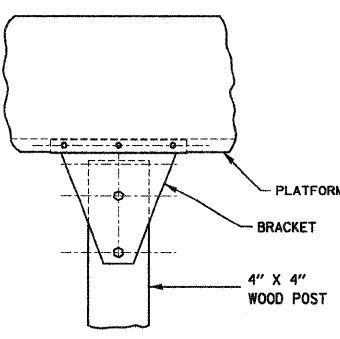
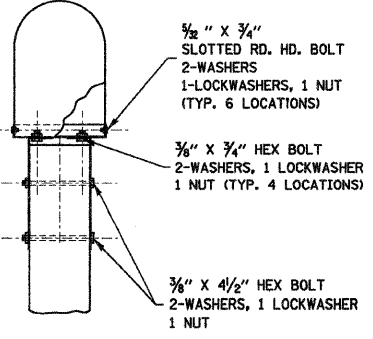
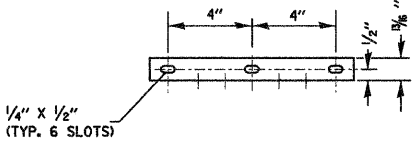
DATE	
BY	
SURVEYED	
PLOTTED	
NOTE BOOK	
TEMPLATE	
AREAS CHECKED	
NO.	



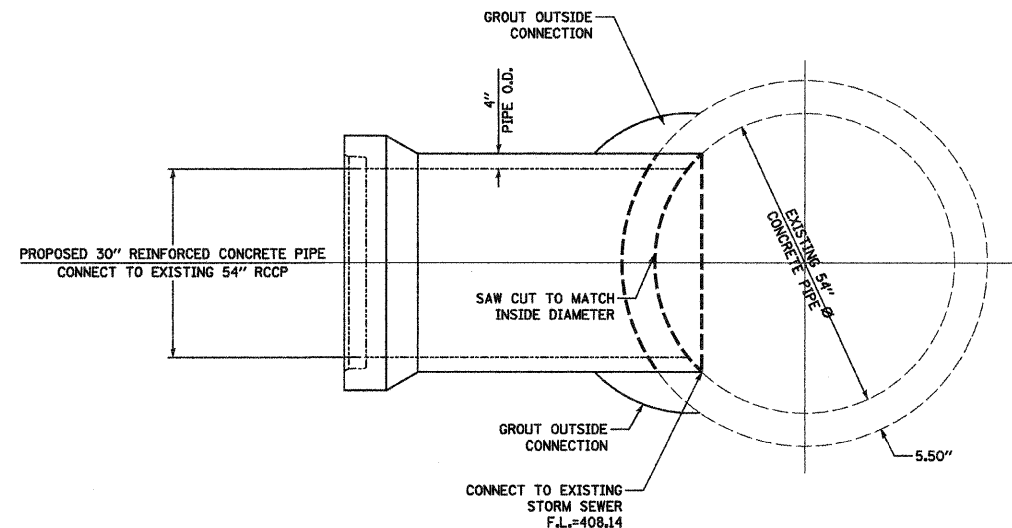
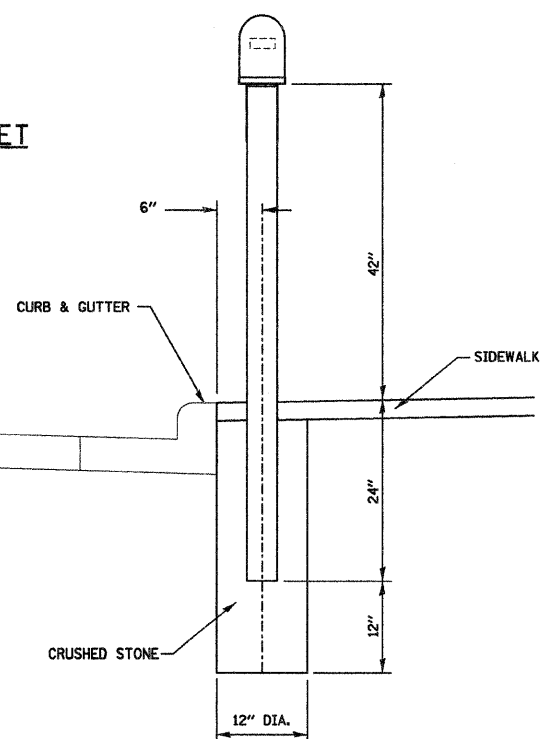
PLATFORM
N.T.S.



BRACKET
N.T.S.



MAILBOX SUPPORT DETAIL
N.T.S.



**PROPOSED STORM SEWER CONNECTION
TO EXISTING PIPE**
STA. 22+49.96 - 5.14' RT
WHIPPOORWILL LANE
N.T.S.

Juneau Associates, Inc. P.C.
CONSULTING ENGINEERS AND LAND SURVEYORS
2100 Stone Street, P.O. Box 1323
Granite City, Illinois 62040
Phone: (618) 187-1400 / (618) 452-5555
Fax: (618) 452-2541

MISCELLANEOUS DETAILS
F.A.U. ROUTE 9024
MOCKINGBIRD LANE
GRANITE CITY, ILLINOIS
SECTION NO. 07-00187-02-RP

REVISIONS			SCALE	
NO.	DATE	BY	NOT TO SCALE	
			DSN. BY: BFK	DATE: 04/03/09
			DWN. BY: JDH	DATE: 04/03/09
			CHK'D: BFK	DATE: 04/03/09
DWS. NO.			JOB NO. E050210	DGN. NAME: MSC.DTL5.2 OF 111 SHTS

DATE	
BY	
SURVEYED	
PLOTTED	
NOTE BOOK	
TEMPLATE	
AREAS CHECKED	
NO.	