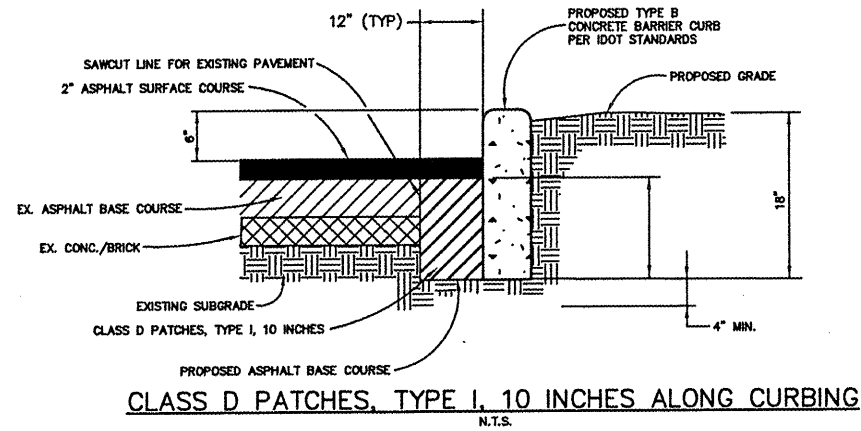
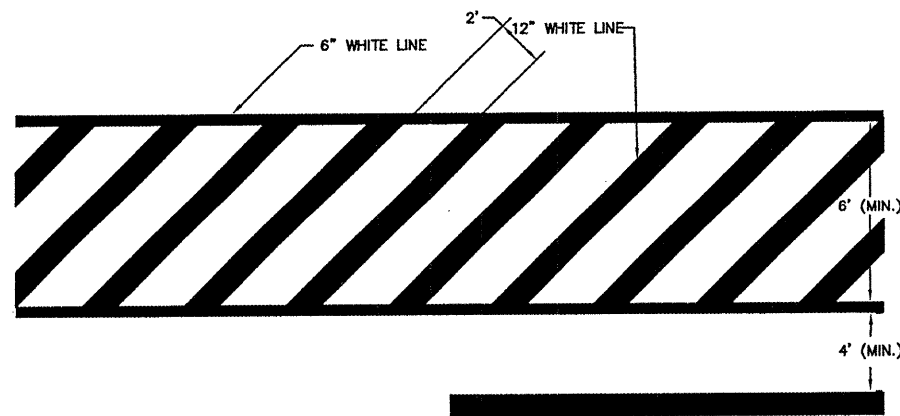


DATE	
BY	
REVISIONS	
PLANNED	
NOTED	
FILED	
NO.	

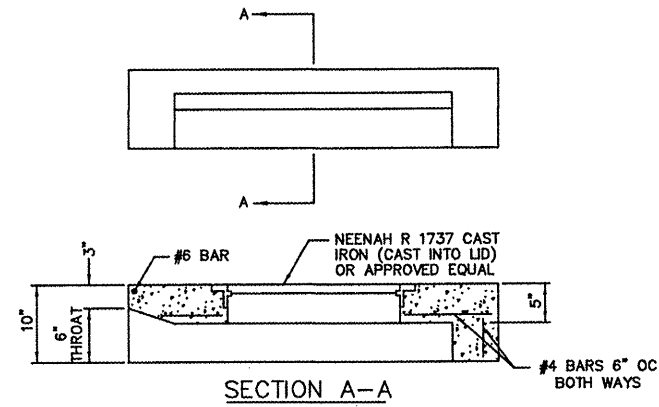
DATE	
BY	
REVISIONS	
PLANNED	
NOTED	
FILED	
NO.	



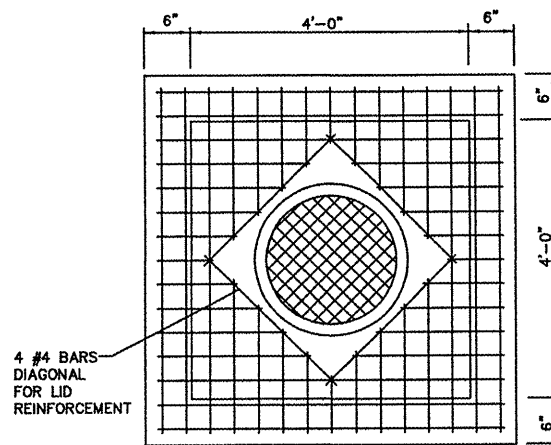
CLASS D PATCHES, TYPE I, 10 INCHES ALONG CURBING
N.T.S.



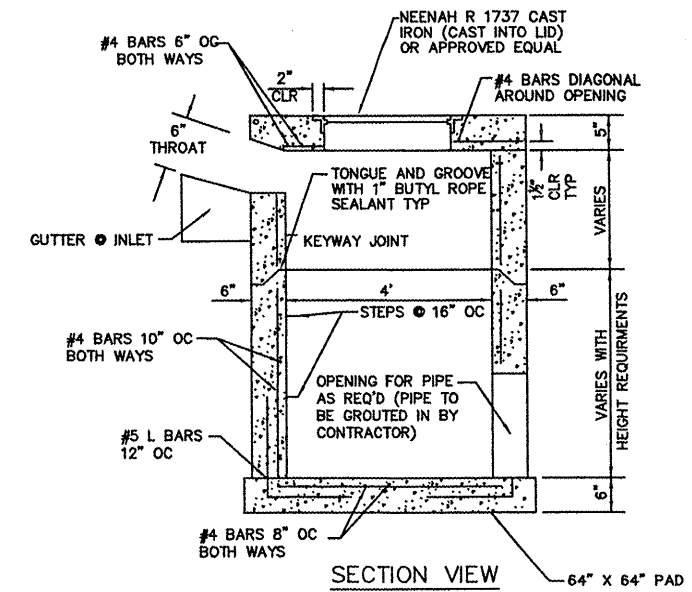
DETAIL CROSS-WALK
N.T.S.



SECTION A-A



PLAN VIEW



SECTION VIEW

INLET, SPECIAL
(OR APPROVED EQUAL)
NOT TO SCALE

FILE NAME	USER NAME -- \$USER\$	DESIGNED -- KJW	REVISED --
\$FILEL\$		DRAWN -- JMA	REVISED --
		CHECKED --	REVISED --
		DATE -- 4-9-09	REVISED --

CITY OF EAST SAINT LOUIS
9TH STREET RESURFACING

MISCELLANEOUS DETAILS

SCALE: N.T.S. SHEET NO. 11 OF 11 SHEETS STA. ___ TO STA. ___

F.A.U. RTE.	SECTION	COUNTY	TOTAL SHEETS	SHEET NO.
9214	08-00218-00 RS	ST. CLAIR	11	11
CONTRACT NO. _____				
FED. ROAD DIST. NO. -- ILLINOIS FED. AID PROJECT				