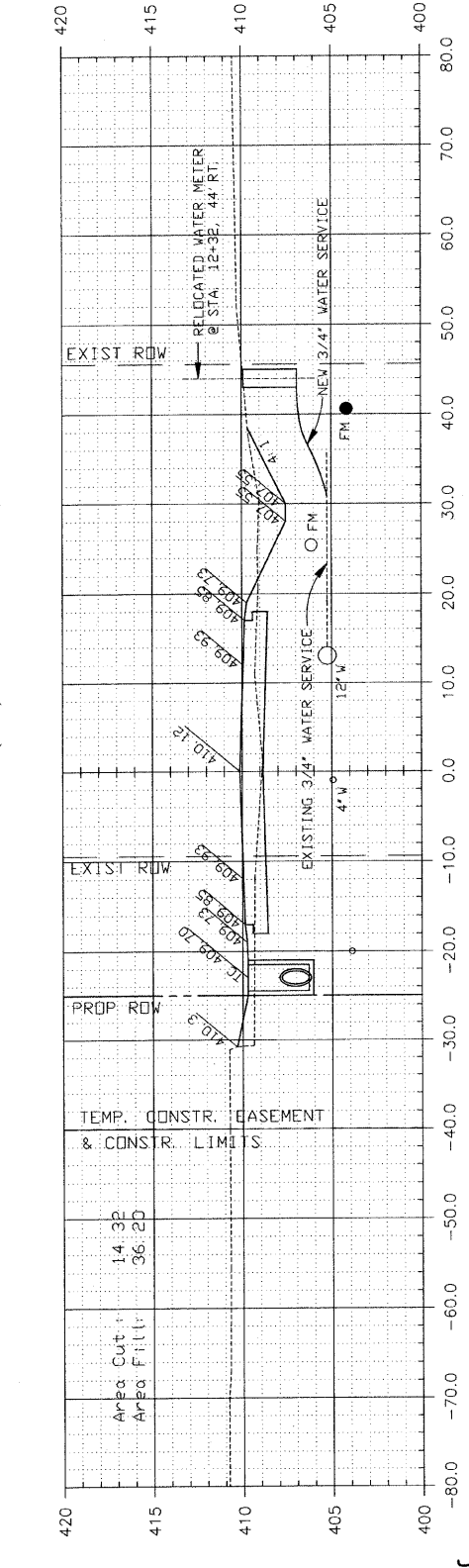
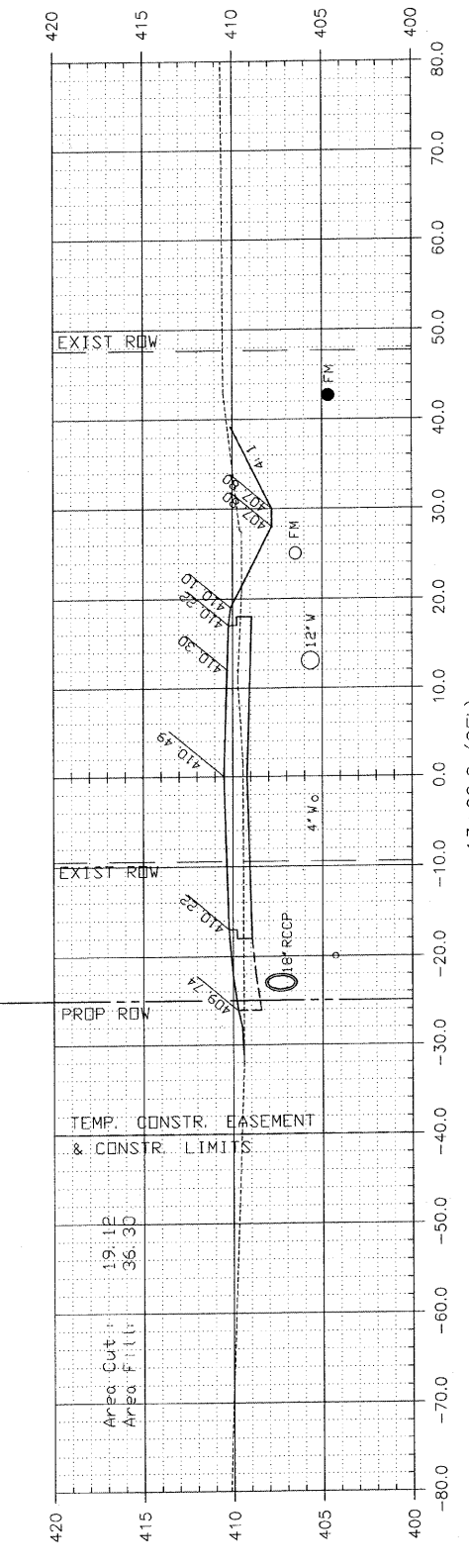
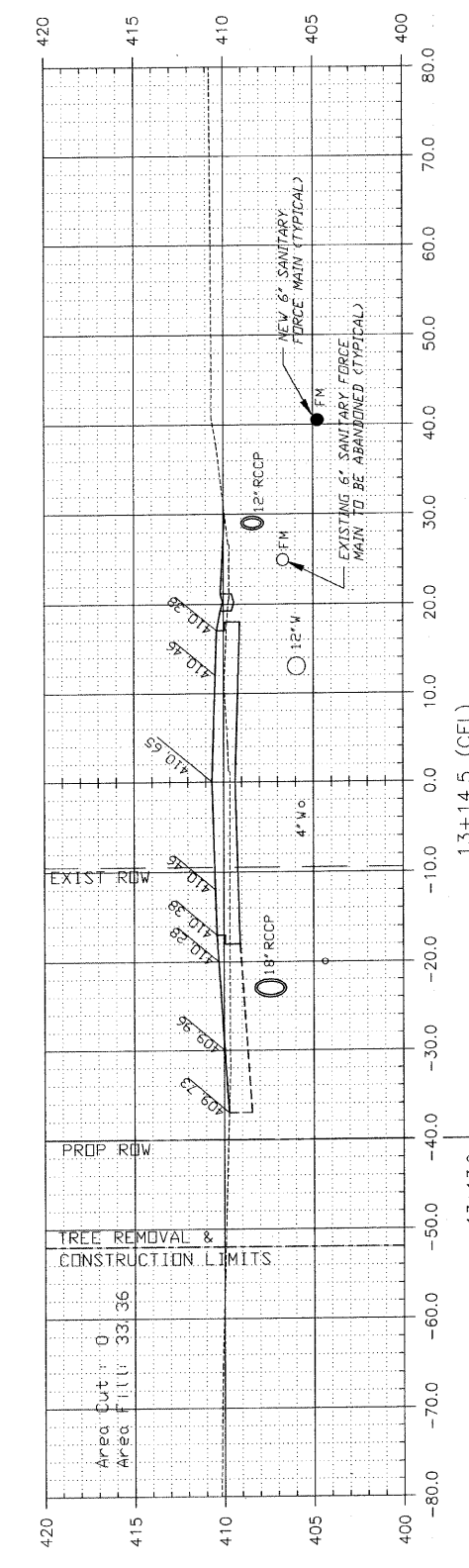
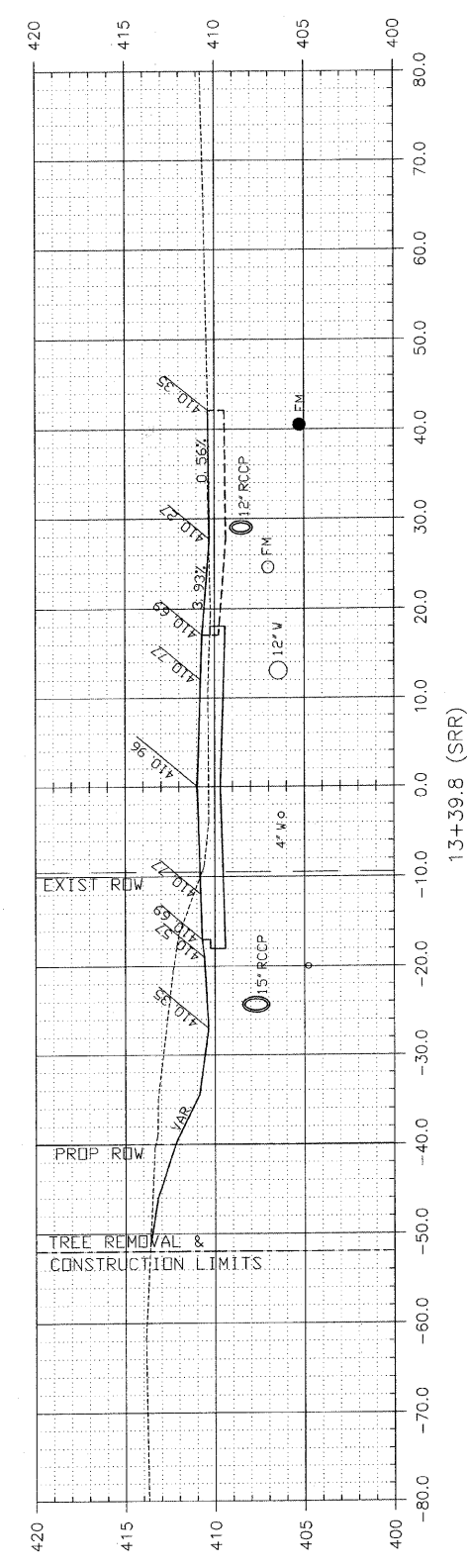
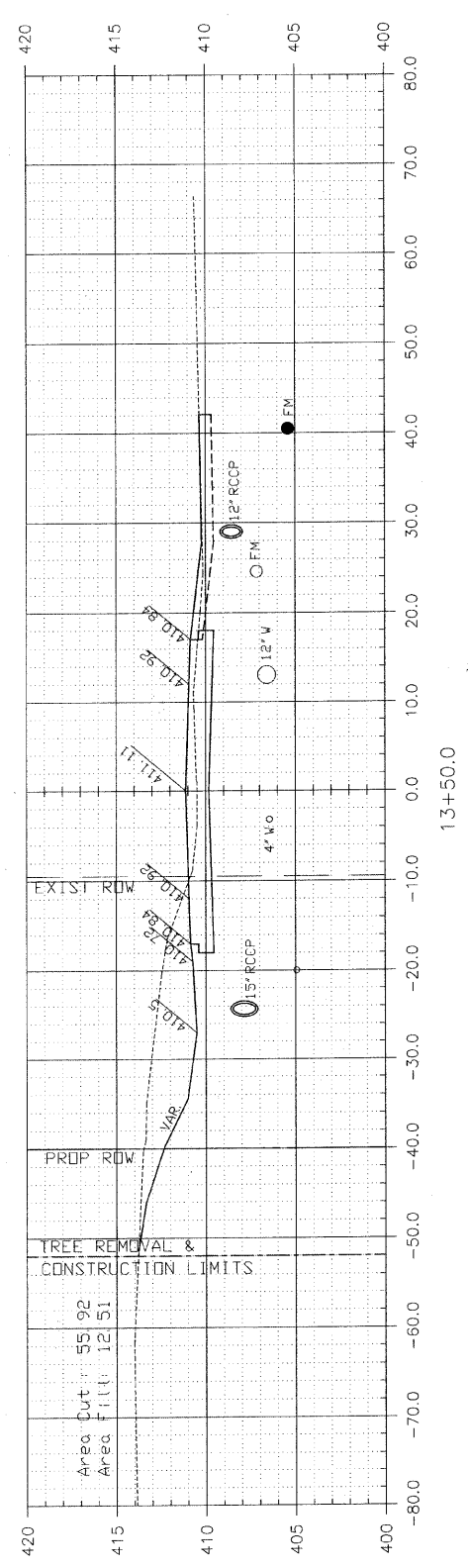


| F. A. U. ROUTE | SECTION | COUNTY | TOTAL SHEETS | SHEET NUMBER |
|--------------------|----------------|------------------------|--------------|--------------|
| 9732 | 00-00103-00-FP | JACKSON | 37 | 22 |
| CITY OF CARBONDALE | | PROJECT NO. M-5008(19) | | |
| CONTRACT NO. 99182 | | JOB NO. C99-504-03 | | |

FEDERAL AID PROJECT



NOTE: CUT AND FILL AREA SHOWN ARE TO FINISH GRADE

| |
|------------------------------------|
| CIP NO. ST0102 - REED STATION ROAD |
| CROSS SECTIONS |
| STA. 13+14.5 TO STA. 15+00 |