

F.A.S.	SECTION	COUNTY	TOTAL SHEETS	SHEET NO.
861	05-00094-00-FF	HAMILTON	32	2
FED. ROAD DIST. NO. 9 ILLINOIS		CORNERVILLE ROAD		
PROJECT # RS-881161		CONTRACT # 99340		
LEC JOB # H06L0224M				

323 W. 3RD ST.
P.O. BOX 160
MT. CARMEL, IL
62863
PHONE:
(618)-262-8651
FAX:
(618)-263-3327

405 W. STATE ST
SUITE 1
PRINCETON, IN
47670
PHONE:
(812)-386-7611
FAX:
(812)-385-2812

LAMAC
ENGINEERING CO.

PROFESSIONAL DESIGN FIRM
LAND SURVEY & PROFESSIONAL ENGINEERING CORPORATION
194-000887
(62-032435)(35-002769)

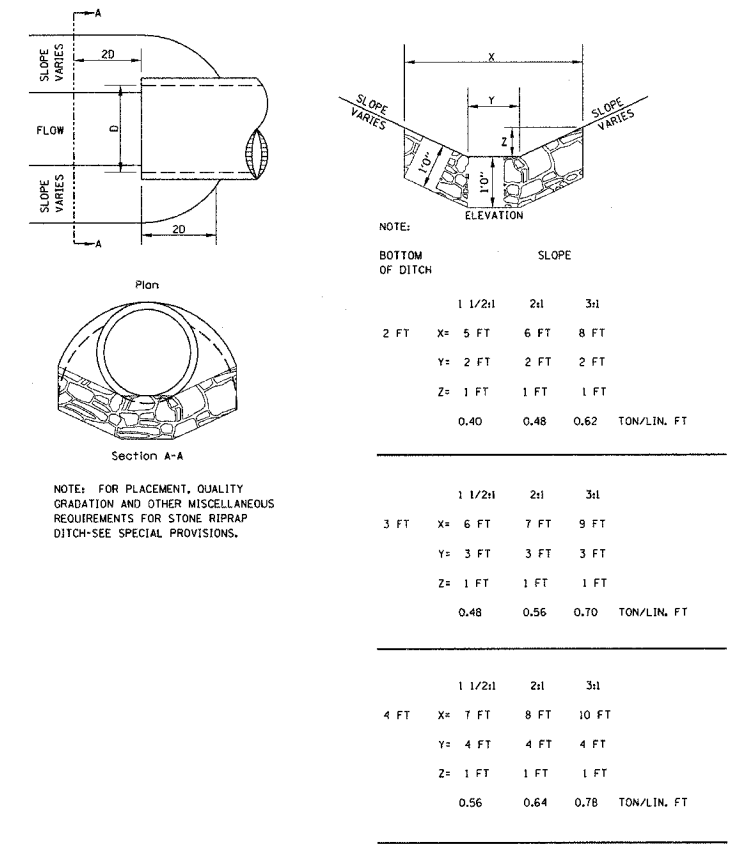
AARON M. MEFFORD
NAME
Aaron Mefford
SIGNATURE
DATE
3/17/09
11-30-09 EXPIRES

F.A.S. 881 (CH 6)
CORNERVILLE ROAD
SECTION 05-00094-00-FF
HAMILTON COUNTY, ILLINOIS

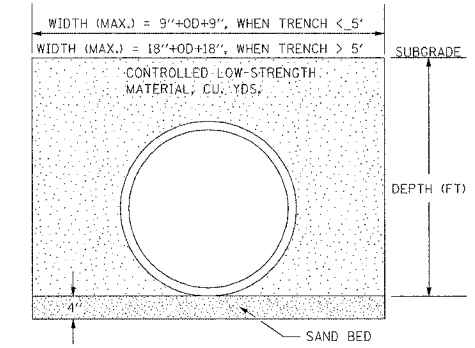
SUMMARY OF QUANTITIES

CODE NO.	ITEM	UNIT	QUANTITY
20100500	TREE REMOVAL, ACRES	ACRE	0.05
20200100	EARTH EXCAVATION	CU YD	5027.00
25001000	SEEDING, CLASS 2 (SPECIAL)	ACRE	7.60
25001845	SEEDING, CLASS 7 (SPECIAL)	ACRE	7.60
28000300	TEMPORARY DITCH CHECKS	EACH	95.00
28000400	PERIMETER EROSION BARRIER	FOOT	320.00
28102600	STONE RIPRAP DITCH	TON	455.00
35200500	CEMENT	100 WT	23829.00
40200800	AGGREGATE SURFACE COURSE, TYPE B	TON	482.00
40300100	BITUMINOUS MATERIALS (PRIME COAT)	GALLON	7677.00
40300300	BITUMINOUS MATERIALS (COVER & SEAL COATS)	GALLON	24039.00
40300500	COVER COAT AGGREGATE	TON	768.00
40300600	SEAL COAT AGGREGATE	TON	384.00
542A0223	PIPE CULVERTS, CLASS A, TYPE 1 18"	FOOT	84.00
542A0229	PIPE CULVERTS, CLASS A, TYPE 1 24"	FOOT	88.00
542A0253	PIPE CULVERTS, CLASS A, TYPE 1 48"	FOOT	65.00
542A5473	PIPE CULVERTS, CLASS A, TYPE 1 EQUIVALENT ROUND-SIZE 18"	FOOT	26.00
542A5479	PIPE CULVERTS, CLASS A, TYPE 1 EQUIVALENT ROUND-SIZE 24"	FOOT	56.00
54200217	PIPE CULVERTS, CLASS D, TYPE 1 12"	FOOT	30.00
54200220	PIPE CULVERTS, CLASS D, TYPE 1 15"	FOOT	140.00
54200223	PIPE CULVERTS, CLASS D, TYPE 1 18"	FOOT	50.00
54200229	PIPE CULVERTS, CLASS D, TYPE 1 24"	FOOT	40.00
54200235	PIPE CULVERTS, CLASS D, TYPE 1 30"	FOOT	50.00
54213663	PRECAST REINFORCED CONCRETE FLARED END SECTIONS 18"	EACH	6.00
54213669	PRECAST REINFORCED CONCRETE FLARED END SECTIONS 24"	EACH	6.00
54213693	PRECAST REINFORCED CONCRETE FLARED END SECTIONS 48"	EACH	4.00
54214503	PRECAST REINFORCED CONCRETE FLARED END SECTIONS, EQUIVALENT ROUND-SIZE 18"	EACH	2.00
54214509	PRECAST REINFORCED CONCRETE FLARED END SECTIONS, EQUIVALENT ROUND-SIZE 24"	EACH	4.00
54215559	METAL END SECTIONS 24"	EACH	2.00
54215665	METAL END SECTIONS 30"	EACH	2.00
59300100	CONTROLLED LOW-STRENGTH MATERIAL	CU YD	118.80
67100100	MOBILIZATION	L SUM	1.00
72000100	SIGN PANEL-TYPE 1	50 FT	61.00
72900100	METAL POST-TYPE A	FOOT	98.30
35200410	PROCESSING SOIL-CEMENT BASE COURSE 10"	50 YD	27123.00

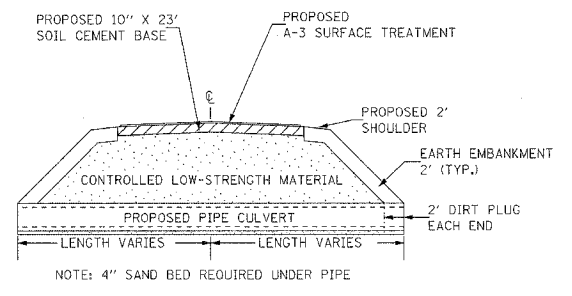
STONE RIPRAP DITCH DESIGN



DETAIL OF ACROSS ROAD REINFORCED CONCRETE CULVERT PIPES



PROPOSED TYPICAL CROSS SECTION AT PIPE CULVERTS



SCHEDULE FOR SIGNS AND POSTS

STA.	LOC.	MUTCD CODE	STYLE	SIZE	SQ. FT	METAL POST-TYPE A LENGTH
26+70	SR RT	W3-1A	STOP AHEAD	36" X 36"	9.00	12.00
26+70	26' RT	RI-1	STOP	30" X 30"	6.25	12.30
52+65	SR LT	W3-1A	STOP AHEAD	36" X 36"	9.00	11.50
52+65	26' LT	RI-1	STOP	30" X 30"	6.25	12.00
53+11	SR RT	W3-1A	STOP AHEAD	36" X 36"	9.00	12.00
53+11	26' RT	RI-1	STOP	30" X 30"	6.25	12.20
101+28	18.25' RT	W3-1A	STOP AHEAD	36" X 36"	9.00	13.50
105+78	28' RT	RI-1	STOP	30" X 30"	6.25	12.80
TOTAL					61.00	98.30

EARTHWORK SCHEDULE

LOCATION	EARTH EXCAVATION	CHANNEL EXCAVATION	ESTIMATED UNSUITABLE MATERIAL	SUITABLE MATERIAL ADJUSTED FOR SHRINKAGE	EMBANKMENT	EARTHWORK BALANCE WASTE (+) OR SHORTAGE (-)
	CUBIC YARD	CUBIC YARD	CUBIC YARD	CUBIC YARD	CUBIC YARD	CUBIC YARD
STA 0+00 TO 82+47	3964.3	0.0	0.0	2973.2	2509.0	+464.2
STA 83+34 TO 105+89	1052.4	0.0	0.0	789.3	259.3	+530.0
SR'S, FE'S & PE'S	10.7	0.0	0.0	8.0	22.0	-14.0
TOTAL	5027.4	0.0	0.0	3770.5	2790.3	+980.2

SHEET TITLE:

SUMMARY OF QUANTITIES & MISC DETAILS

SCALE: VARIES

BY: AMM

DATE: 3/08

REV:

2 OF 32 SHEETS

SHEET NO.