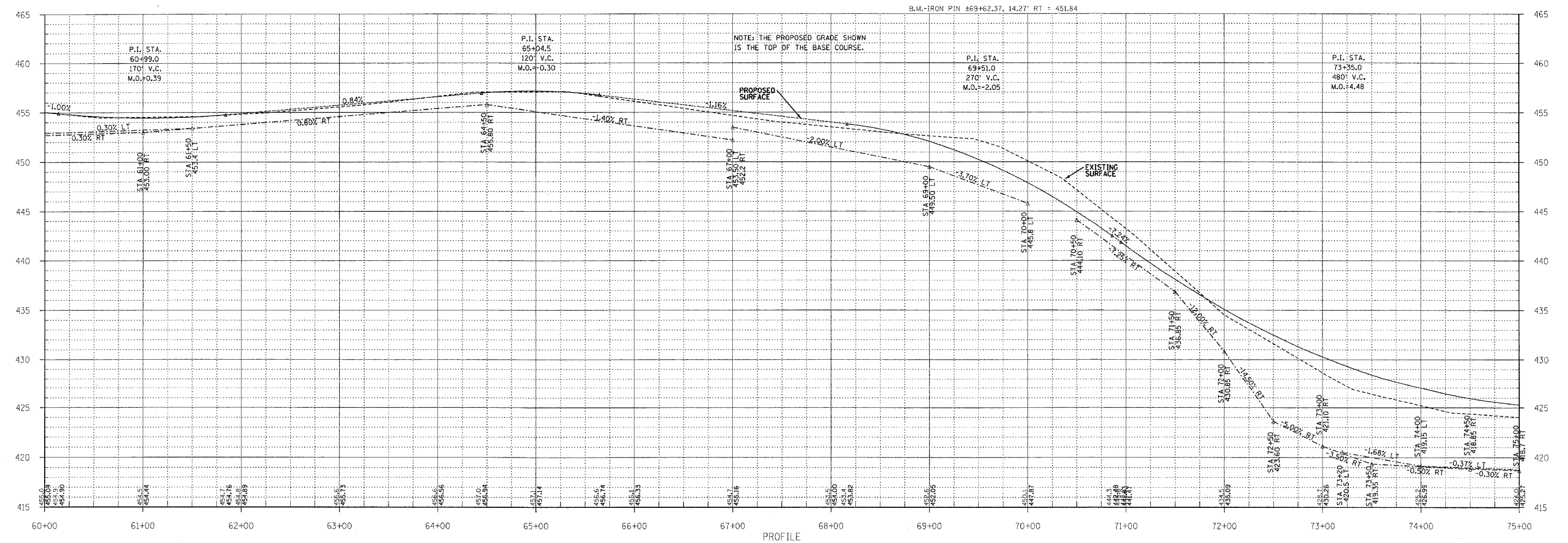
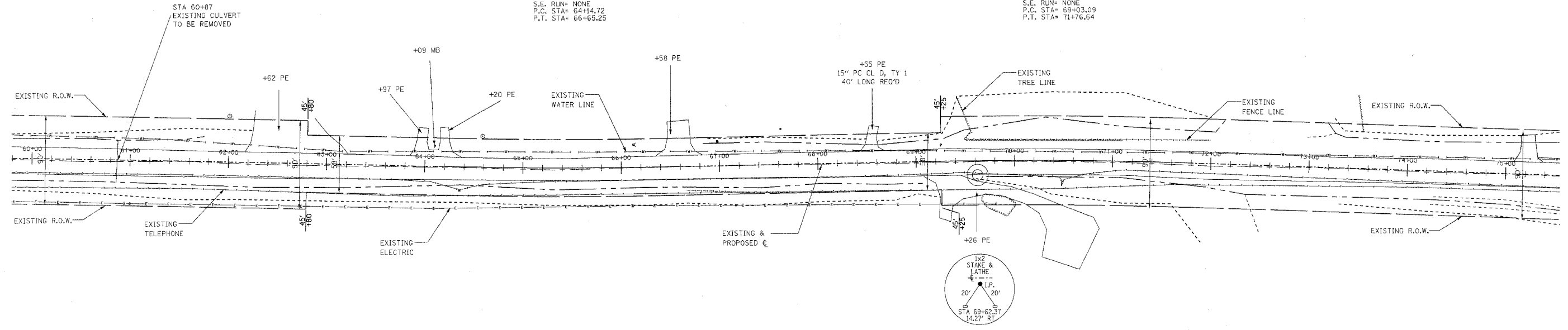


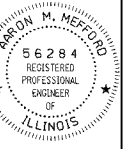
FAS	SECTION	COUNTY	TOTAL SHEETS	SHEET NO.
881	05-00094-00-FP	HAMILTON	32	11
FED. ROAD DIST. NO. 9 ILLINOIS		CORNERVILLE ROAD		323 W. 3RD ST. P.O. BOX 160 MT. CARMEL, IL 62863
PROJECT # RS-8810161		CONTRACT # 99340		PHONE: (618)-262-8651 FAX: (618)-263-3327
LEC JOB # W061022HM				

CURVE #1  
P.I. STA= 65+40.01  
Δ= LT. 2°33'48"  
D= 1°01'23"  
R= 5600'  
T= 125.28'  
L= 250.53'  
E= 1.40'  
e= NONE  
T.R.= NONE  
S.E. RUN= NONE  
P.C. STA= 64+14.72  
P.T. STA= 66+65.25

CURVE #2  
P.I. STA= 70+39.90  
Δ= RT. 2°47'56"  
D= 1°01'23"  
R= 5600'  
T= 136.80'  
L= 273.55'  
E= 1.67'  
e= NONE  
T.R.= NONE  
S.E. RUN= NONE  
P.C. STA= 69+03.09  
P.T. STA= 71+76.64



PROFESSIONAL DESIGN FIRM  
LAND SURVEY & PROFESSIONAL ENGINEERING CORPORATION  
184-000887  
(62-032435)(35-002769)



AARON M. MEFFORD  
NAME  
SIGNATURE  
3-17-09  
DATE  
11-30-09  
EXPIRES

F.A.S. 881 (CH 6)  
CORNERVILLE ROAD  
SECTION 05-00094-00-FP  
HAMILTON COUNTY, ILLINOIS

SHEET TITLE:

PLAN & PROFILE

SCALE:	VARS
BY:	AMM
DATE:	3/17/09
REV:	

11 OF 32 SHEETS

SHEET NO. 11