

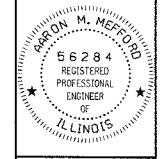
F.A.S.	SECTION	COUNTY	TOTAL SHEETS	SHEET NO.
881	05-00094-00-FP	HAMILTON	32	23
FED. ROAD DIST. NO. 9 ILLINOIS		CORNERVILLE ROAD		
PROJECT# RS-881(116)		CONTRACT# 99340		
LEC JOB # H061022HM				

323 W. 3RD ST.
P.O. BOX 160
MT. CARMEL, IL
62863
PHONE:
(618)-262-8651
FAX:
(618)-263-3327

405 W. STATE ST.
SUITE 1
FRINGETON, IN
47670
PHONE:
(812)-386-7611
FAX:
(812)-385-2612



PROFESSIONAL
DESIGN FIRM
LAND SURVEY &
PROFESSIONAL
ENGINEERING
CORPORATION
184-000897
(62-032435)(35-002769)



AARON M. MEFFORD
NAME
Aaron Mefford
SIGNATURE
3-17-09
DATE
11-30-09
EXPIRES

F.A.S. 881 (CH 6)
CORNERVILLE ROAD
SECTION 05-00094-00-FP
HAMILTON COUNTY, ILLINOIS

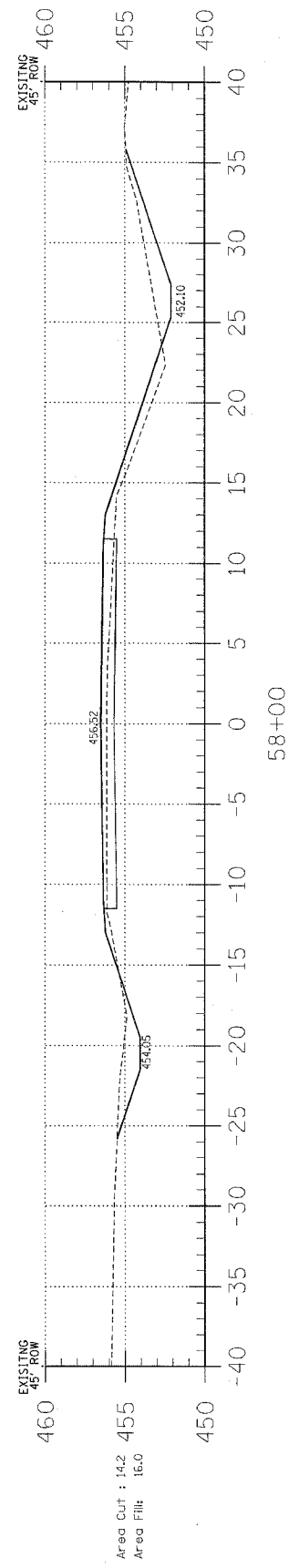
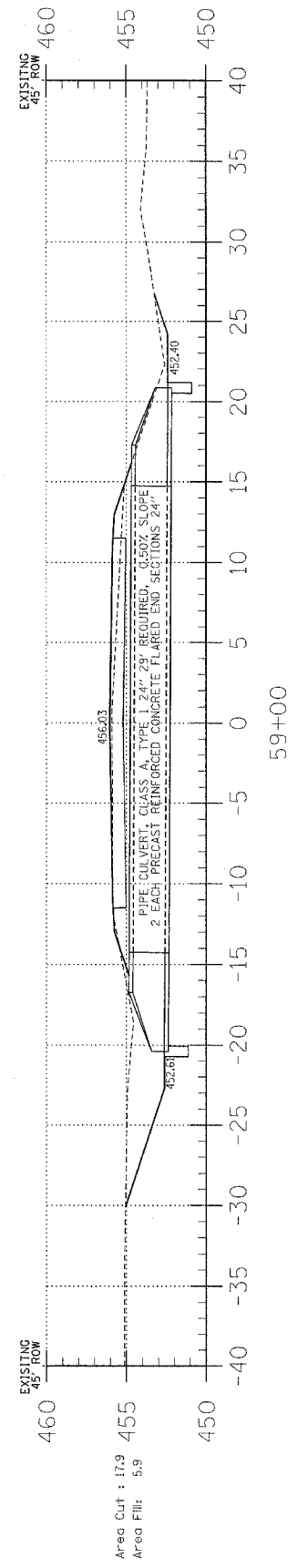
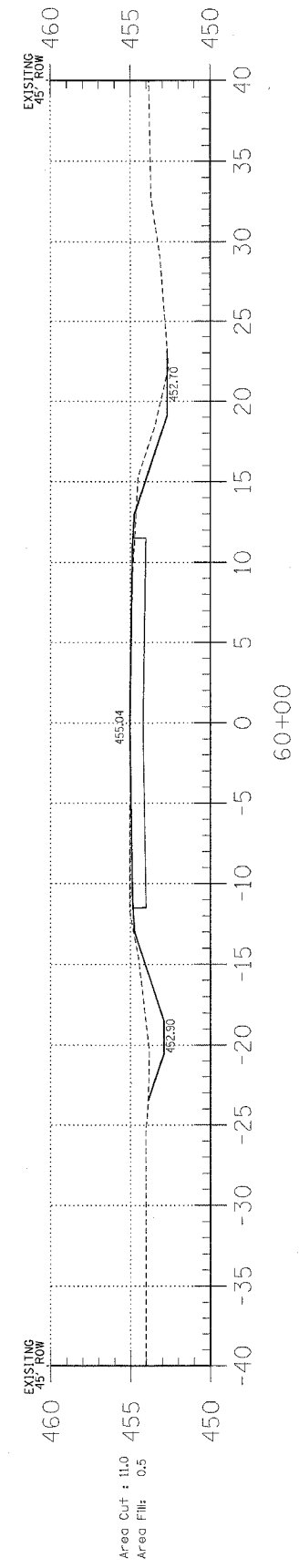
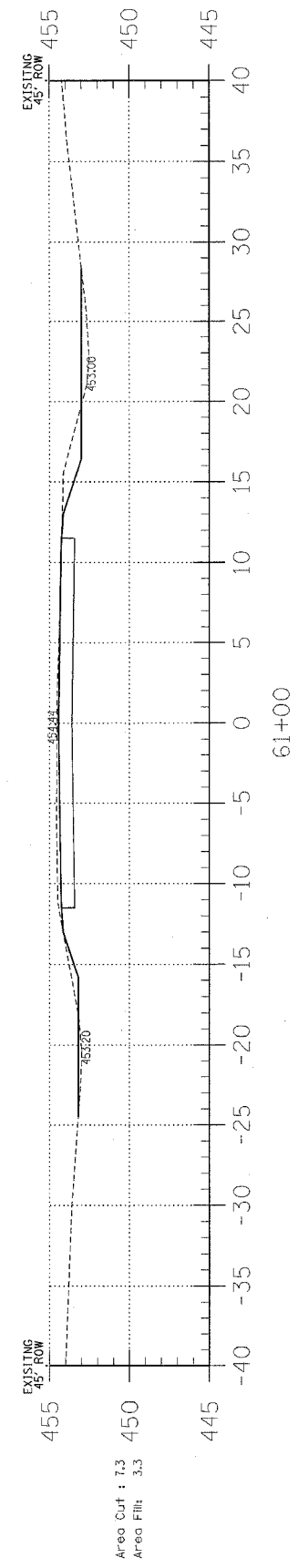
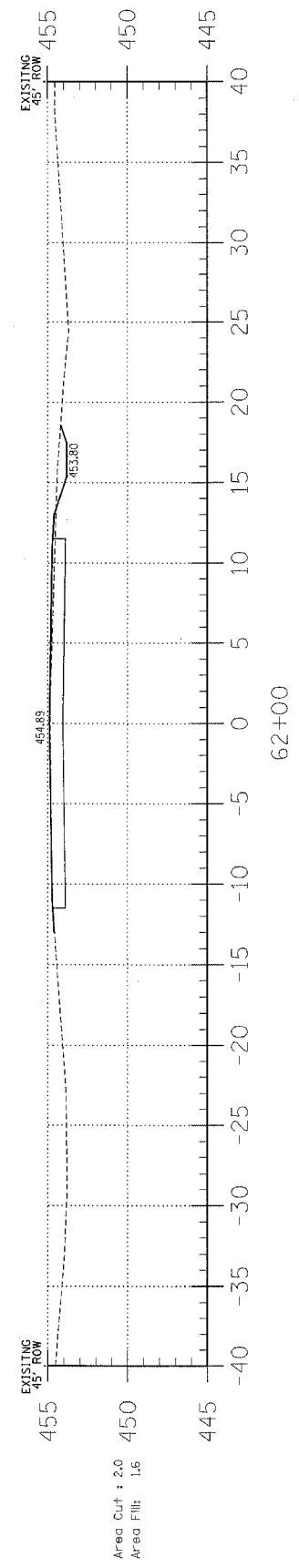
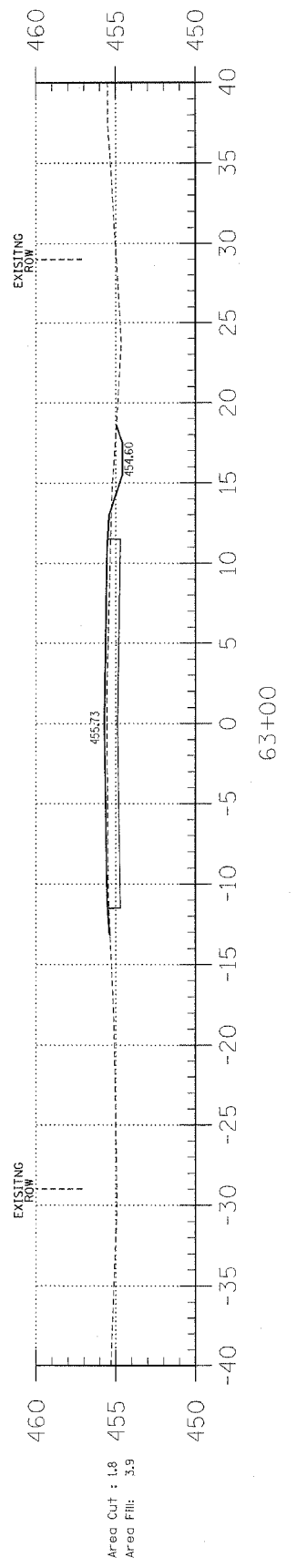
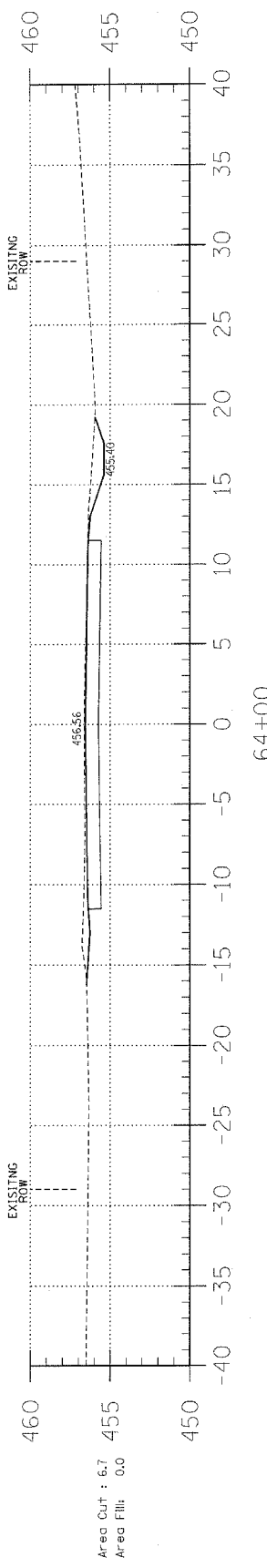
SHEET TITLE:

CROSS-SECTIONS

SCALE: 1" = 5'
BY: AMM
DATE: 2/10/09
REV:

23 OF 32
SHEETS

SHEET NO.
23



PIPE CULVERT, CLASS A, TYPE 1, 24" x 29" REQUIRED. 0.50% SLOPE.
2 EACH PRECAST REINFORCED CONCRETE FLARED END SECTIONS 24"