

INDEX OF SHEETS

SHEET NO.	DESCRIPTION
1	TITLE SHEET
2-3	SUMMARY OF QUANTITIES, TYPICAL SECTIONS, GENERAL NOTES & MISC. DETAILS
4-6	EROSION CONTROL PLAN
7-14	PLAN & PROFILE SHEETS
15-32	ROADWAY CROSS SECTIONS

**THE FOLLOWING STANDARDS
ARE A PART OF THESE PLANS AND
ARE INCLUDED AFTER SHEET NO. 32**

000001-05	STANDARD SYMBOLS, ABBREVIATIONS & PATTERNS
280001-04	TEMPORARY EROSION CONTROL SYSTEMS
406201-01	MAILBOX TURNOUT
542301-02	PRECAST REINFORCED CONCRETE FLARED END SECTION
542306-02	PRECAST REINFORCED CONCRETE ELLIPTICAL FLARED END SECTION
542401-01	METAL END SECTION FOR PIPE CULVERTS
701901-01	TRAFFIC CONTROL DEVICES
720006-02	SIGN PANEL ERECTION DETAILS
720011-01	METAL POSTS FOR SIGNS, MARKERS & DELINEATORS
729001-01	APPLICATIONS OF TYPES A & B METAL POSTS (FOR SIGNS & MARKERS)
B.L.R. 21-8	TYPICAL APPLICATION OF TRAFFIC CONTROL DEVICES FOR CONSTRUCTION ON RURAL LOCAL HIGHWAYS
B.L.R. 22-6	TYPICAL APPLICATION OF TRAFFIC CONTROL DEVICES FOR CONSTRUCTION ON RURAL LOCAL HIGHWAYS (TWO-LANE TWO-WAY RURAL TRAFFIC) (ROAD CLOSED TO THRU TRAFFIC)

PLAN	1" = 50'	
PROFILE	1" = 50'	
PROFILE VERT.	1" = 5'	
CROSS SECTIONS	1" = 5'	

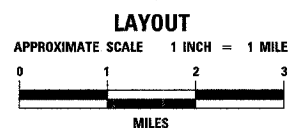
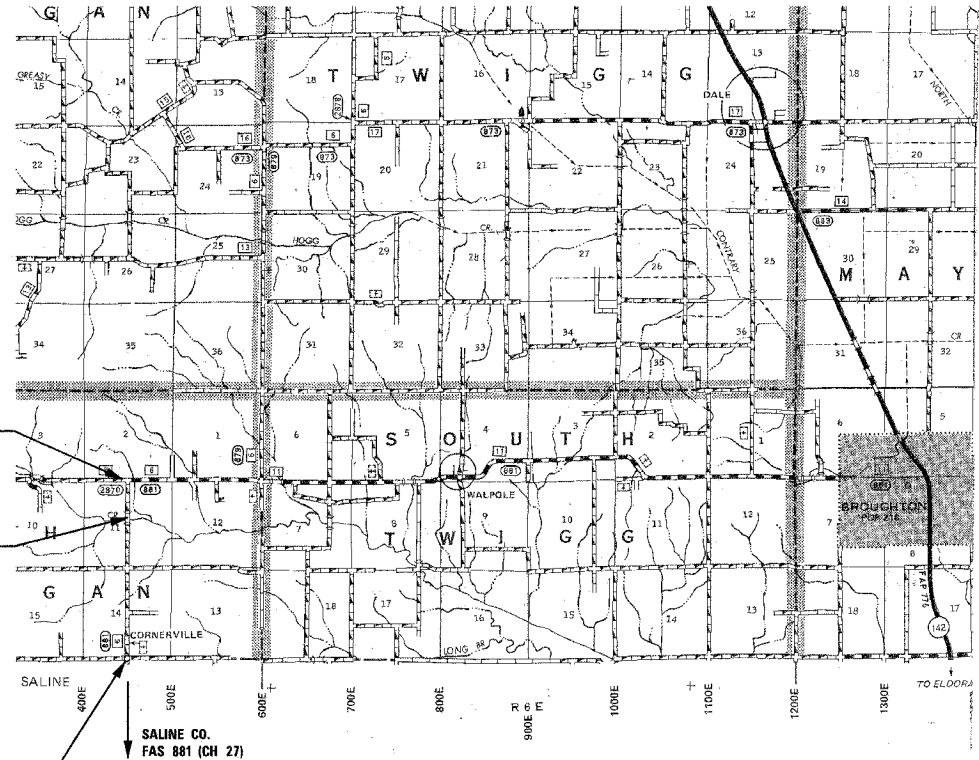
DESIGN DESIGNATION:
DESIGN SPEED: 40 MPH
HIGHWAY CLASS - RURAL MAJOR COLLECTOR
CURRENT A.D.T. = 190
CONTRACT NO. 99340



SECTION 05-00094-00-FP
ENDS STATION 105+90

STRUCTURE # 033-3285
OMISSION
STA 82+47 TO STA 83+34

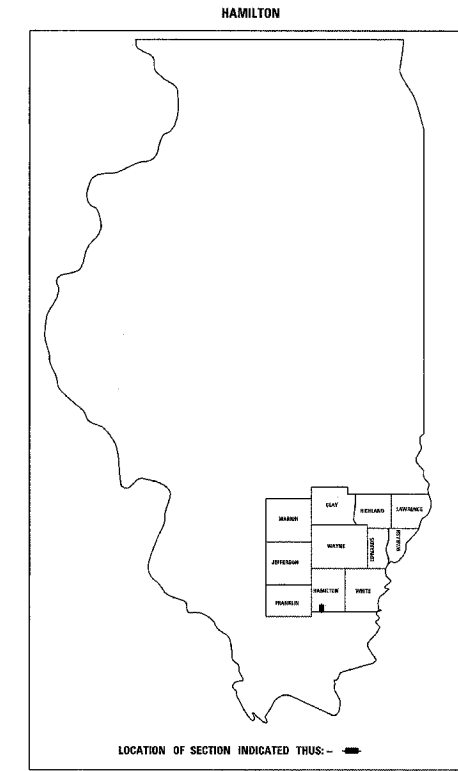
SECTION 05-00094-00-FP
BEGINS STATION 0+09



GROSS LENGTH	10,581 FT	2.004 MILES
OMISSION	87 FT	0.016 MILES
NET LENGTH	10,494 FT	1.988 MILES

STATE OF ILLINOIS
DEPARTMENT OF TRANSPORTATION
DIVISION OF HIGHWAYS
**PLANS FOR PROPOSED
FEDERAL-AID S.T.R. PROJECT**

F.A.S. 881 (CH 6) SECTION 05-00094-00-FP HAMILTON COUNTY
PROJECT RS-881(116) JOB NO. C-99-553-06



STATE OF ILLINOIS
DEPARTMENT OF TRANSPORTATION

APPROVED 3/17/2009
Kim D. Patton
COUNTY ENGINEER

PASSED 4/1/2009
Robert W. Miller
ENGINEER OF LOCAL ROADS AND STREETS

RELEASING FOR BID
BASED ON LIMITED
REVIEW 4/1/09
Mary C. Lamie
MARY C. LAMIE, P.E.
DEPUTY DIRECTOR OF HIGHWAY
REGION FIVE ENGINEER

F.A.S.	SECTION	COUNTY	TOTAL SHEETS	SHEET NO.
881	05-00094-00-FP	HAMILTON	32	1

FED. ROAD DIST. NO. 9 ILLINOIS CORNERVILLE ROAD
PROJECT # RS-881(116) CONTRACT # 99340
LEC JOB # H06L0229M

405 W. STATE ST.
SUITE 1
PRINCETON, IN 47670
PHONE: (812)-386-7611
FAX: (812)-385-2812



PROFESSIONAL
DESIGN FIRM
LAND SURVEY &
PROFESSIONAL
ENGINEERING
CORPORATION
184-00087
(62-032435)(35-002769)



AARON M. MEFFORD
NAME
Aaron M. Mefford
SIGNATURE
3/17/09
DATE
11-30-09
EXPIRES

F.A.S. 881 (CH 6)
CORNERVILLE ROAD
SECTION 05-00094-00-FP
HAMILTON COUNTY, ILLINOIS

SHEET TITLE:
GEN NOTES
MISC DETAILS

SCALE: VARIES

BY: AMM
DATE: 3/10/09
REV:

1 OF 32
SHEETS

SHEET NO.
1

F.A.S.	SECTION	COUNTY	TOTAL SHEETS	SHEET NO.
861	05-00094-00-FP	HAMILTON	32	2
FED. ROAD DIST. NO. 9 ILLINOIS		CORNERVILLE ROAD		
PROJECT # RS-881161		CONTRACT # 99340		
LEC JOB # H06L0224M				

323 W. 3RD ST.
P.O. BOX 160
MT. CARMEL, IL
62863
PHONE:
(618)-262-8651
FAX:
(618)-263-3327

405 W. STATE ST
SUITE 1
PRINCETON, IN
47670
PHONE:
(312)-386-7611
FAX:
(312)-385-2812

LAMAC
ENGINEERING CO.

PROFESSIONAL DESIGN FIRM
LAND SURVEY & PROFESSIONAL ENGINEERING CORPORATION
194-000887
(62-032435)(35-002769)

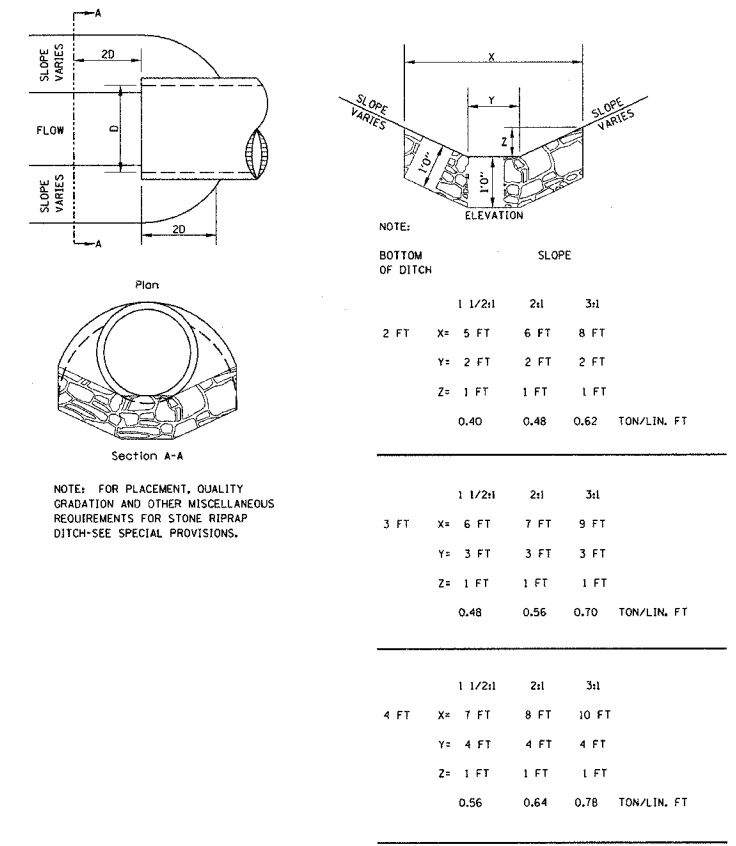
AARON M. MEFFORD
NAME
Aaron Mefford
SIGNATURE
DATE
3/17/09
11-30-09 EXPIRES

F.A.S. 881 (CH 6)
CORNERVILLE ROAD
SECTION 05-00094-00-FP
HAMILTON COUNTY, ILLINOIS

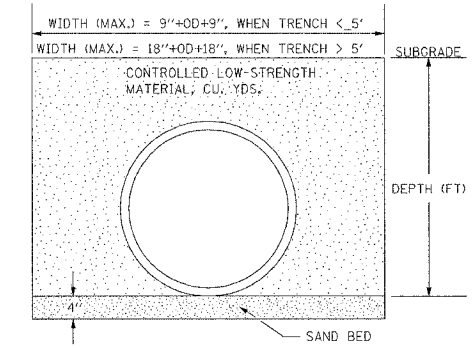
SUMMARY OF QUANTITIES

CODE NO.	ITEM	UNIT	QUANTITY
20100500	TREE REMOVAL, ACRES	ACRE	0.05
20200100	EARTH EXCAVATION	CU YD	5027.00
25001000	SEEDING, CLASS 2 (SPECIAL)	ACRE	7.60
25001845	SEEDING, CLASS 7 (SPECIAL)	ACRE	7.60
28000300	TEMPORARY DITCH CHECKS	EACH	95.00
28000400	PERIMETER EROSION BARRIER	FOOT	320.00
28102600	STONE RIPRAP DITCH	TON	455.00
35200500	CEMENT	100 WT	23829.00
40200800	AGGREGATE SURFACE COURSE, TYPE B	TON	482.00
40300100	BITUMINOUS MATERIALS (PRIME COAT)	GALLON	7677.00
40300300	BITUMINOUS MATERIALS (COVER & SEAL COATS)	GALLON	24039.00
40300500	COVER COAT AGGREGATE	TON	768.00
40300600	SEAL COAT AGGREGATE	TON	384.00
542A0223	PIPE CULVERTS, CLASS A, TYPE 1 18"	FOOT	84.00
542A0229	PIPE CULVERTS, CLASS A, TYPE 1 24"	FOOT	88.00
542A0253	PIPE CULVERTS, CLASS A, TYPE 1 48"	FOOT	65.00
542A5473	PIPE CULVERTS, CLASS A, TYPE 1 EQUIVALENT ROUND-SIZE 18"	FOOT	26.00
542A5479	PIPE CULVERTS, CLASS A, TYPE 1 EQUIVALENT ROUND-SIZE 24"	FOOT	56.00
54200217	PIPE CULVERTS, CLASS D, TYPE 1 12"	FOOT	30.00
54200220	PIPE CULVERTS, CLASS D, TYPE 1 15"	FOOT	140.00
54200223	PIPE CULVERTS, CLASS D, TYPE 1 18"	FOOT	50.00
54200229	PIPE CULVERTS, CLASS D, TYPE 1 24"	FOOT	40.00
54200235	PIPE CULVERTS, CLASS D, TYPE 1 30"	FOOT	50.00
54213663	PRECAST REINFORCED CONCRETE FLARED END SECTIONS 18"	EACH	6.00
54213669	PRECAST REINFORCED CONCRETE FLARED END SECTIONS 24"	EACH	6.00
54213693	PRECAST REINFORCED CONCRETE FLARED END SECTIONS 48"	EACH	4.00
54214503	PRECAST REINFORCED CONCRETE FLARED END SECTIONS, EQUIVALENT ROUND-SIZE 18"	EACH	2.00
54214509	PRECAST REINFORCED CONCRETE FLARED END SECTIONS, EQUIVALENT ROUND-SIZE 24"	EACH	4.00
54215559	METAL END SECTIONS 24"	EACH	2.00
54215665	METAL END SECTIONS 30"	EACH	2.00
59300100	CONTROLLED LOW-STRENGTH MATERIAL	CU YD	118.80
67100100	MOBILIZATION	L SUM	1.00
72000100	SIGN PANEL-TYPE 1	50 FT	61.00
72900100	METAL POST-TYPE A	FOOT	98.30
35200410	PROCESSING SOIL-CEMENT BASE COURSE 10"	50 YD	27123.00

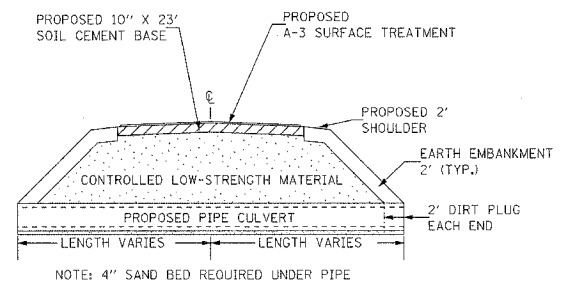
STONE RIPRAP DITCH DESIGN



DETAIL OF ACROSS ROAD REINFORCED CONCRETE CULVERT PIPES



PROPOSED TYPICAL CROSS SECTION AT PIPE CULVERTS



SCHEDULE FOR SIGNS AND POSTS

STA.	LOC.	MUTCD CODE	STYLE	SIZE	SQ. FT	METAL POST-TYPE A LENGTH
26+70	SR RT	W3-1A	STOP AHEAD	36" X 36"	9.00	12.00
26+70	26' RT	RI-1	STOP	30" X 30"	6.25	12.30
52+65	SR LT	W3-1A	STOP AHEAD	36" X 36"	9.00	11.50
52+65	26' LT	RI-1	STOP	30" X 30"	6.25	12.00
53+11	SR RT	W3-1A	STOP AHEAD	36" X 36"	9.00	12.00
53+11	26' RT	RI-1	STOP	30" X 30"	6.25	12.20
101+28	18.25' RT	W3-1A	STOP AHEAD	36" X 36"	9.00	13.50
105+78	28' RT	RI-1	STOP	30" X 30"	6.25	12.80
TOTAL					61.00	98.30

EARTHWORK SCHEDULE

LOCATION	EARTH EXCAVATION	CHANNEL EXCAVATION	ESTIMATED UNSUITABLE MATERIAL	SUITABLE MATERIAL ADJUSTED FOR SHRINKAGE	EMBANKMENT	EARTHWORK BALANCE WASTE (+) OR SHORTAGE (-)
	CUBIC YARD	CUBIC YARD	CUBIC YARD	CUBIC YARD	CUBIC YARD	CUBIC YARD
STA 0+00 TO 82+47	3964.3	0.0	0.0	2973.2	2509.0	+464.2
STA 83+34 TO 105+89	1052.4	0.0	0.0	789.3	259.3	+530.0
SR'S, FE'S & PE'S	10.7	0.0	0.0	8.0	22.0	-14.0
TOTAL	5027.4	0.0	0.0	3770.5	2790.3	+980.2

SHEET TITLE:
SUMMARY OF QUANTITIES & MISC DETAILS

SCALE: VARIES

BY: AMM

DATE: 3/08

REV:

2 OF 32 SHEETS

SHEET NO. 2

GENERAL NOTES:

THIS PROJECT SHALL BE CONSTRUCTED IN ACCORDANCE WITH THE PLANS, SPECIAL PROVISIONS AND "STANDARD SPECIFICATIONS FOR ROAD AND BRIDGE CONSTRUCTION", ADOPTED JANUARY 1, 2007.

THE WORK INVOLVED ON THIS SECTION CONSISTS OF EARTH EXCAVATION, EMBANKMENT AN A-3 BITUMINOUS SURFACE TREATMENT ON A 10" SOIL CEMENT BASE AND OTHER MISCELLANEOUS ITEMS.

ALL ELEVATIONS ARE BASED ON U.S.G.S. MEAN SEA LEVEL DATUM.

IT SHALL BE THE CONTRACTORS RESPONSIBILITY TO CONTACT ALL UTILITIES AFFECTING THE PROJECT, PRIOR TO CONSTRUCTION.

THE CONTRACTOR SHALL BE RESPONSIBLE FOR ALL FEES, PERMITS, LICENSES, COSTS, AND PAYMENTS TO GOVERNMENTAL AUTHORITIES FOR THE ISSUANCE OF PERMITS.

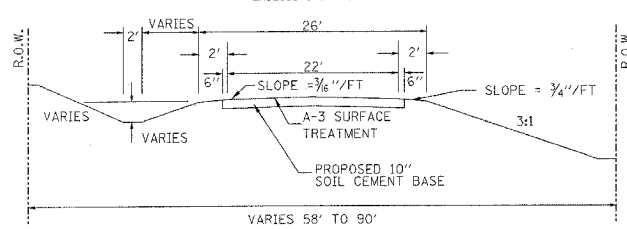
THE FOLLOWING RATES HAVE BEEN USED TO CALCULATE PLAN QUANTITIES:

BITUMINOUS MATERIALS (PRIME COAT)	0.25 GAL / SQ YD
BITUMINOUS MATERIALS (COVER COAT)	0.25 GAL / SQ YD
BITUMINOUS MATERIALS (SEAL COAT)	0.25 GAL / SQ YD
COVER COAT AGGREGATE	25 LBS / SQ YD
SEAL COAT AGGREGATE	25 LBS / SQ YD

TYPICAL CROSS SECTION

PROPOSED

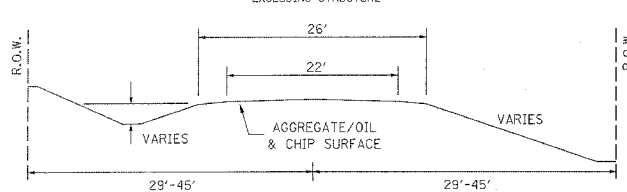
STA 0+09 TO STA 105+90 EXCLUDING STRUCTURE



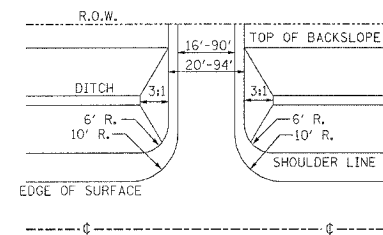
TYPICAL CROSS SECTION

EXISTING

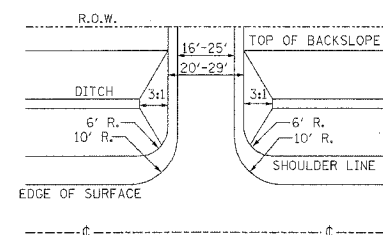
STA 0+09 TO STA 105+90 EXCLUDING STRUCTURE



PRIVATE ENTRANCE DETAIL



FIELD ENTRANCE DETAIL



SCHEDULE FOR TEMPORARY DITCH CHECKS

STATION	LOCATION	QUANTITY	STATION	LOCATION	QUANTITY
2+25	LT	1.0	2+25	RT	1.0
5+75	LT	1.0	5+75	RT	1.0
7+00	LT	1.0	7+00	RT	1.0
8+25	LT	1.0	8+25	RT	1.0
10+50	LT	1.0	10+50	RT	1.0
11+75	LT	1.0	11+75	RT	1.0
13+00	LT	1.0	13+00	RT	1.0
14+25	LT	1.0	14+25	RT	1.0
15+50	LT	1.0	15+50	RT	1.0
16+75	LT	1.0	16+75	RT	1.0
18+00	LT	1.0	18+00	RT	1.0
19+25	LT	1.0	19+25	RT	1.0
20+50	LT	1.0	20+50	RT	1.0
21+75	LT	1.0	21+75	RT	1.0
23+00	LT	1.0	23+00	RT	1.0
24+25	LT	1.0	24+25	RT	1.0
25+50	LT	1.0	25+50	RT	1.0
26+75	LT	1.0	26+75	RT	1.0
28+00	LT	1.0	28+00	RT	1.0
31+75	LT	1.0	31+75	RT	1.0
33+00	LT	1.0	33+00	RT	1.0
34+25	LT	1.0	34+25	RT	1.0
35+50	LT	1.0	35+50	RT	1.0
36+75	LT	1.0	36+75	RT	1.0
38+75	LT	1.0	38+75	RT	1.0
40+00	LT	1.0	40+00	RT	1.0
41+25	LT	1.0	41+25	RT	1.0
42+50	LT	1.0	42+50	RT	1.0
45+50	LT	1.0	45+50	RT	1.0
46+75	LT	1.0	46+75	RT	1.0
48+00	LT	1.0	48+00	RT	1.0
49+25	LT	1.0	49+25	RT	1.0
51+75	LT	1.0	51+75	RT	1.0
53+50	LT	1.0	53+50	RT	1.0
54+75	LT	1.0	54+75	RT	1.0
56+00	LT	1.0	56+00	RT	1.0
60+00	LT	1.0	60+00	RT	1.0
68+25	LT	1.0	68+25	RT	1.0
69+50	LT	1.0	69+50	RT	1.0
74+25	LT	1.0	74+25	RT	1.0
84+75	LT	1.0	84+75	RT	1.0
86+00	LT	1.0	86+00	RT	1.0
87+25	LT	1.0	87+25	RT	1.0
89+50	LT	1.0	89+50	RT	1.0
91+50	LT	1.0	91+50	RT	1.0
92+75	LT	1.0	92+75	RT	1.0
94+00	LT	1.0	94+00	RT	1.0
103+00	LT	1.0	103+00	RT	1.0

TOTAL = 95.0 EACH

AGGREGATE SURFACE COURSE TYPE B

STATION	TONNAGE
68+00 TO 76+00	310

NOTES: AGGREGATE SURFACE COURSE TYPE B SHALL BE PLACED AFTER GRADING AND PRIOR TO PROCESSING SOIL-CEMENT BASE COURSE.

CONSTRUCT SPECIAL DITCH

- STA 1+00 TO STA 3+50 LT & RT
- STA 3+80 TO STA 4+89 LT & RT
- STA 4+89 TO STA 9+50 LT & RT
- STA 9+50 TO STA 29+22.5 LT & RT
- STA 29+22.5 TO STA 30+00 LT
- STA 29+22.5 TO STA 30+60 RT
- STA 30+60 TO STA 37+72 LT & RT
- STA 37+72 TO STA 43+50 RT
- STA 38+15 TO STA 43+50 LT
- STA 43+50 TO STA 48+83 RT
- STA 44+75 TO STA 48+83 LT
- STA 48+83 TO STA 50+50 LT & RT
- STA 50+50 TO STA 52+50 RT
- STA 50+50 TO STA 53+07 LT
- STA 53+07 TO STA 64+50 RT
- STA 53+07 TO STA 57+00 LT
- STA 57+50 TO STA 59+00 LT
- STA 59+00 TO STA 61+50 LT
- STA 64+50 TO STA 67+00 RT
- STA 67+00 TO STA 70+00 LT
- STA 70+50 TO STA 75+00 RT
- STA 73+20 TO STA 75+50 LT
- STA 84+50 TO STA 85+00 LT
- STA 88+00 TO STA 90+89 LT
- STA 90+89 TO STA 95+00 LT
- STA 101+50 TO STA 104+00 LT & RT
- STA 104+00 TO STA 104+50 LT & RT

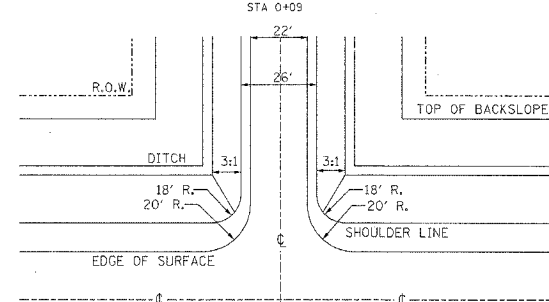
CONSTRUCT STONE RIPRAP DITCH

- STA 0+09 25' to 30' LT & RT (0.62 TON/LIN FT)
- STA 4+82 TO STA 5+02 LT & RT (0.62 TON/LIN FT)
- STA 29+08 TO STA 29+28 LT (0.62 TON/LIN FT)
- STA 29+18 TO STA 29+38 RT (0.62 TON/LIN FT)
- STA 37+00 TO STA 37+82 RT (0.62 TON/LIN FT)
- STA 37+50 TO STA 37+82 LT (0.62 TON/LIN FT)
- STA 48+73 TO STA 48+93 LT & RT (0.62 TON/LIN FT)
- STA 52+62 TO STA 52+72 LT (0.62 TON/LIN FT)
- STA 53+05 TO STA 53+15 LT & RT (0.62 TON/LIN FT)
- STA 58+90 TO STA 59+10 LT & RT (0.62 TON/LIN FT)
- STA 70+50 TO STA 73+50 RT (0.62 TON/LIN FT)
- STA 90+00 TO STA 91+00 LT (0.62 TON/LIN FT)
- STA 90+80 TO STA 91+00 RT (0.62 TON/LIN FT)

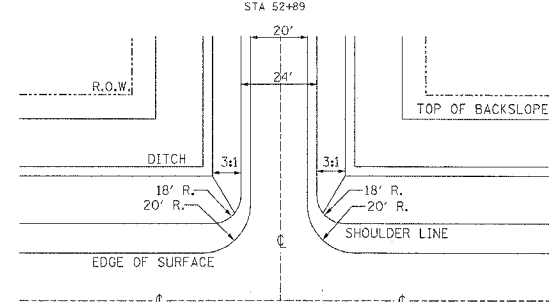
455 TON STONE RIPRAP DITCH ALLOWED IN PROPOSAL.

SEE SHEET NO. 2 FOR STONE RIPRAP DITCH DETAIL.

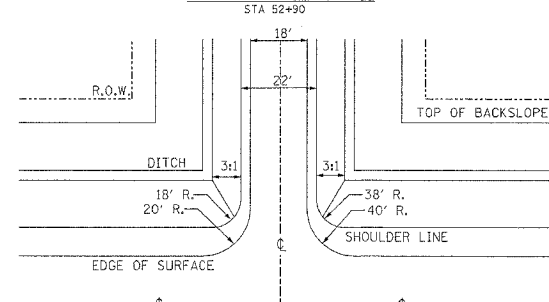
INTERSECTION DETAIL



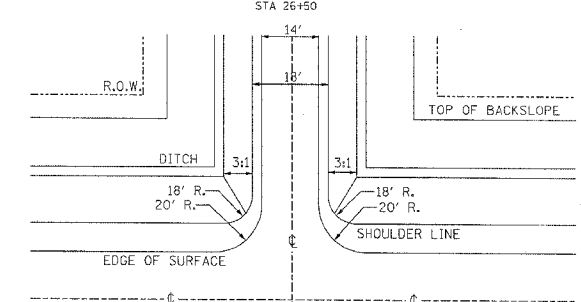
SIDEROAD DETAIL



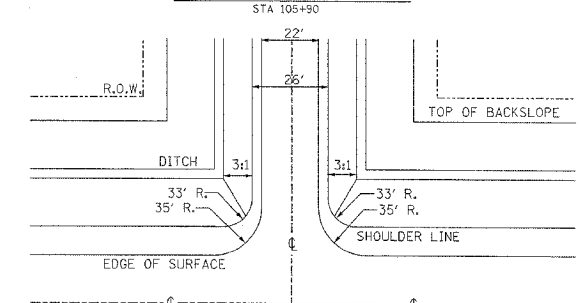
SIDEROAD DETAIL



SIDEROAD DETAIL



INTERSECTION DETAIL



SCHEDULE OF SIDEROAD, FIELD & PRIVATE ENTRANCES

STATION	LOCATION	TYPE	PROPOSED PIPE	PROPOSED LENGTH	CLSM (CY)	STATION	LOCATION	TYPE	PROPOSED PIPE	PROPOSED LENGTH	CLSM (CY)
3+64	LT	PE	NONE-SUMMIT	-	-	1+40	RT	FE	12" CL D	30	-
13+34	LT	FE	15" CL D	40	-	26+50	RT	FE	18" CL A	24	3.6
19+60	LT	FE	15" CL D	30	-	45+75	RT	FE	15" CL D	30	-
30+38	LT	PE	NONE-SUMMIT	-	-	52+90	RT	SR	NONE	-	-
43+68	LT	PE	NONE	-	-	57+11	RT	PE	30" CL D	50	-
44+47	LT	PE	NONE	-	-	69+26	RT	PE	NONE	-	-
52+89	LT	SR	18" CL A	21	4.6	79+55	RT	FE	LEAVE IN PLACE	-	-
57+18	LT	PE	NONE	-	-						
62+62	LT	PE	NONE	-	-						
63+97	LT	PE	NONE	-	-						
64+20	LT	PE	NONE	-	-						
66+58	LT	PE	NONE	-	-						
68+55	LT	PE	15" CL D	40	-						
75+22	LT	FE	18" CL D	50	-						
93+52	LT	FE	24" CL D	40	-						

UTILITIES:

- JULI.I.E. 1-800-892-0123
- SOUTHEASTERN ILLINOIS ELECTRIC CO-OP 1-800-833-2611
- SALINE VALLEY WATER DISTRICT 1-618-276-4911
- HAMILTON COUNTY TELEPHONE CO-OP 1-618-736-2211

SCHEDULE OF ACROSS ROAD PIPE CULVERTS, CLASS A, TYPE 1

STATION	SIZE	SKREW	PROPOSED LENGTH	CLSM (CY)
0+15	18"	0°	39	9.5
4+89	18" EORS	0°	26	5.7
29+22.5	24" EORS	10° RT	28	7.8
29+22.5	24" EORS	10° RT	28	7.8
37+72	48"	0°	35	32.8
48+83	24"	0°	28	7.8
53+07	24"	0°	31	9.1
59+00	24"	0°	29	8.1
77+95	LEAVE IN PLACE	-	-	-
90+89	48"	0°	30	22.0
105+74	LEAVE IN PLACE	-	-	-

TREE REMOVAL SCHEDULE

STATION	LOCATION
65+50 TO 71+26	LT

F.A.S.	SECTION	COUNTY	TOTAL SHEETS	SHEET NO.
881	05-00094-00-PP	HAMILTON	32	3
FED. ROAD DIST. NO. 9 ILLINOIS		CORNERVILLE ROAD		
PROJECT # RS-881(16)		CONTRACT # 99340		
LEC JOB # H061022M				

323 W. 3RD ST.
P.O. BOX 160
MT. CARMEL, IL
62863
PHONE: (618)-262-8651
FAX: (618)-263-3327

405 W. STATE ST
SUITE 1
PRINCETON, IN
47670
PHONE: (812)-386-7611
FAX: (812)-386-2812



PROFESSIONAL DESIGN FIRM
LAND SURVEY & PROFESSIONAL ENGINEERING CORPORATION
184-000887
(62-032435)(35-002769)



AARON M. MEFFORD
NAME
SIGNATURE
3-17-09
DATE
11-30-09 EXPIRES

F.A.S. 881 (CH 6)
CORNERVILLE ROAD
SECTION 05-00094-00-PP
HAMILTON COUNTY, ILLINOIS

SHEET TITLE:

GEN NOTES
MISC DETAILS

SCALE: VARIES

BY: AMM

DATE: 3/10/09

REV:

3 OF 32 SHEETS

SHEET NO. 3

P.I. STA= 6+00.00
Δ= 00°02'52" LT

P.I. STA= 12+00.00
Δ= 00°05'19" LT

FAS	SECTION	COUNTY	TOTAL SHEETS	SHEET NO.
881	05-00094-00-FP	HAMILTON	32	4
FED. ROAD DIST. NO. 9 ILLINOIS		CORNERVILLE ROAD		
PROJECT * RS-881116D		CONTRACT * 99340		
LEC JOB * H06D.027HM				

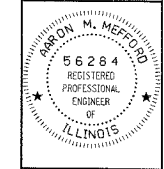
323 W. 3RD ST.
P.O. BOX 160
MT. CARMEL, IL
62863
PHONE:
(618)-262-8651
FAX:
(618)-263-3327

405 W. STATE ST
SUITE 1
PRINCETON, IN
47670
PHONE:
(812)-386-7611
FAX:
(812)-385-2812



PROFESSIONAL
DESIGN FIRM
LAND SURVEY &
PROFESSIONAL
ENGINEERING
CORPORATION

184-001887
(82-032435)(35-002789)



AARON M. MEFFORD
NAME
SIGNATURE
3-17-09
DATE
11-30-09
EXPIRES

F.A.S. 881 (CH 6)
CORNERVILLE ROAD
SECTION 05-00094-00-FP
HAMILTON COUNTY, ILLINOIS

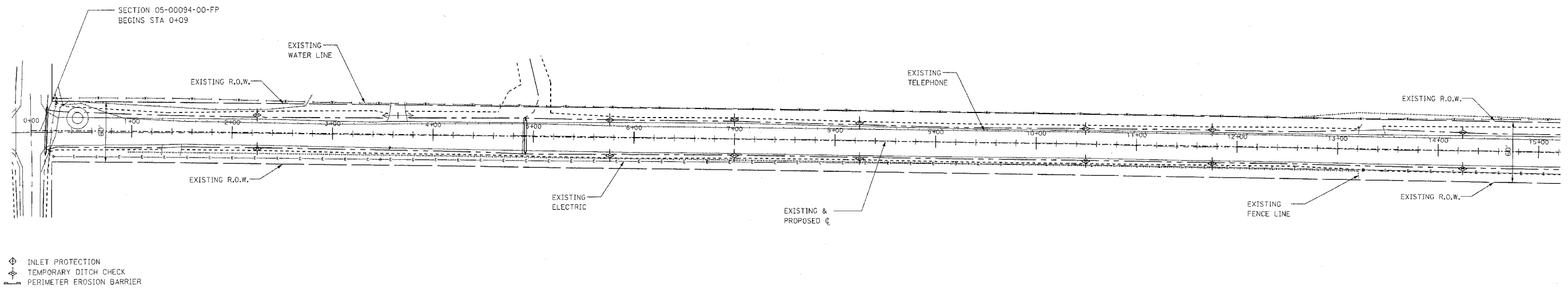
SHEET TITLE:

EROSION
CONTROL
PLAN

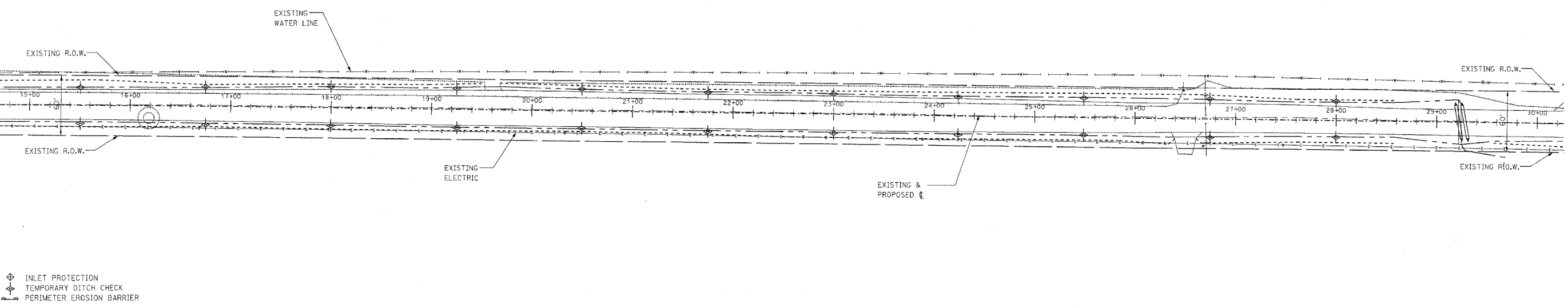
SCALE:	VARIES
BY:	AMM
DATE:	2/19/09
REV:	

4 OF 32
SHEETS

SHEET NO.
4

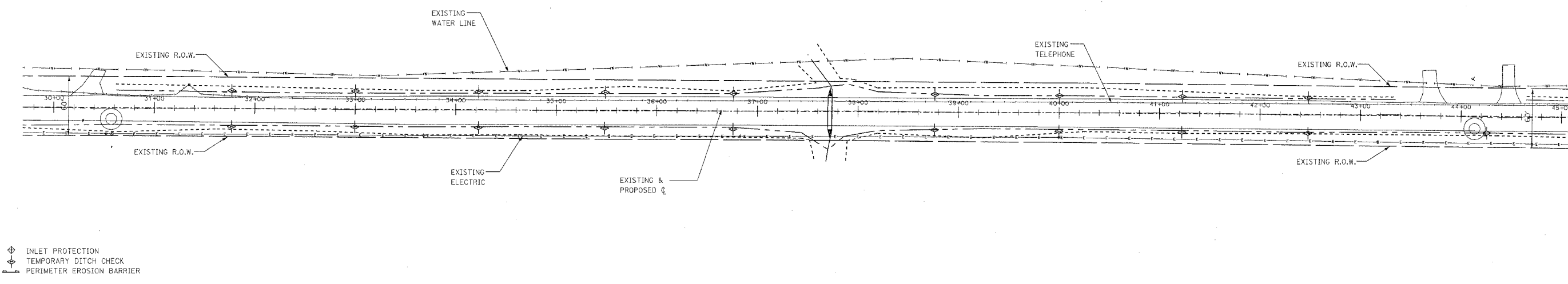


P.I. STA= 26+00.00
Δ= 00°15'42" LT



P.I. STA= 32+00.00
Δ= 00°11'14" LT

P.I. STA= 40+00.00
Δ= 00°06'22" RT



FAS	SECTION	COUNTY	TOTAL SHEETS	SHEET NO.
B81	05-00094-00-FP	HAMILTON	32	5
FED. ROAD DIST. NO. 9 ILLINOIS		CORNERVILLE ROAD		
PROJECT * RS-881(116)		CONTRACT * 99340		
LEC JOB * H06L0224M				

323 W. 3RD ST.
P.O. BOX 160
MT. CARMEL, IL
62863
PHONE:
(618)-262-8651
FAX:
(618)-263-3327

405 W. STATE ST.
SUITE 1
SPRINGETON, IN
47670
PHONE:
(812)-386-7611
FAX:
(812)-385-2812



PROFESSIONAL
DESIGN FIRM
LAND SURVEY &
PROFESSIONAL
ENGINEERING
CORPORATION



AARON M. MEFFORD
NAME
Aaron M. Mefford
SIGNATURE
3-17-09
DATE
11-30-09
EXPIRES

F.A.S. 881 (CH 6)
CORNERVILLE ROAD
SECTION 05-00094-00-FP
HAMILTON COUNTY, ILLINOIS

SHEET TITLE:

EROSION CONTROL PLAN

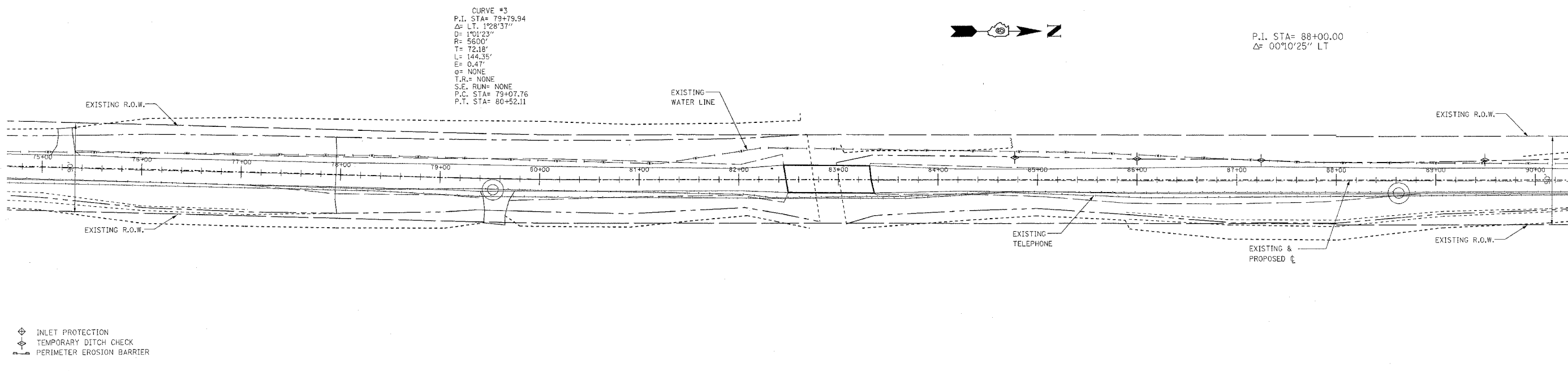
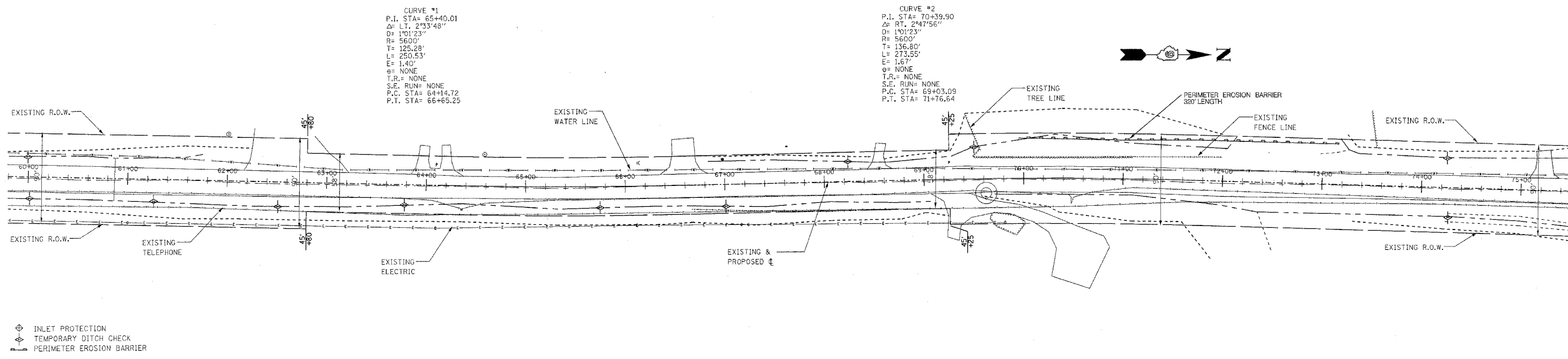
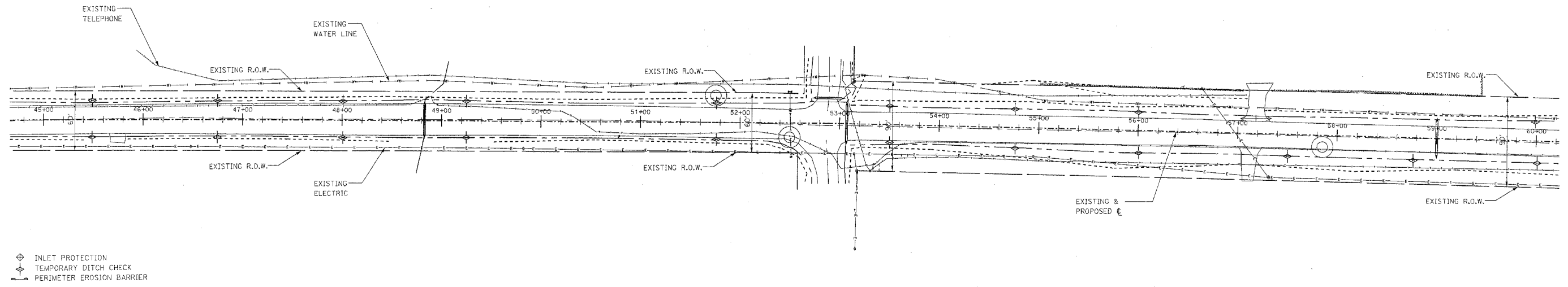
SCALE: VARIES
BY: AMM
DATE: 2009
REV:

5 OF 32
SHEETS

SHEET NO.
5

P.I. STA= 46+40.00
Δ= 00°15'13" RT

P.I. STA= 52+87.56
Δ= 00°49'42" RT



⊕ INLET PROTECTION
⊕ TEMPORARY DITCH CHECK
⊕ PERIMETER EROSION BARRIER

⊕ INLET PROTECTION
⊕ TEMPORARY DITCH CHECK
⊕ PERIMETER EROSION BARRIER

⊕ INLET PROTECTION
⊕ TEMPORARY DITCH CHECK
⊕ PERIMETER EROSION BARRIER

FAS	SECTION	COUNTY	TOTAL SHEETS	SHEET NO.
881	05-00094-00-FP	HAMILTON	32	6
FED. ROAD DIST. NO. 9 ILLINOIS		CORNERVILLE ROAD		
PROJECT # RS-881(16)		CONTRACT # 99340		
LEC JOB # 06L0221M				

323 W. 3RD. ST.
P.O. BOX 160
MT. CARMEL, IL
62863
PHONE:
(618)-262-8651
FAX:
(618)-263-3327

405 W. STATE ST.
SUITE 1
PRINCETON, IN
47670
PHONE:
(812)-386-7611
FAX:
(812)-385-2812



PROFESSIONAL DESIGN FIRM
LAND SURVEY &
PROFESSIONAL ENGINEERING CORPORATION
184-000887
(62-032435)(35-002769)



AARON M. MEFFORD
NAME
Aaron M. Mefford
SIGNATURE
3-17-09
DATE
11-30-09
EXPIRES

F.A.S. 881 (CH 6)
CORNERVILLE ROAD
SECTION 05-00094-00-FP
HAMILTON COUNTY, ILLINOIS

SHEET TITLE:

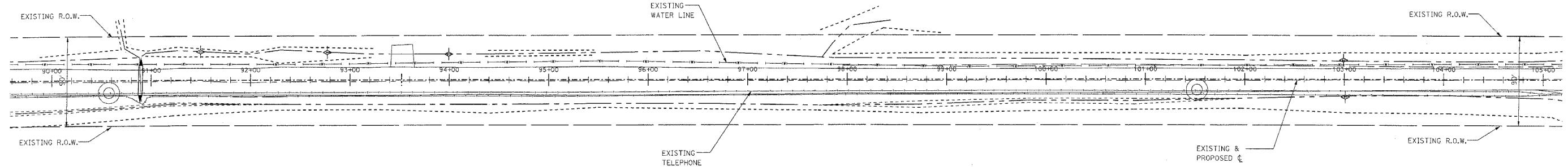
EROSION CONTROL PLAN

SCALE: VARIES
BY: AMM
DATE: 3/17/09
REV:

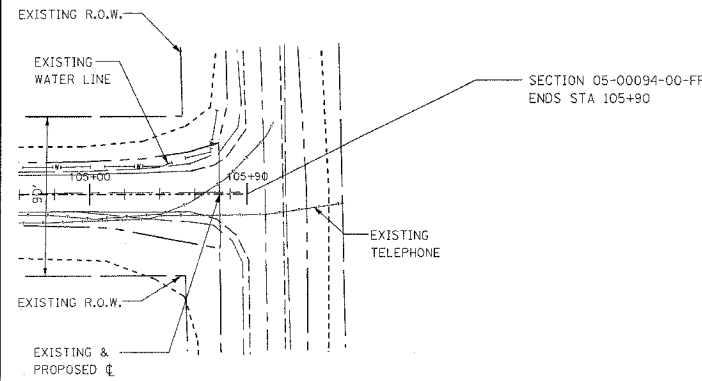
6 OF 32 SHEETS

SHEET NO.
6

P.I. STA= 96+00.00
Δ= 00°07'35" LT

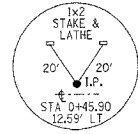


- ⊕ INLET PROTECTION
- ⊕ TEMPORARY DITCH CHECK
- PERIMETER EROSION BARRIER



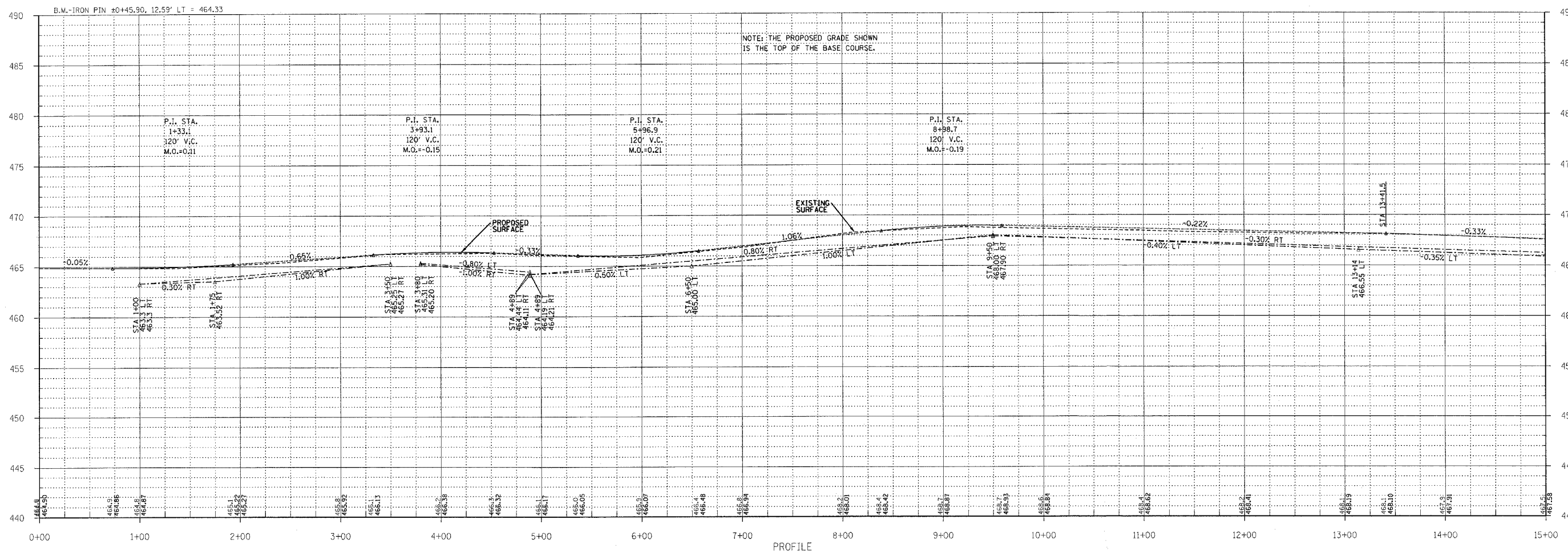
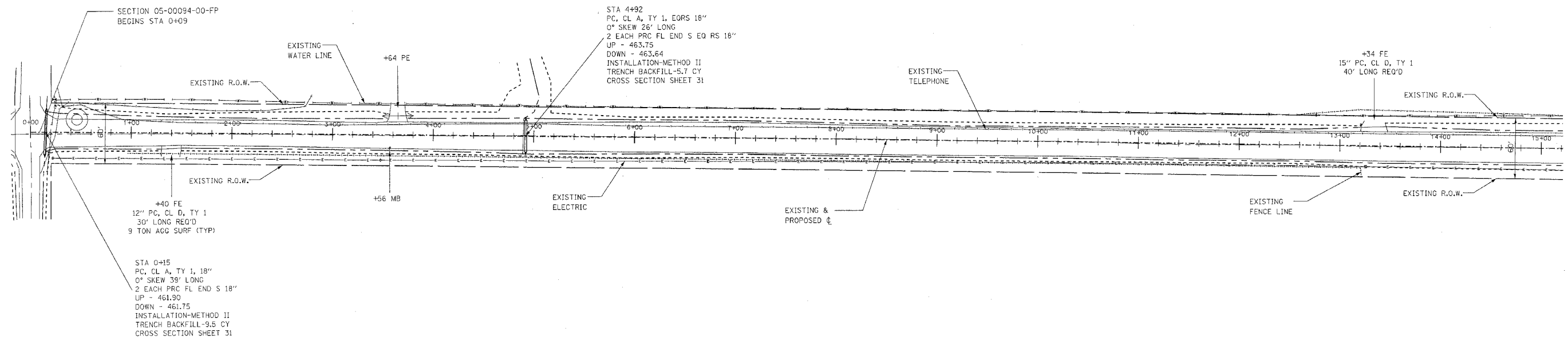
- ⊕ INLET PROTECTION
- ⊕ TEMPORARY DITCH CHECK
- PERIMETER EROSION BARRIER

FAS	SECTION	COUNTY	TOTAL SHEETS	SHEET NO.
881	05-00094-00-FP	HAMILTON	32	7
323 W. 3RD ST. P.O. BOX 160 MT. CARMEL, IL 62863				
FED. ROAD DIST. NO. 9 ILLINOIS CORNERVILLE ROAD				
PROJECT * RS-881(16)				
CONTRACT * 99340				
LEC JOB * H061022RM				
PHONE: (618)-262-8651 FAX: (618)-263-3327				
405 W. STATE ST. SUITE 1 PRINCETON, IN 47670				
PHONE: (812)-386-7611 FAX: (812)-385-2812				



P.I. STA= 6+00.00
Δ= 00°02'52" LT

P.I. STA= 12+00.00
Δ= 00°05'19" LT



PROFESSIONAL DESIGN FIRM
LAND SURVEY & PROFESSIONAL ENGINEERING CORPORATION
184-00087
(62-032435)(35-002769)

AARON M. MEFFORD
NAME
SIGNATURE
3-17-09
DATE
11-30-09
EXPIRES

F.A.S. 881 (CH 6)
CORNERVILLE ROAD
SECTION 05-00094-00-FP
HAMILTON COUNTY, ILLINOIS

SHEET TITLE:	
PLAN & PROFILE	
SCALE:	VARIES
BY:	AMM
DATE:	2/09
REV:	
7	OF 32
SHEETS	
SHEET NO. 7	

FAS	SECTION	COUNTY	TOTAL SHEETS	SHEET NO.
881	05-00094-00-FP	HAMILTON	32	8
FED. ROAD DIST. NO. 9 ILLINOIS		CORNERVILLE ROAD		
PROJECT # RS-881(1)G		CONTRACT # 99340		
LEC JOB # H061022HM				

323 W. 3RD ST.
P.O. BOX 160
MT. CARMEL, IL
62863
PHONE:
(618)-262-8651
FAX:
(618)-263-3327

405 W. STATE ST
SUITE 1
PRINCETON, IN
47670
PHONE:
(812)-386-7611
FAX:
(812)-385-2812



PROFESSIONAL DESIGN FIRM
LAND SURVEY & PROFESSIONAL ENGINEERING CORPORATION
184-00087
(62-032435)(35-002769)



AARON M. MEFFORD
NAME
[Signature]
SIGNATURE
3-17-09
DATE
11-30-09
EXPIRES

F.A.S. 881 (CH 6)
CORNERVILLE ROAD
SECTION 05-00094-00-FP
HAMILTON COUNTY, ILLINOIS

SHEET TITLE:

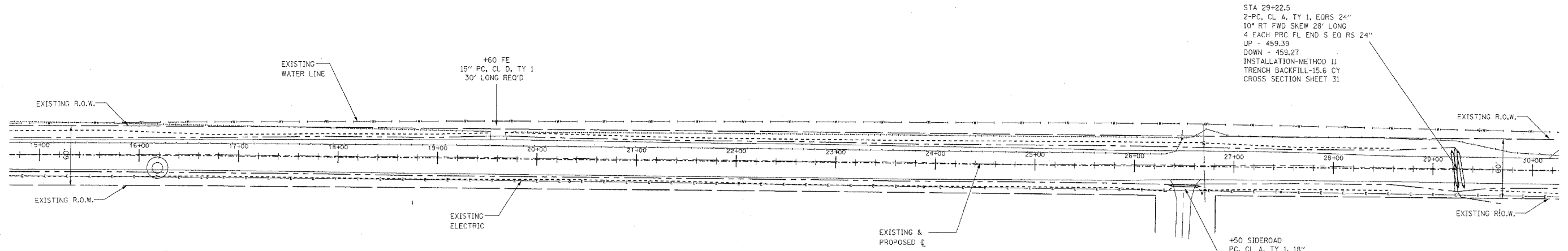
PLAN & PROFILE

SCALE:	VARES
BY:	AMM
DATE:	3/7/09
REV:	

8 OF 32 SHEETS

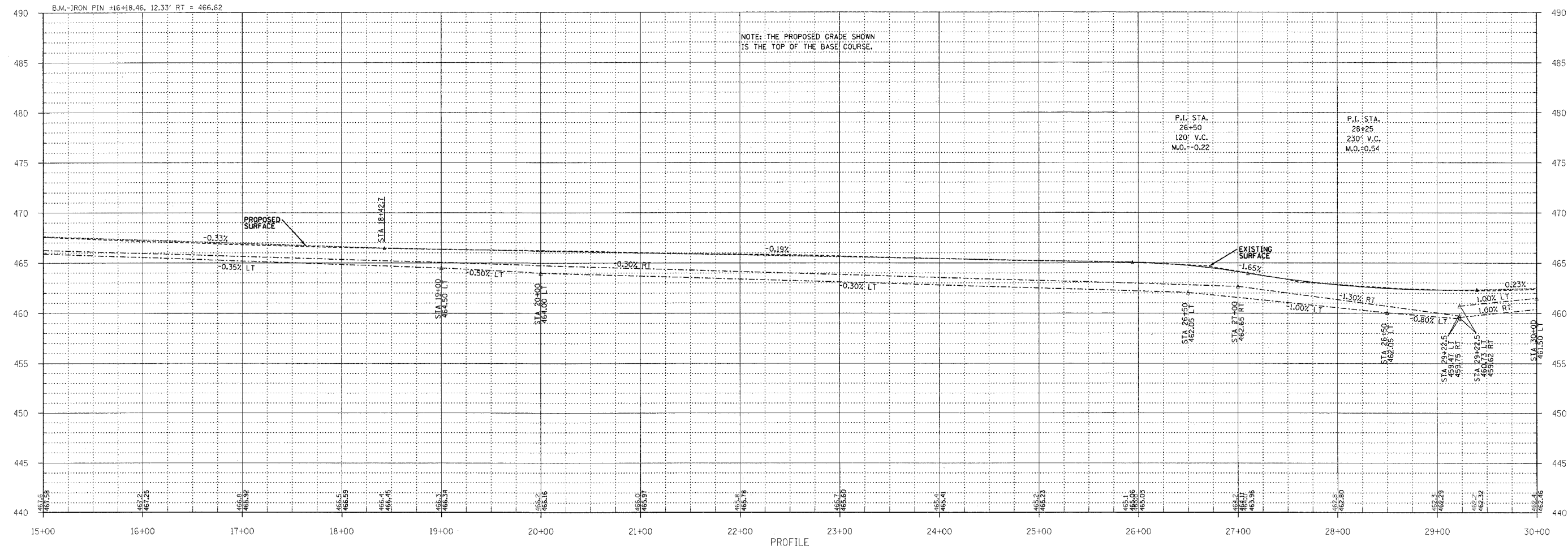
SHEET NO.
8

P.I. STA= 26+00.00
Δ= 00°15'42" LT



STA 29+22.5
2-PC, CL A, TY 1, EORS 24"
10° RT FWD SKEW 28' LONG
4 EACH PRC FL END S EQ RS 24"
UP - 459.39
DOWN - 459.27
INSTALLATION-METHOD II
TRENCH BACKFILL-15.6 CY
CROSS SECTION SHEET 31

+50 SIDEROAD
PC, CL A, TY 1, 18"
0° SKEW 24' LONG
2 EACH PRC FL END S 18"
UP - 462.85
DOWN - 462.75
INSTALLATION-METHOD II
TRENCH BACKFILL- CY
CROSS SECTION SHEET 32

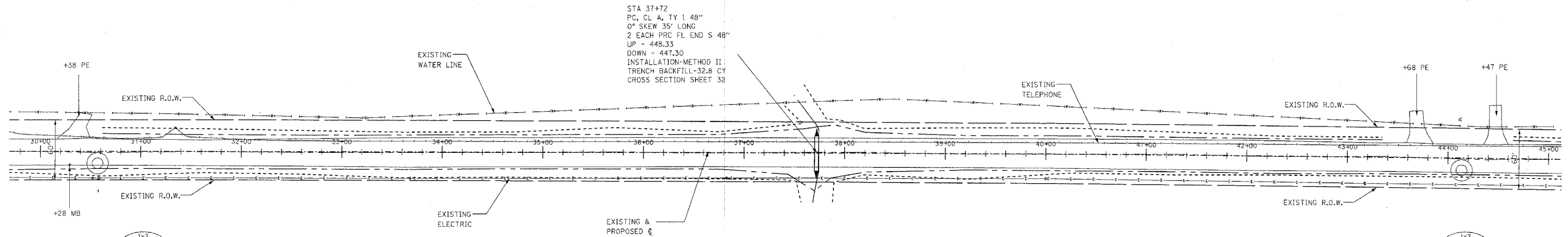


PROFILE

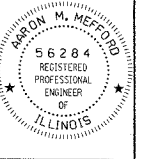
FAS	SECTION	COUNTY	TOTAL SHEETS	SHEET NO.
BB1	05-00094-00-FP	HAMILTON	32	9
FED. ROAD DIST. NO. 9 ILLINOIS		CORNERVILLE ROAD		323 W. 3RD ST. P.O. BOX 160 MT. CARMEL, IL 62863
PROJECT # RS-88101G1		CONTRACT # 49340		PHONE: (618)-262-8661 FAX: (618)-263-3327
LEC JOB # H051022HM				

P.I. STA= 32+00.00
Δ= 00°11'14" LT

P.I. STA= 40+00.00
Δ= 00°06'22" RT



PROFESSIONAL DESIGN FIRM
LAND SURVEY & PROFESSIONAL ENGINEERING CORPORATION
184-000887
(62-032435)(35-002769)



AARON M. MEFFORD
NAME
Aaron Mefford
SIGNATURE
3-17-09
DATE
11-30-09
EXPIRES

F.A.S. 881 (CH 6)
CORNERVILLE ROAD
SECTION 05-00094-00-FP
HAMILTON COUNTY, ILLINOIS

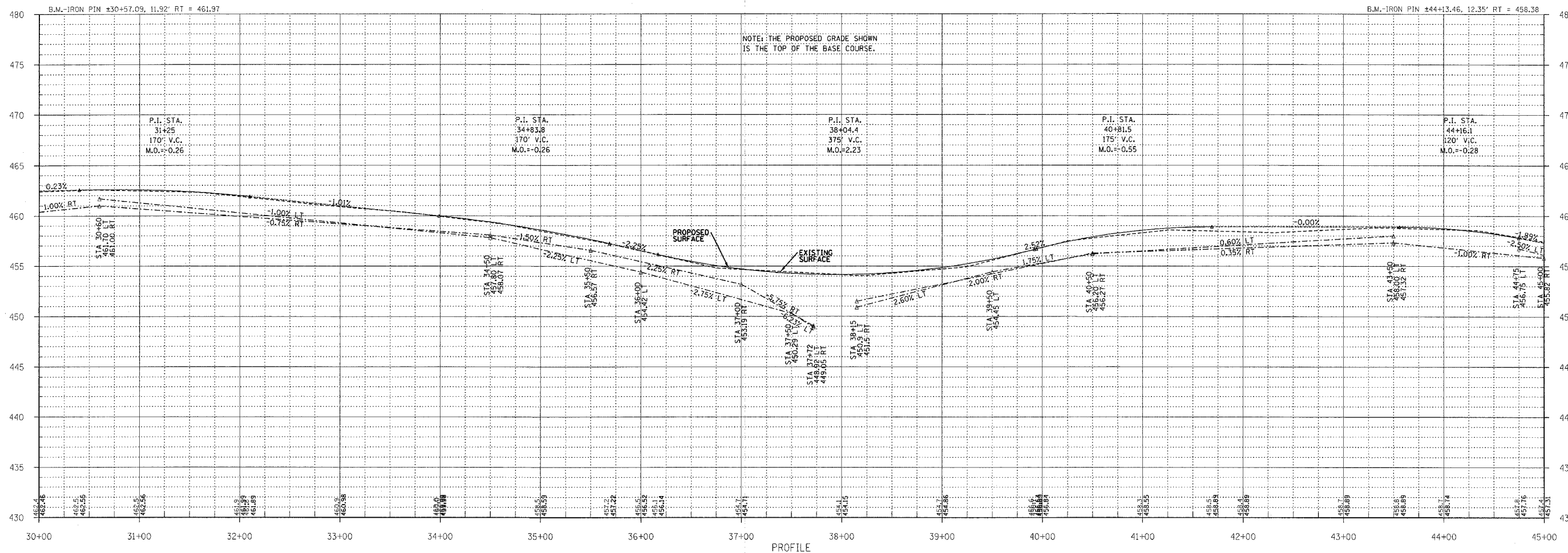
SHEET TITLE:

PLAN & PROFILE

SCALE:	VARS
BY:	AMM
DATE:	2/10/09
REV:	

9 OF 32
SHEETS

SHEET NO.
9



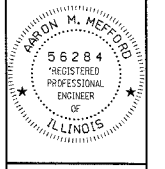
FAS	SECTION	COUNTY	TOTAL SHEETS	SHEET NO.
881	05-00094-00-FP	HAMILTON	32	10
FED. ROAD DIST. NO. 9 ILLINOIS		CORNERVILLE ROAD		
PROJECT # RS-881(116)		CONTRACT # 99340		
LEC JOB # H061022HM				

323 W. 3RD ST.
P.O. BOX 160
MT. CARMEL, IL
62863
PHONE:
(618)-262-8651
FAX:
(618)-263-3327

405 W. STATE ST
SUITE 1
PRINCETON, IN
47670
PHONE:
(812)-386-7611
FAX:
(812)-385-2812



PROFESSIONAL
DESIGN FIRM
LAND SURVEY &
PROFESSIONAL
ENGINEERING
CORPORATION
184-000887
(62-02435)(35-002769)



AARON M. MEFFORD
NAME
[Signature]
SIGNATURE
3-17-09
DATE
11-30-09
EXPIRES

F.A.S. 881 (CH 6)
CORNERVILLE ROAD
SECTION 05-00094-00-FP
HAMILTON COUNTY, ILLINOIS

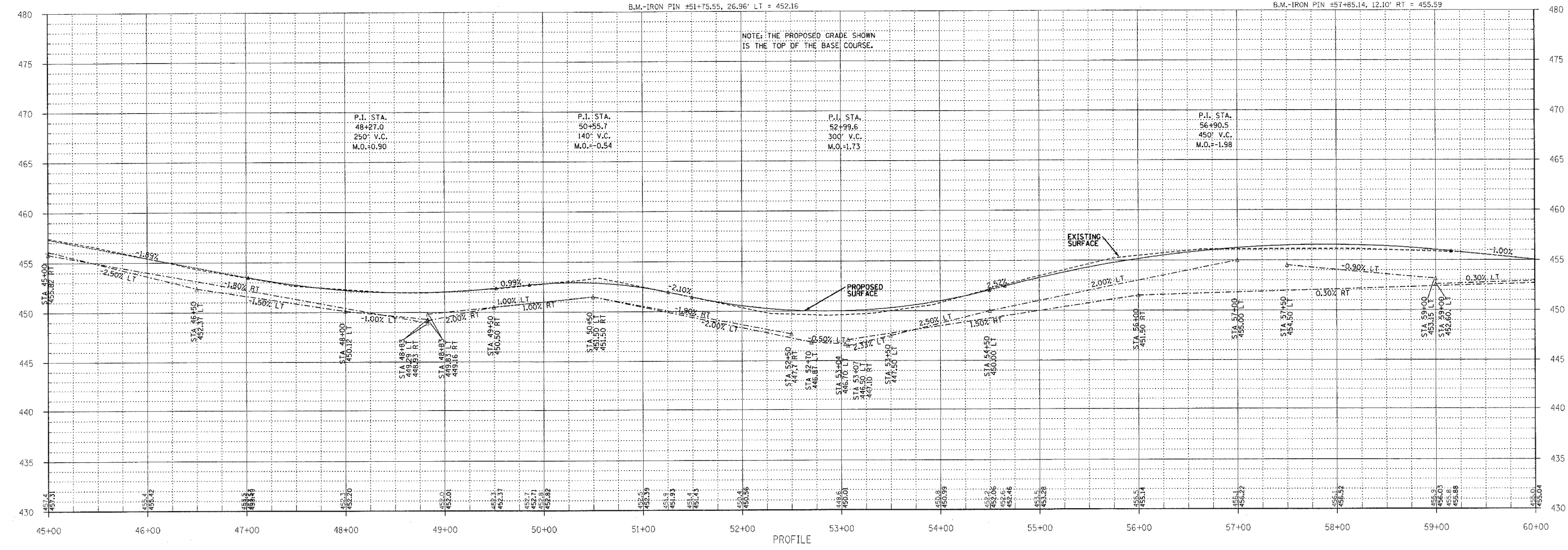
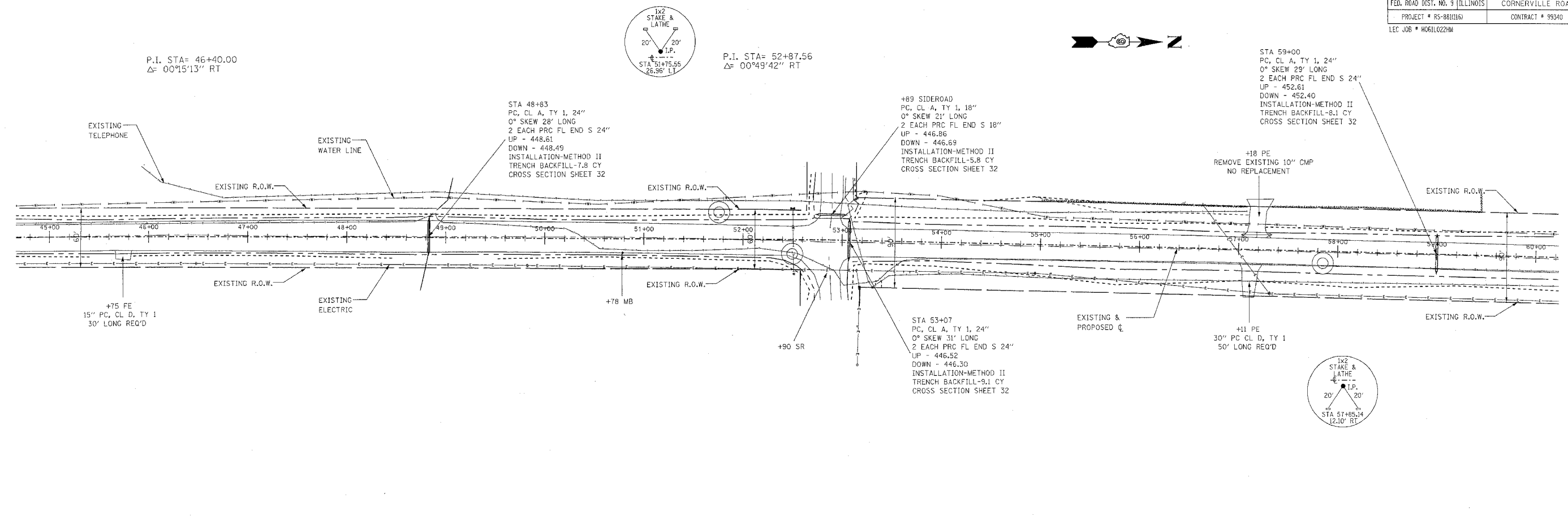
SHEET TITLE:

PLAN & PROFILE

SCALE: VARIES
BY: AMM
DATE: 2/7/09
REV:

10 OF 32
SHEETS

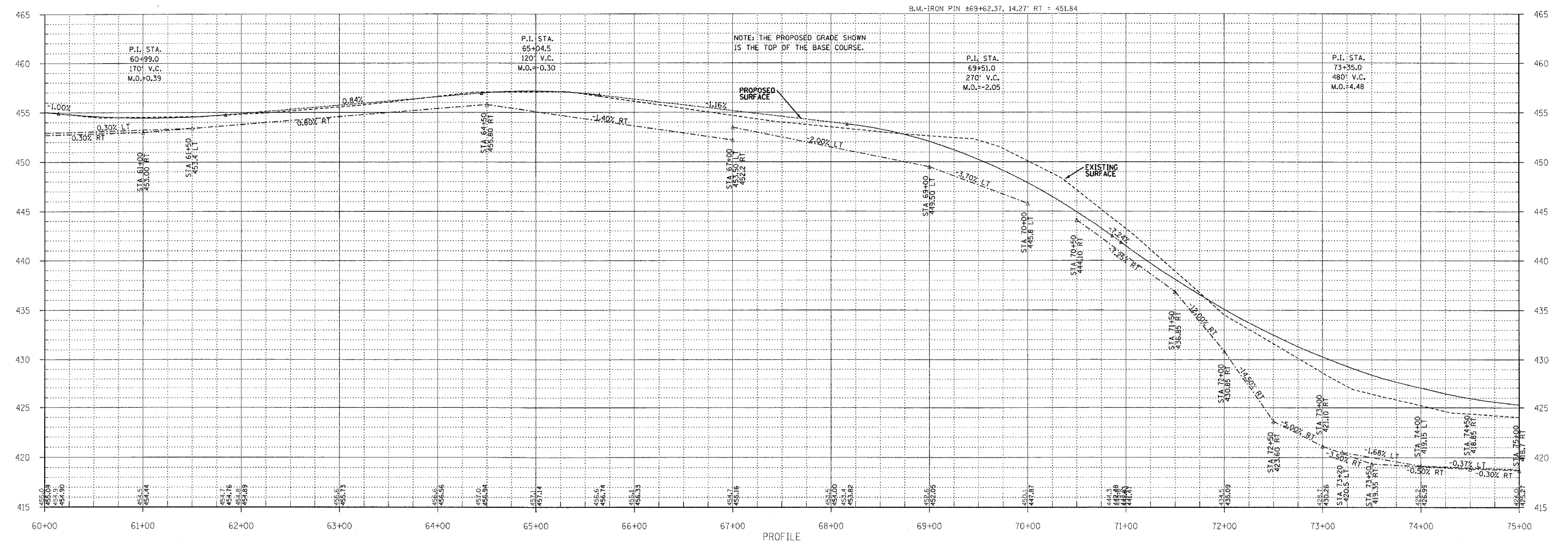
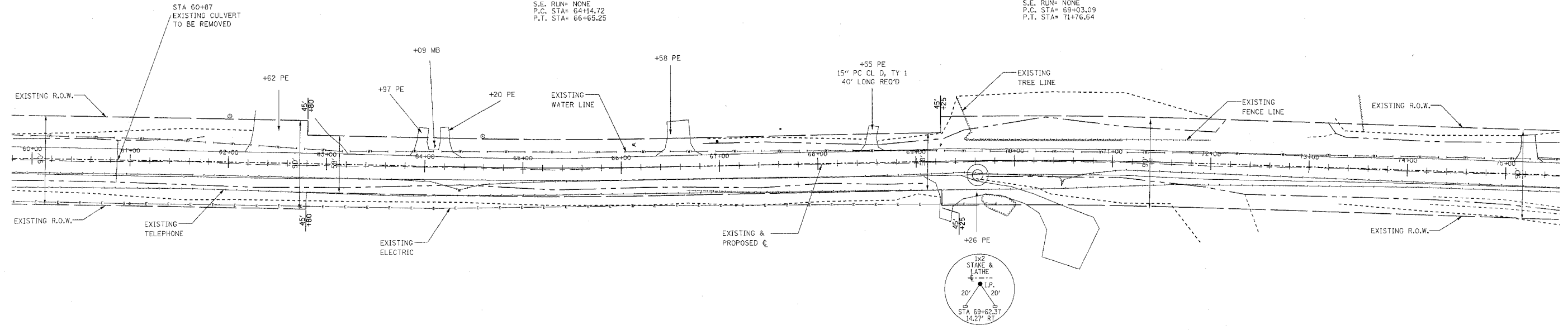
SHEET NO.
10



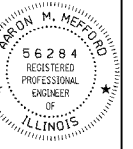
FAS	SECTION	COUNTY	TOTAL SHEETS	SHEET NO.
881	05-00094-00-FP	HAMILTON	32	11
FED. ROAD DIST. NO. 9 ILLINOIS		CORNERVILLE ROAD		323 W. 3RD ST. P.O. BOX 160 MT. CARMEL, IL 62863
PROJECT # RS-881016I		CONTRACT # 99340		PHONE: (618)-262-8651 FAX: (618)-263-3327
LEC JOB # H061022HM				

CURVE #1
P.I. STA= 65+40.01
Δ= LT. 2°33'48"
D= 1°01'23"
R= 5600'
T= 125.28'
L= 250.53'
E= 1.40'
e= NONE
T.R.= NONE
S.E. RUN= NONE
P.C. STA= 64+14.72
P.T. STA= 66+65.25

CURVE #2
P.I. STA= 70+39.90
Δ= RT. 2°47'56"
D= 1°01'23"
R= 5600'
T= 136.80'
L= 273.55'
E= 1.67'
e= NONE
T.R.= NONE
S.E. RUN= NONE
P.C. STA= 69+03.09
P.T. STA= 71+76.64



PROFESSIONAL DESIGN FIRM
LAND SURVEY & PROFESSIONAL ENGINEERING CORPORATION
184-000887
(62-032435)(35-002769)



AARON M. MEFFORD
NAME
SIGNATURE
3-17-09
DATE
11-30-09
EXPIRES

F.A.S. 881 (CH 6)
CORNERVILLE ROAD
SECTION 05-00094-00-FP
HAMILTON COUNTY, ILLINOIS

SHEET TITLE:

PLAN & PROFILE

SCALE:	VARS
BY:	AMM
DATE:	3/17/09
REV:	

11 OF 32 SHEETS

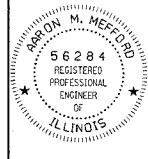
SHEET NO. 11

FAS	SECTION	COUNTY	TOTAL SHEETS	SHEET NO.
881	05-00094-00-FP	HAMILTON	32	12
FED. ROAD DIST. NO. 9 ILLINOIS		CORNERVILLE ROAD		323 W. 3RD ST. P.O. BOX 160 MT. CARMEL, IL 62863
PROJECT # RS-881(116)		CONTRACT # 99340		PHONE: (618)-262-8651 FAX: (618)-263-3327
LEC JOB # H061022HM				

405 W. STATE ST
SUITE 1
PRINCETON, IN
47670
PHONE: (812)-386-7611
FAX: (812)-385-2812



PROFESSIONAL DESIGN FIRM
LAND SURVEY &
PROFESSIONAL ENGINEERING CORPORATION
184-00887
(62-032435)(35-002789)



AARON M. MEFFORD
NAME
Aaron Mefford
SIGNATURE
3-17-09
DATE
11-30-09
EXPIRES

F.A.S. 881 (CH 6)
CORNERVILLE ROAD
SECTION 05-00094-00-FP
HAMILTON COUNTY, ILLINOIS

SHEET TITLE:

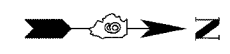
PLAN & PROFILE

SCALE: VARIES
BY: AMM
DATE: 2/2009
REV:

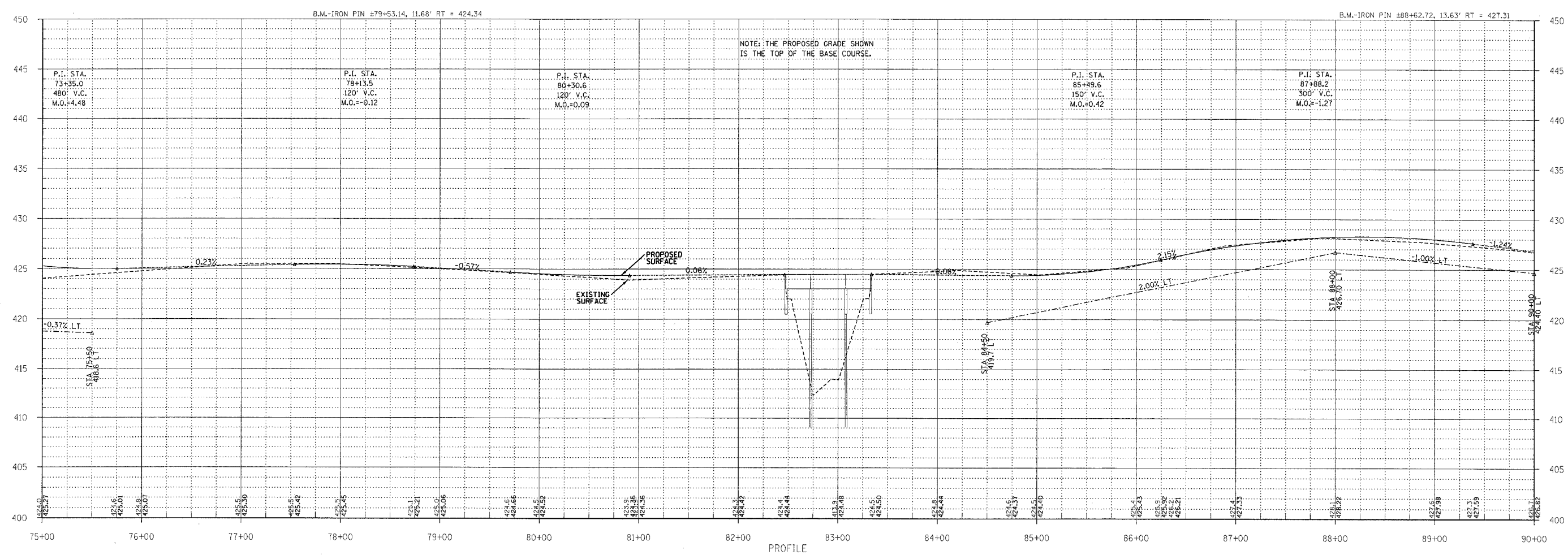
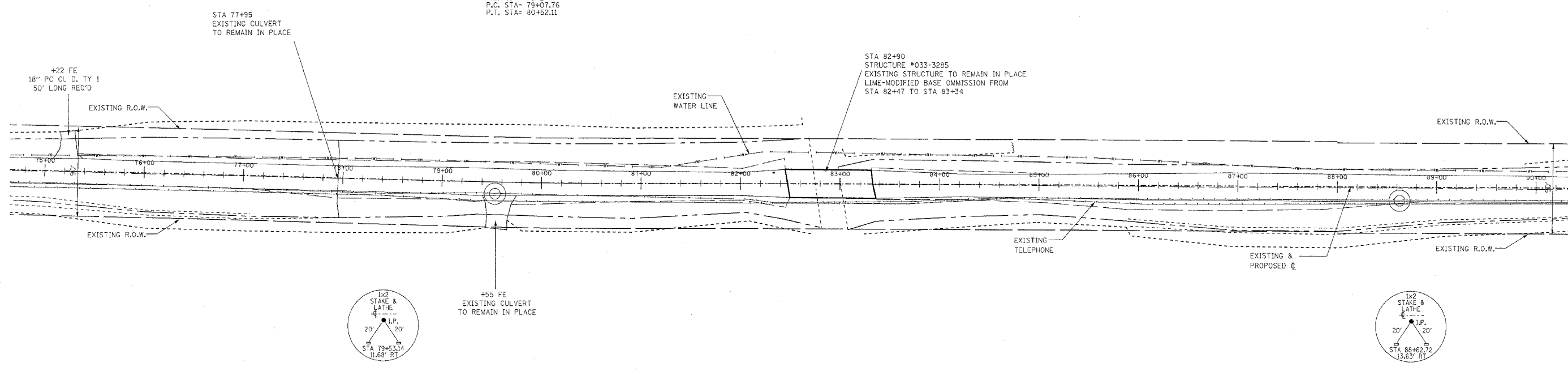
12 OF 32
SHEETS

SHEET NO.
12

CURVE #3
P.I. STA= 79+79.94
Δ= LT. 1°28'37"
D= 1°01'23"
R= 5600'
T= 72.18'
L= 144.35'
E= 0.47'
e= NONE
T.R.= NONE
S.E. RUN= NONE
P.C. STA= 79+07.76
P.T. STA= 80+52.11



P.I. STA= 88+00.00
Δ= 00°10'25" LT



PROFILE

FAS	SECTION	COUNTY	TOTAL SHEETS	SHEET NO.
881	05-00094-00-FP	HAMILTON	32	13
FED. ROAD DIST. NO. 9 ILLINOIS		CORNERVILLE ROAD		
PROJECT * RS-881(16)		CONTRACT * 99340		
LEC JOB * H061022IM				

323 W. 3RD ST.
P.O. BOX 160
MT. CARMEL, IL
62863

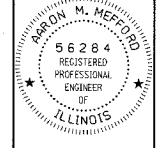
PHONE:
(618)-262-8661
FAX:
(618)-263-3327

405 W. STATE ST
SUITE 1
PRINCETON, IN
47670

PHONE:
(812)-386-7611
FAX:
(812)-385-2812



PROFESSIONAL DESIGN FIRM
LAND SURVEY &
PROFESSIONAL
ENGINEERING CORPORATION
184-000887
(62-032435)(35-002769)



AARON M. MEFFORD
NAME
Aaron Mefford
SIGNATURE
3-7-09
DATE
11-30-09
EXPIRES

F.A.S. 881 (CH 6)
CORNERVILLE ROAD
SECTION 05-00094-00-FP
HAMILTON COUNTY, ILLINOIS

SHEET TITLE:

PLAN & PROFILE

SCALE: VARIES
BY: AMM
DATE: 2/09
REV:

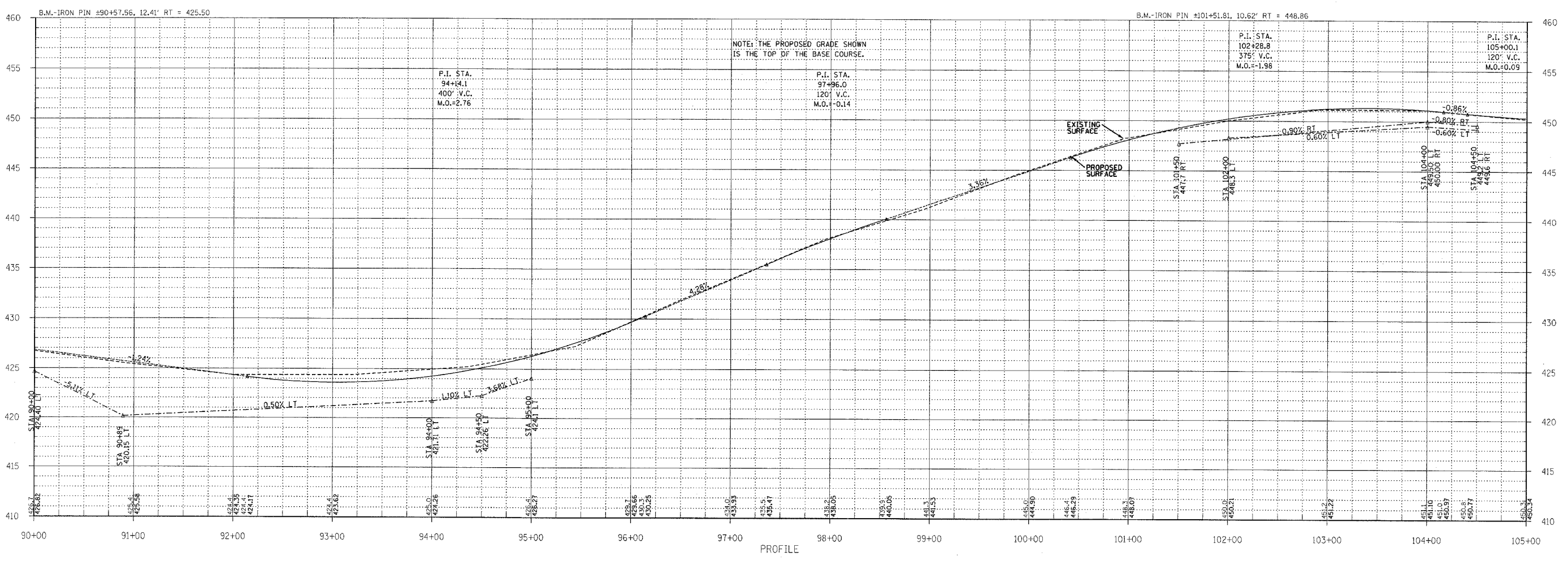
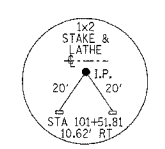
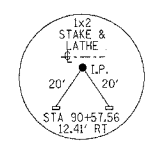
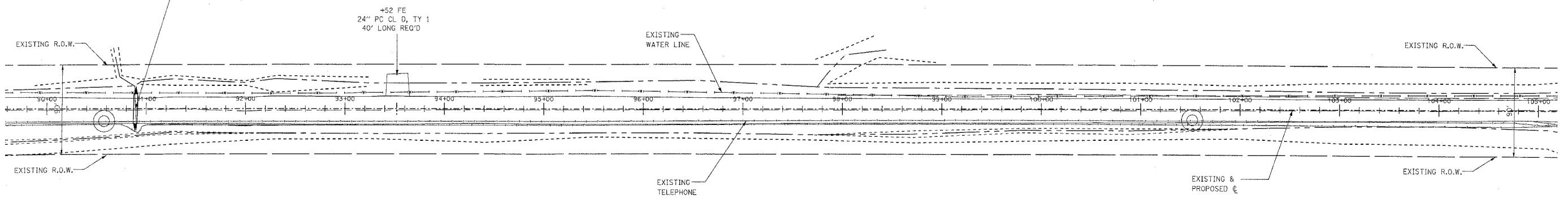
13 OF 32
SHEETS

SHEET NO.
13

P.I. STA= 96+00.00
 $\Delta = 00^{\circ}07'35''$ LT

STA 90+89
PC, CL A, TY 1, 48"
0° SKEW 30' LONG
2' EACH PRC FL END S 48"
UP - 420.15
DOWN - 420.00
INSTALLATION-METHOD II
TRENCH BACKFILL-22.0 CY
CROSS SECTION SHEET 32

+52 FE
24" PC CL D, TY 1
40' LONG REQ'D



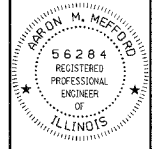
13

FAS	SECTION	COUNTY	TOTAL SHEETS	SHEET NO.
881	05-00094-00-FP	HAMILTON	32	14
FED. ROAD DIST. NO. 9 ILLINOIS		CORNERVILLE ROAD		323 W. 3RD ST. P.O. BOX 160 MT. CARMEL, IL 62863
PROJECT * RS-881(116)		CONTRACT * 99340		PHONE: (618)-262-8651 FAX: (618)-263-3327
LEC JOB * H061L022IM				

405 W. STATE ST.
SUITE 1
PRINCETON, IN
47670
PHONE:
(812)-386-7611
FAX:
(812)-385-2812



PROFESSIONAL
DESIGN FIRM
LAND SURVEY &
PROFESSIONAL
ENGINEERING
CORPORATION
184-000887
(62-032435)(35-002769)



AARON M. MEFFORD
NAME
[Signature]
SIGNATURE
3-17-09
DATE
11-30-09
EXPIRES

F.A.S. 881 (CH 6)
CORNERVILLE ROAD
SECTION 05-00094-00-FP
HAMILTON COUNTY, ILLINOIS

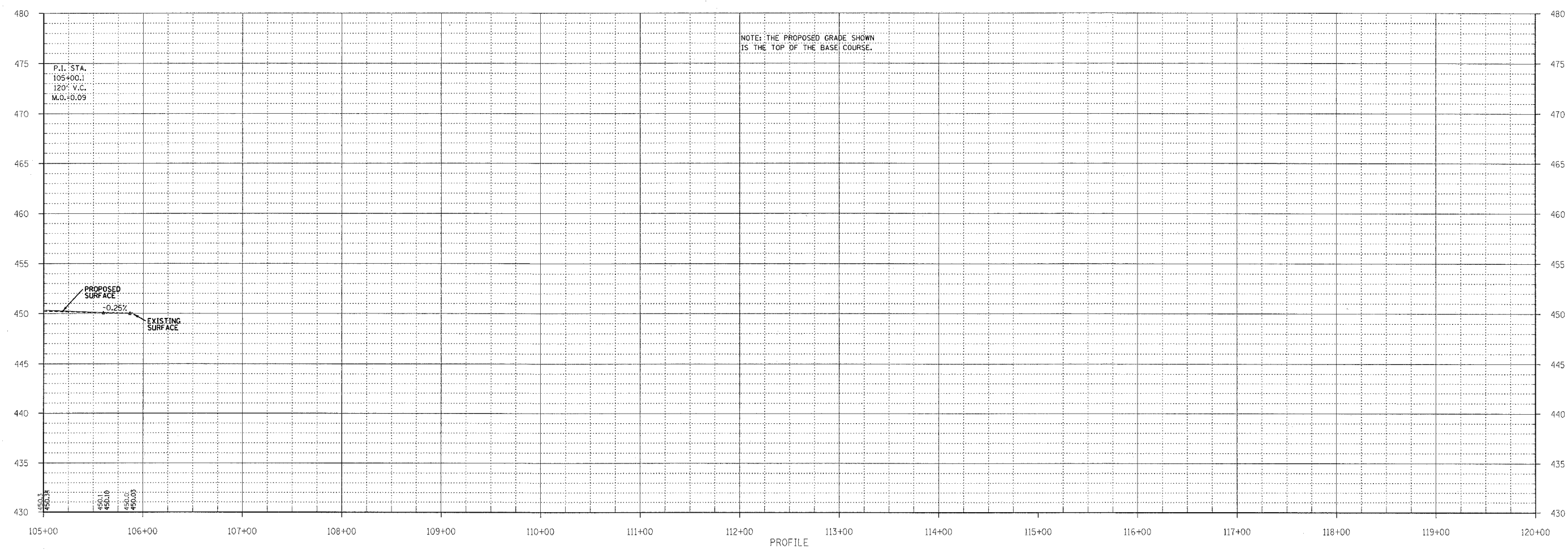
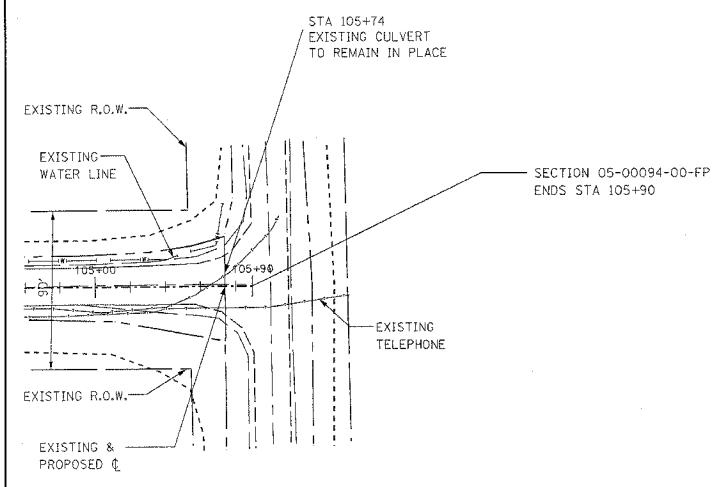
SHEET TITLE:

PLAN & PROFILE

SCALE: VARIES
BY: AMM
DATE: 2/09
REV:

14 OF 32
SHEETS

SHEET NO.
14



PROFILE

F.A.S.	SECTION	COUNTY	TOTAL SHEETS	SHEET NO.	323 W. 3RD ST. P.O. BOX 160 MT. CARMEL, IL 62863 PHONE: (618)-262-8651 FAX: (618)-263-3327
881	05-00094-00-FP	HAMILTON	32	15	
FED. ROAD DIST. NO. 9 ILLINOIS		CORNERVILLE ROAD			
PROJECT* RS-881(116)		CONTRACT* 99340			

405 W. STATE ST
SUITE 1
PRINCETON, IN
47670
PHONE:
(812)-386-7611
FAX:
(812)-385-2812



PROFESSIONAL
DESIGN FIRM
LAND SURVEY &
PROFESSIONAL
ENGINEERING
CORPORATION
184-00087
(62-032435)(35-002769)



AARON M. MEFFORD
NAME
Aaron Mefford
SIGNATURE
3-17-09
DATE
11-30-09
EXPIRES

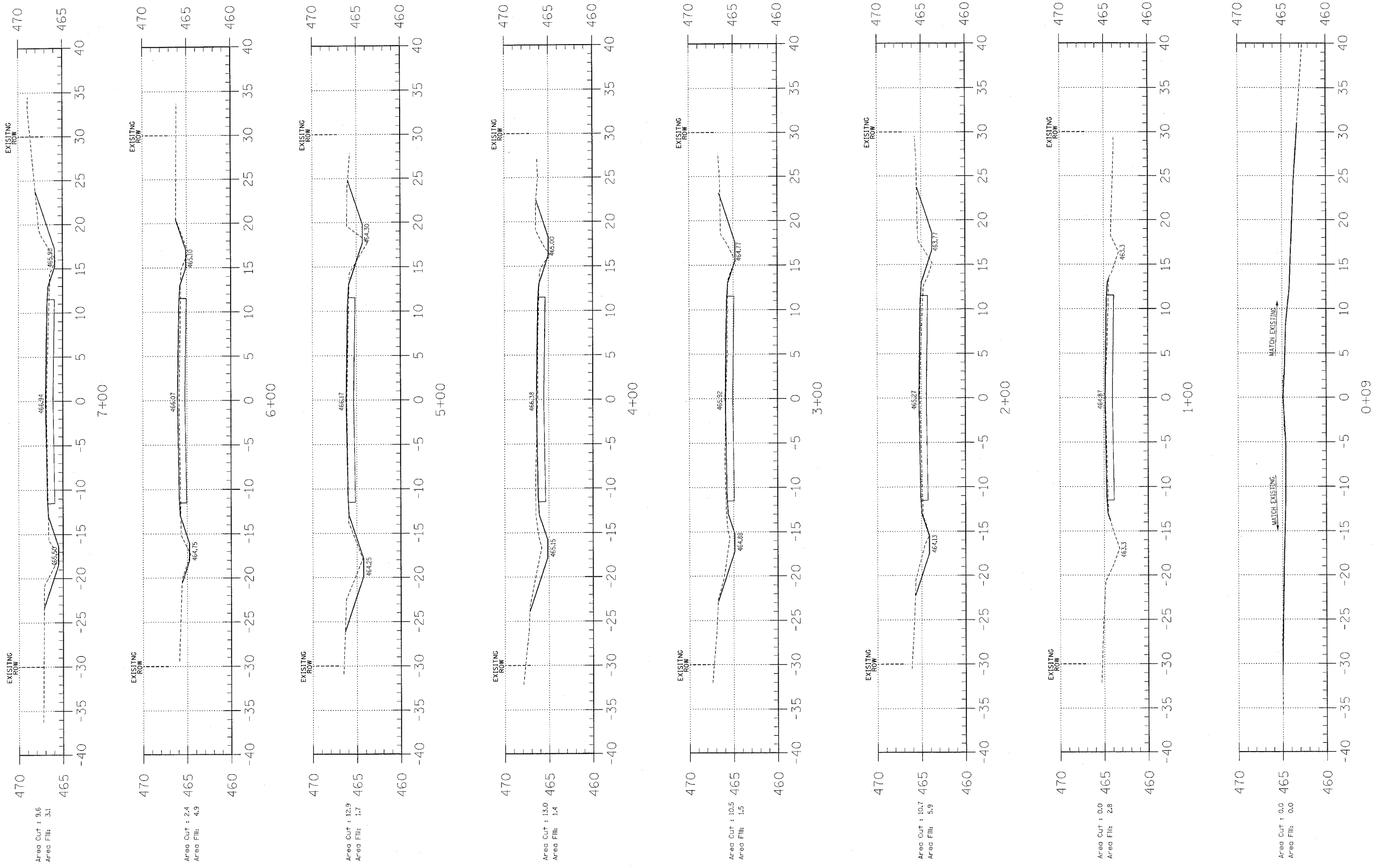
F.A.S. 881 (CH 6)
CORNERVILLE ROAD
SECTION 05-00094-00-FP
HAMILTON COUNTY, ILLINOIS

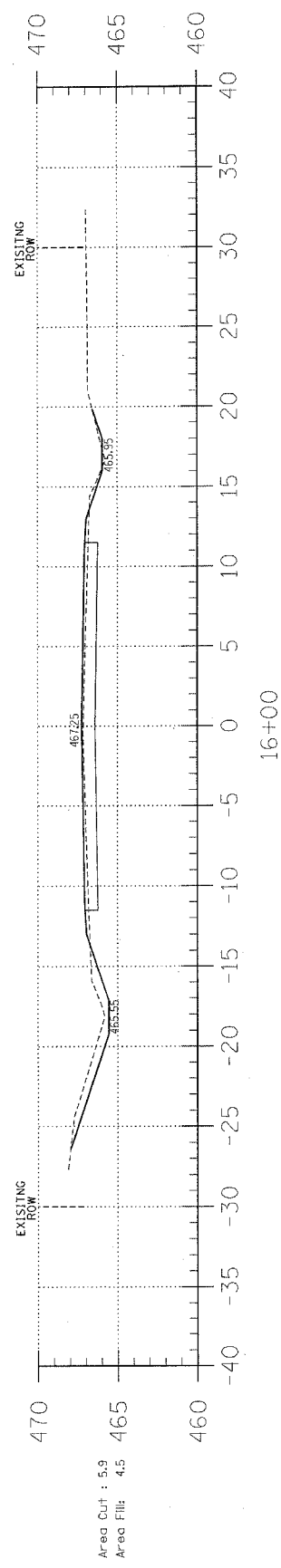
SHEET TITLE:
CROSS-SECTIONS

SCALE: 1" = 5'
BY: AMM
DATE: 2/09
REV:

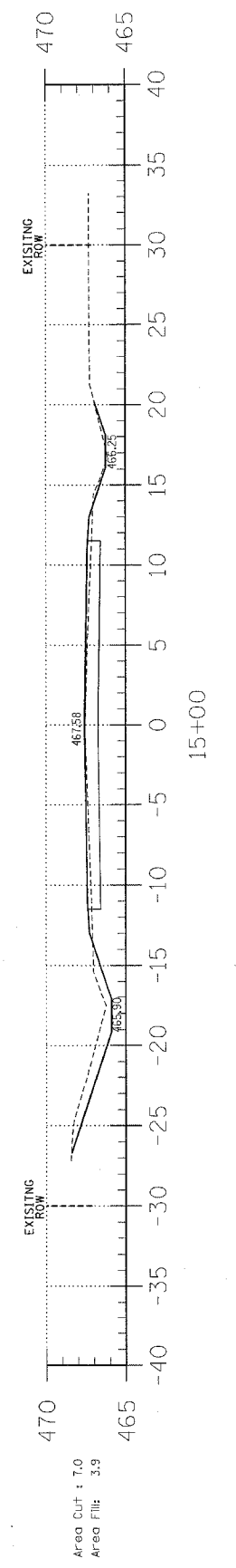
15 OF 32
SHEETS

SHEET NO.
15

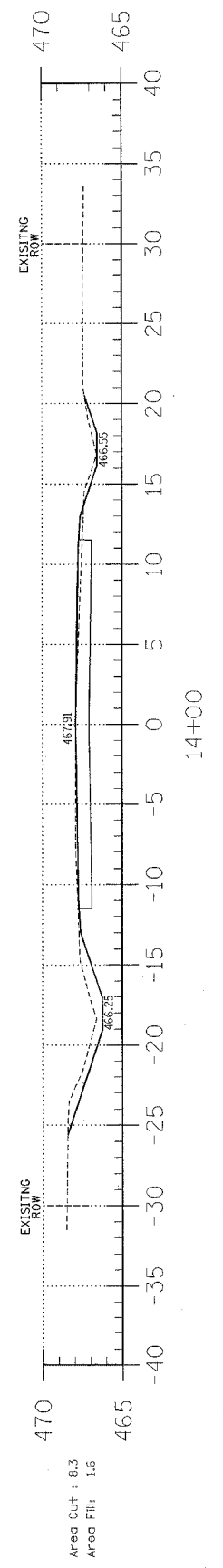




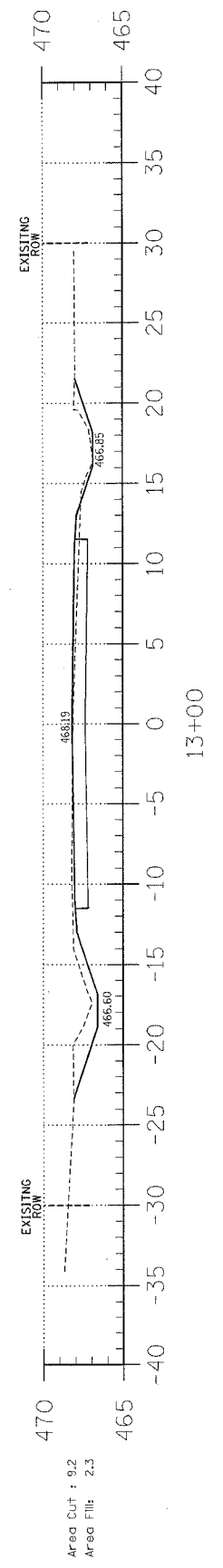
16+00



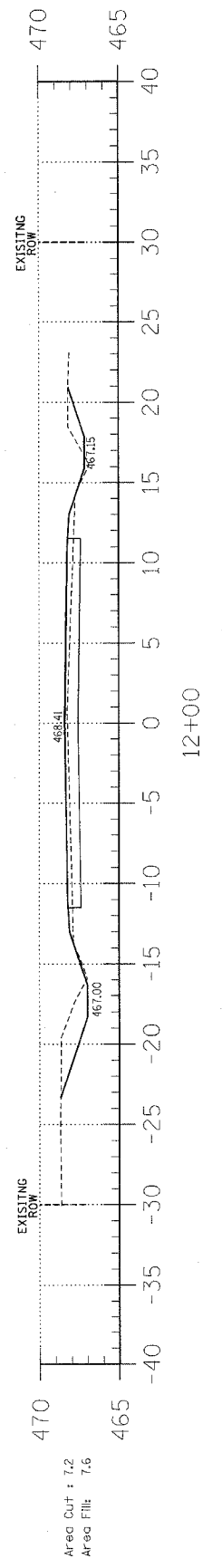
15+00



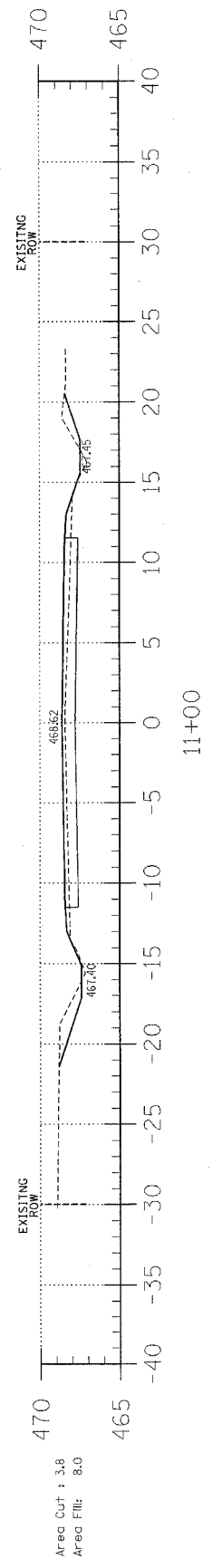
14+00



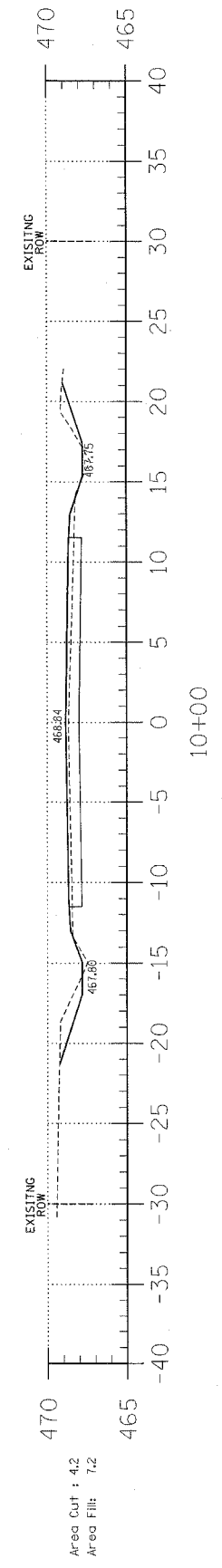
13+00



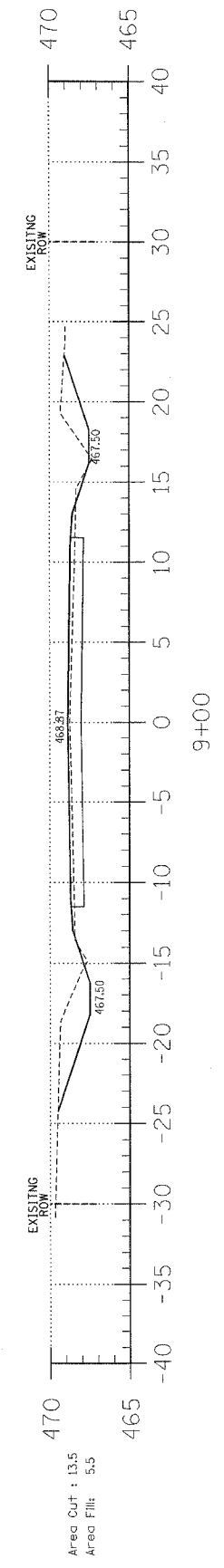
12+00



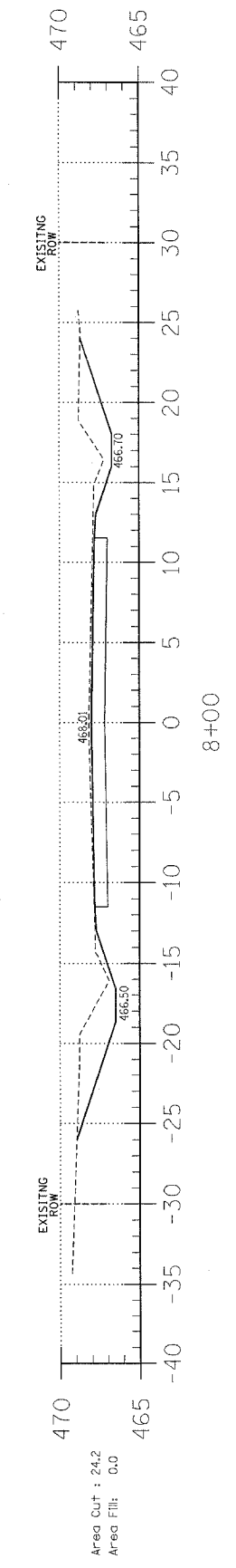
11+00



10+00



9+00



8+00

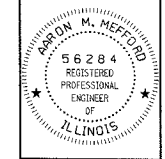
F.A.S.	SECTION	COUNTY	TOTAL SHEETS	SHEET NO.
881	05-00094-00-FP	HAMILTON	32	16
FED. ROAD DIST. NO. 8 ILLINOIS		CORNERVILLE ROAD		
PROJECT * RS-881(1116)		CONTRACT * 99340		
LEC JOB # H061.022M				

323 W. 3RD ST.
P.O. BOX 160
MT. CARMEL, IL
62863
PHONE:
(618)-262-8651
FAX:
(618)-263-3327

405 W. STATE ST
SUITE 1
FRINGETON, IN
47670
PHONE:
(812)-386-7611
FAX:
(812)-385-2812



PROFESSIONAL DESIGN FIRM
LAND SURVEY & PROFESSIONAL ENGINEERING CORPORATION
184-000887
(62-032435)(35-002769)



AARON M. MEFFORD
NAME
Aaron Mefford
SIGNATURE
3-17-04
DATE
11-30-09
EXPIRES

F.A.S. 881 (CH 6)
CORNERVILLE ROAD
SECTION 05-00094-00-FP
HAMILTON COUNTY, ILLINOIS

SHEET TITLE:

CROSS-SECTIONS

SCALE:	1" = 5'
BY:	AMM
DATE:	2/10/09
REV:	

16 OF 32 SHEETS

SHEET NO.
16

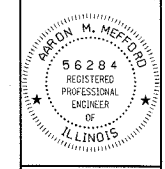
F.A.S.	SECTION	COUNTY	TOTAL SHEETS	SHEET NO.
881	05-00094-00-FP	HAMILTON	32	17
FED. ROAD DIST. NO. 9	ILLINOIS	CORNERVILLE ROAD		
PROJECT # RS-881(116)	CONTRACT # 99340			
LEC JOB # H061022M				

323 W. 3RD ST.
P.O. BOX 160
MT. CARMEL, IL
62863
PHONE:
(618)-262-8651
FAX:
(618)-263-3327

405 W. STATE ST
SUITE
PRINCETON, IN
47670
PHONE:
(812)-386-7811
FAX:
(812)-385-2812



PROFESSIONAL
DESIGN FIRM
LAND SURVEY &
PROFESSIONAL
ENGINEERING
CORPORATION
184-00087
(62-032435)(35-002769)



AARON M. MEFFORD
NAME
Aaron Mefford
SIGNATURE
3-17-09
DATE
11-30-09
EXPIRES

F.A.S. 881 (CH 6)
CORNERVILLE ROAD
SECTION 05-00094-00-FP
HAMILTON COUNTY, ILLINOIS

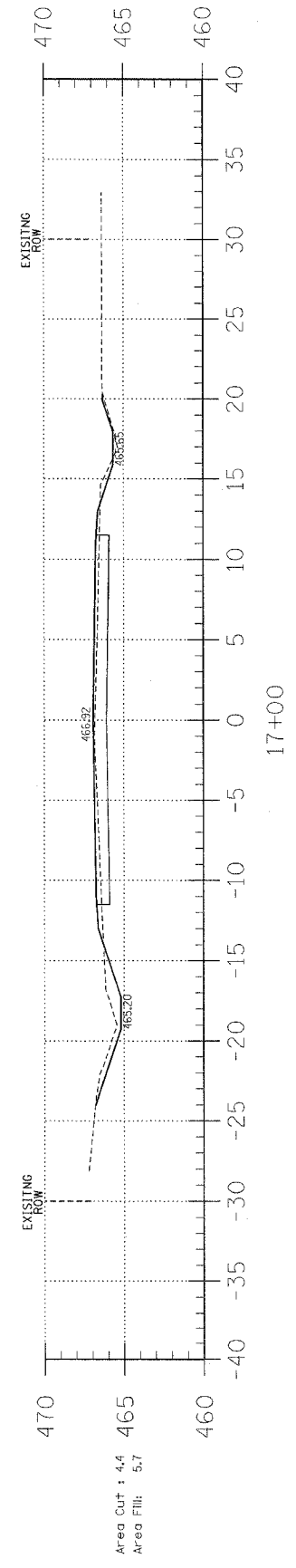
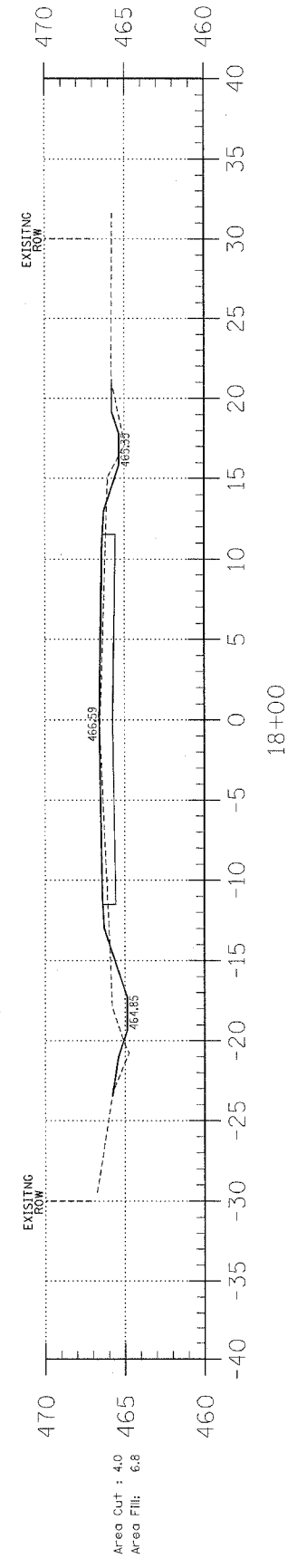
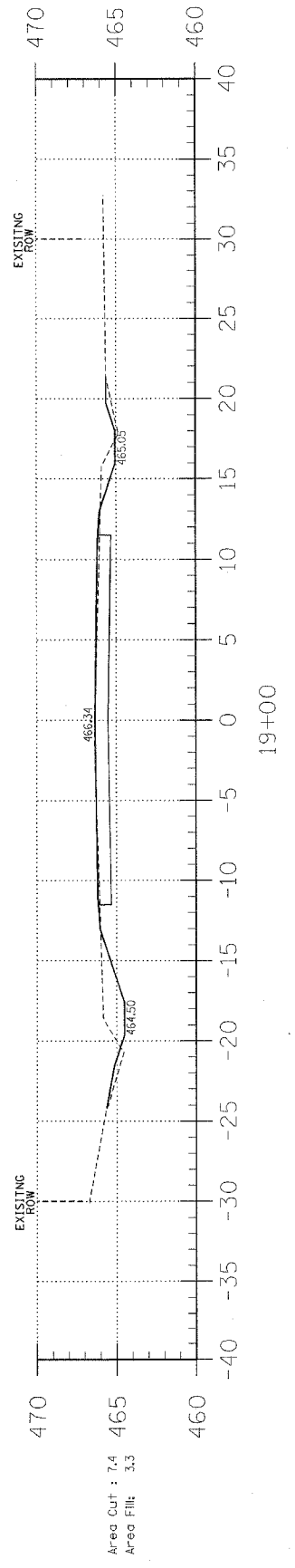
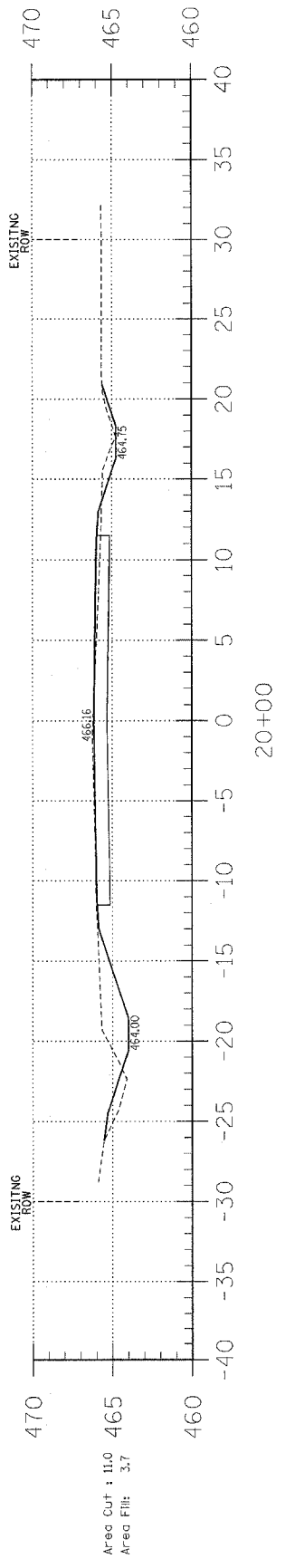
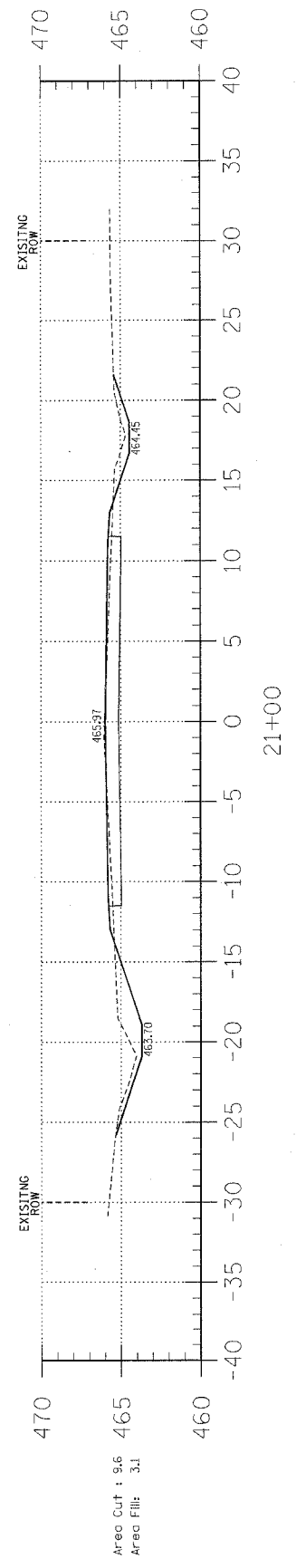
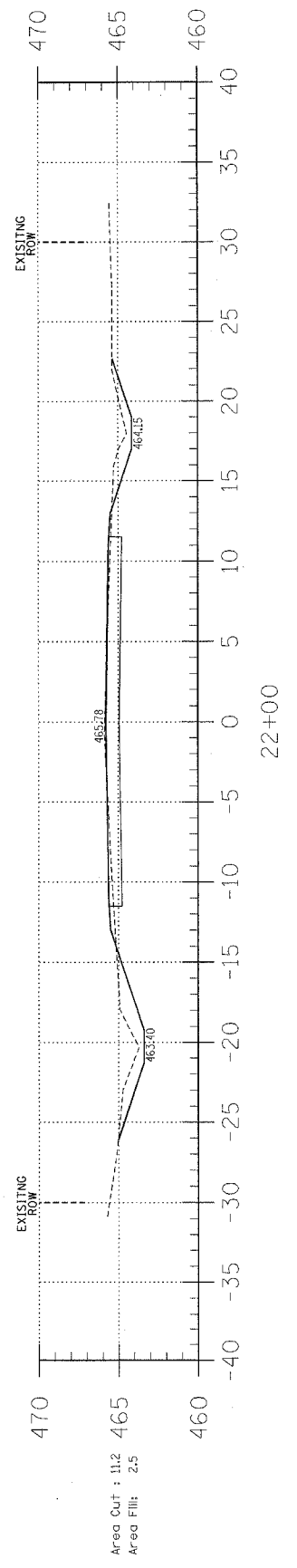
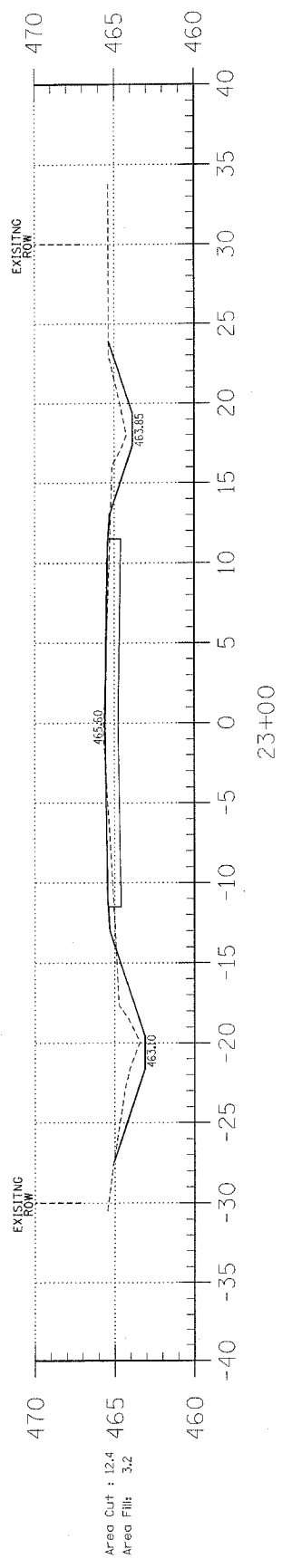
SHEET TITLE:

CROSS-SECTIONS

SCALE:	1" = 5'
BY:	AMM
DATE:	2/10/09
REV:	

17 OF 32
SHEETS

SHEET NO.
17



F.A.S.	SECTION	COUNTY	TOTAL SHEETS	SHEET NO.
881	05-00094-00-FP	HAMILTON	32	18
PROJECT* RS-881(116)		CONTRACT# 99340		PHONE: (618)-262-8661 FAX: (618)-263-3327
LEC JOB # H061022M				

405 W. STATE ST.
SUITE 1
PRINCETON, IN 47870
PHONE:
(812)-386-7611
FAX:
(812)-385-2812



PROFESSIONAL DESIGN FIRM
LAND SURVEY & PROFESSIONAL ENGINEERING CORPORATION
184-000887
(62-032435)(35-002769)



AARON M. MEFFORD
NAME
Aaron Mefford
SIGNATURE
3-17-09
DATE
11-30-09
EXPIRES

F.A.S. 881 (CH 6)
CORNERVILLE ROAD
SECTION 05-00094-00-FP
HAMILTON COUNTY, ILLINOIS

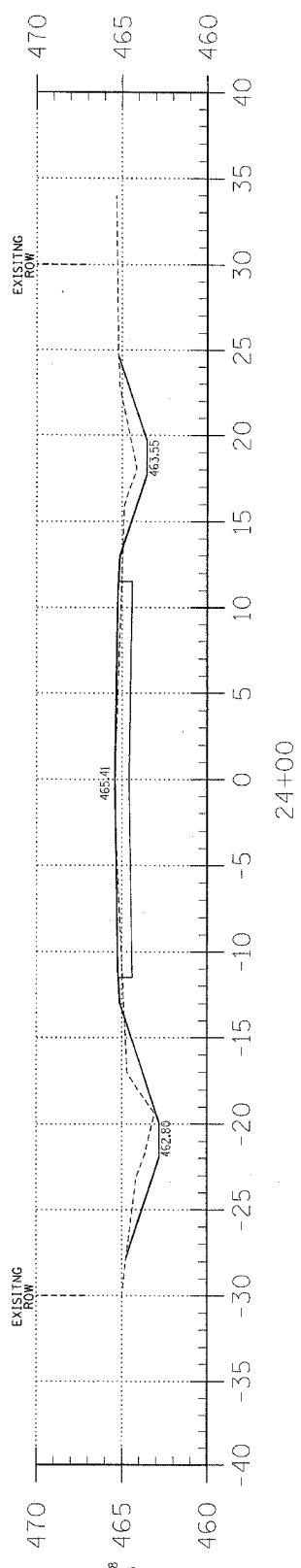
SHEET TITLE:

CROSS-SECTIONS

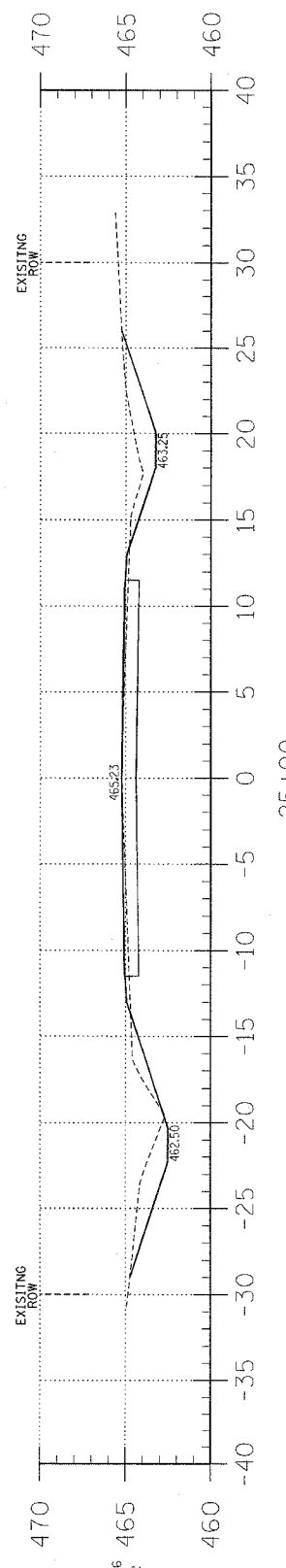
SCALE: 1" = 5'
BY: AMM
DATE: 2/19/09
REV:

18 OF 32 SHEETS

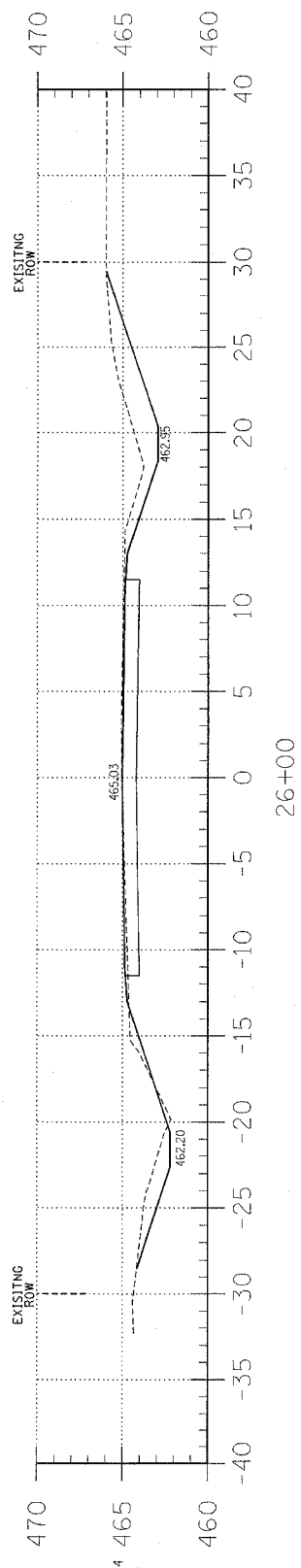
SHEET NO.
18



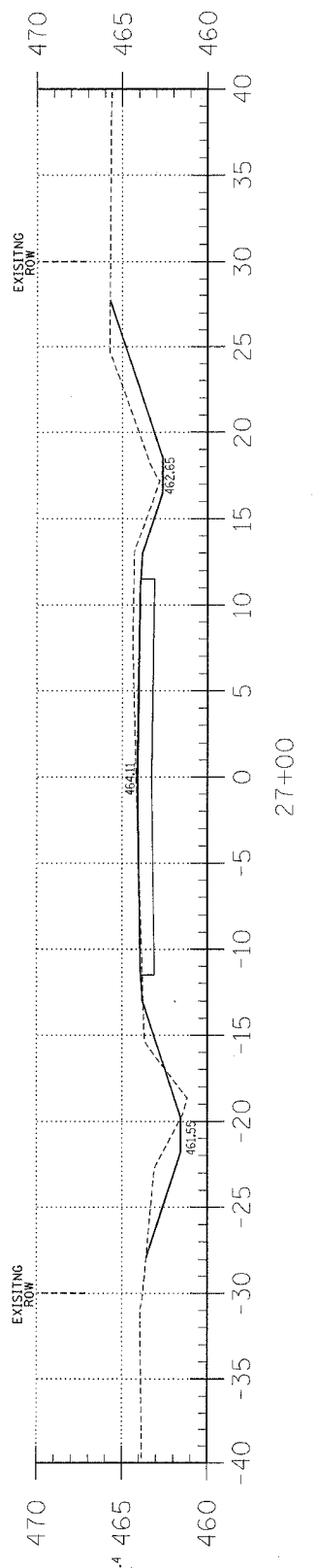
24+00



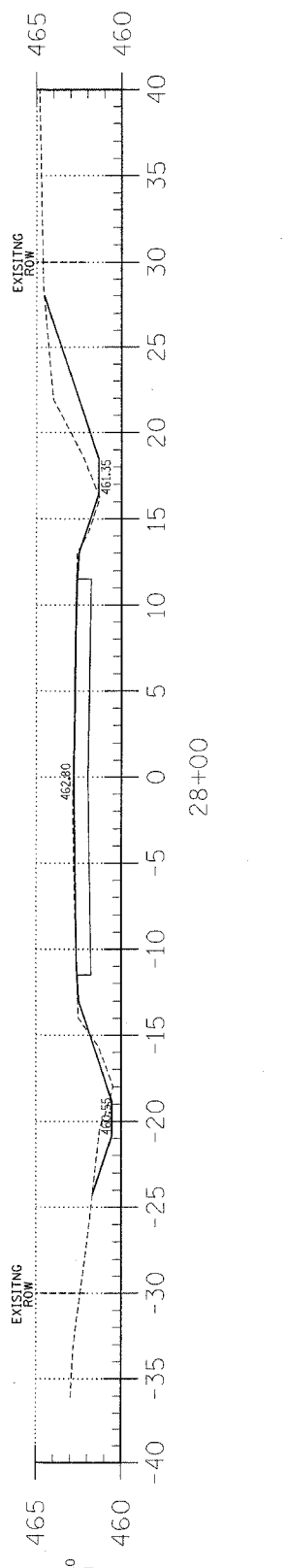
25+00



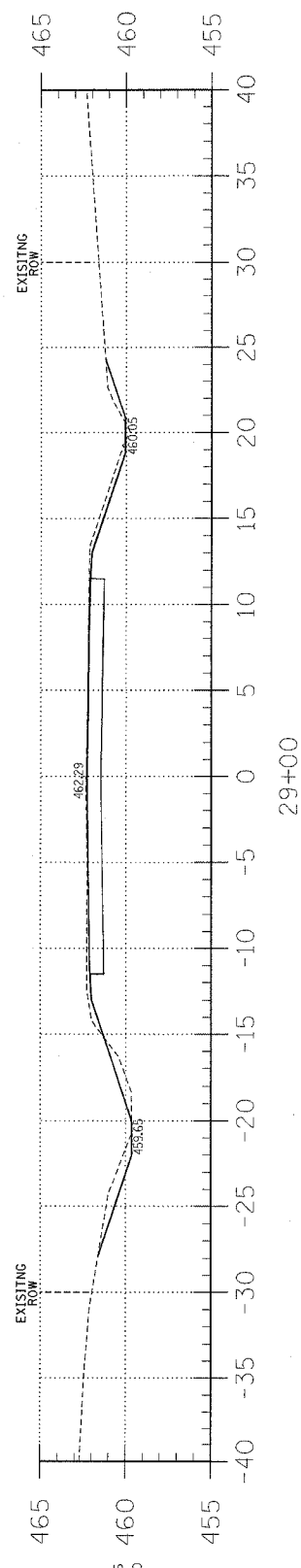
26+00



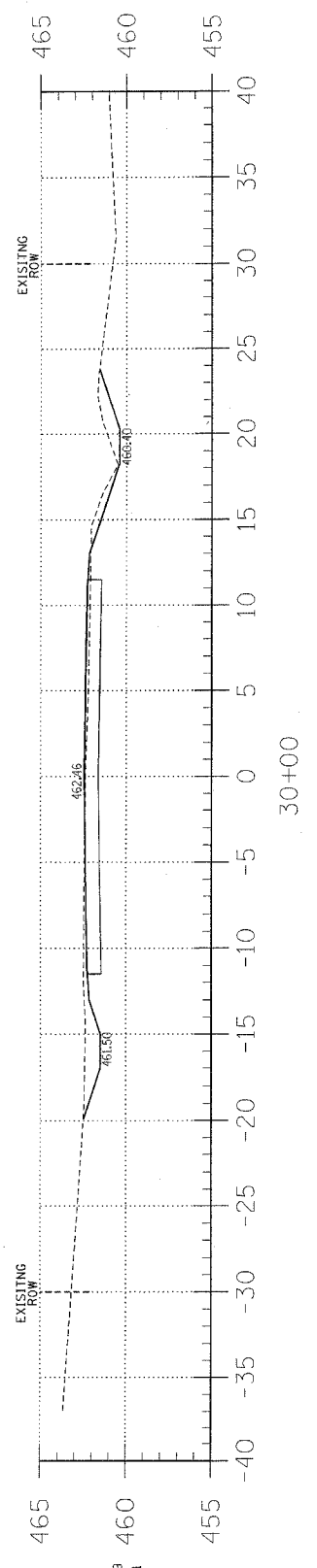
27+00



28+00



29+00



30+00

Area Cut : 9.9
Area Fill : 2.1

Area Cut : 7.6
Area Fill : 2.0

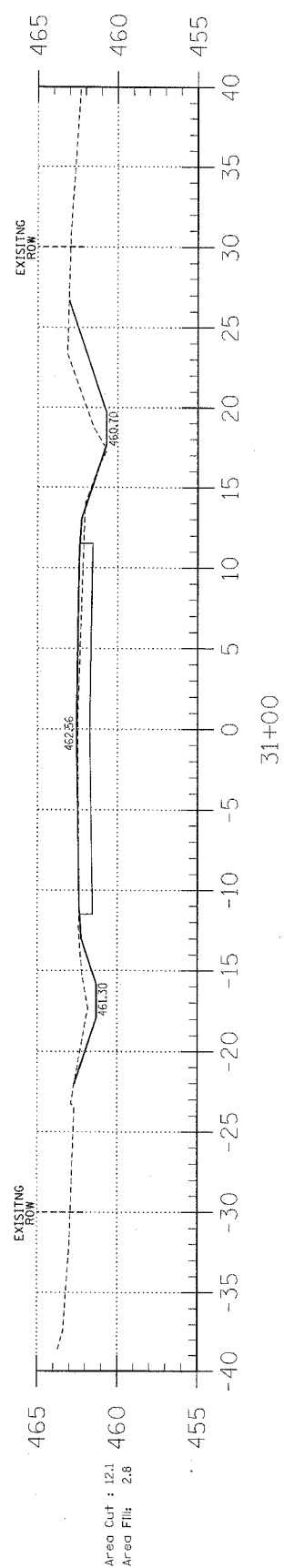
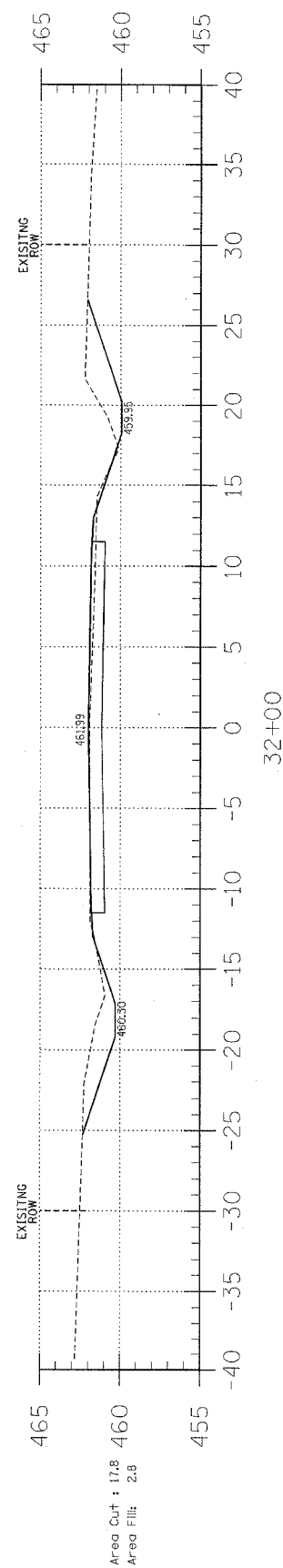
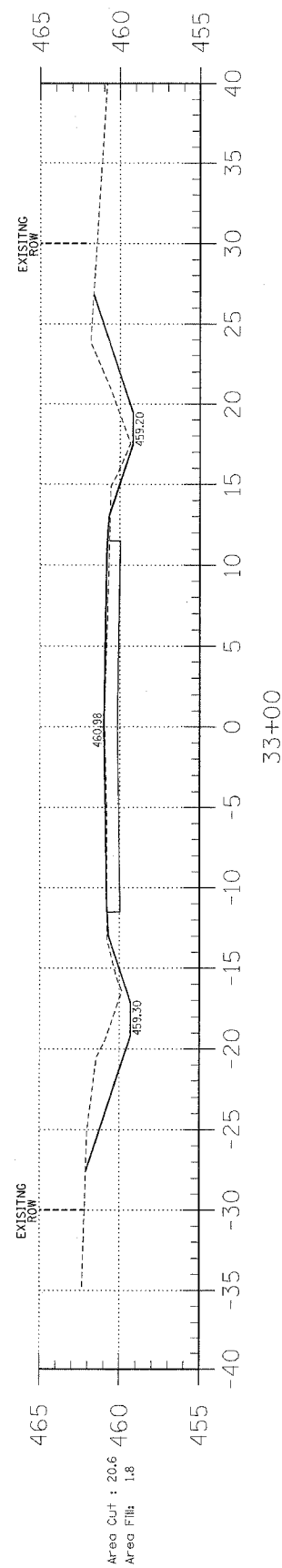
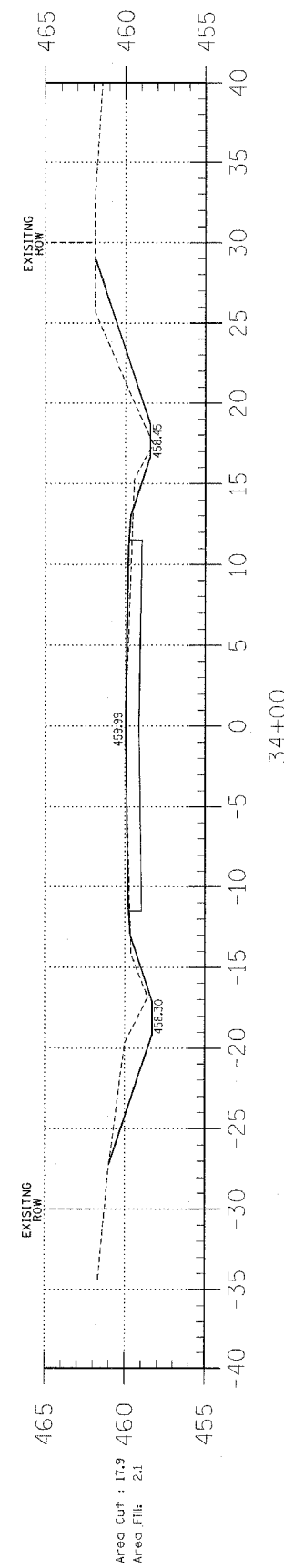
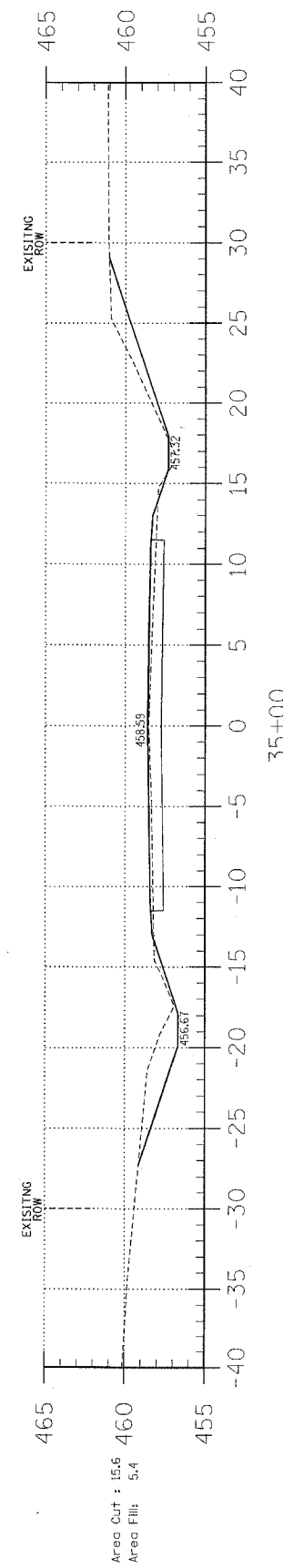
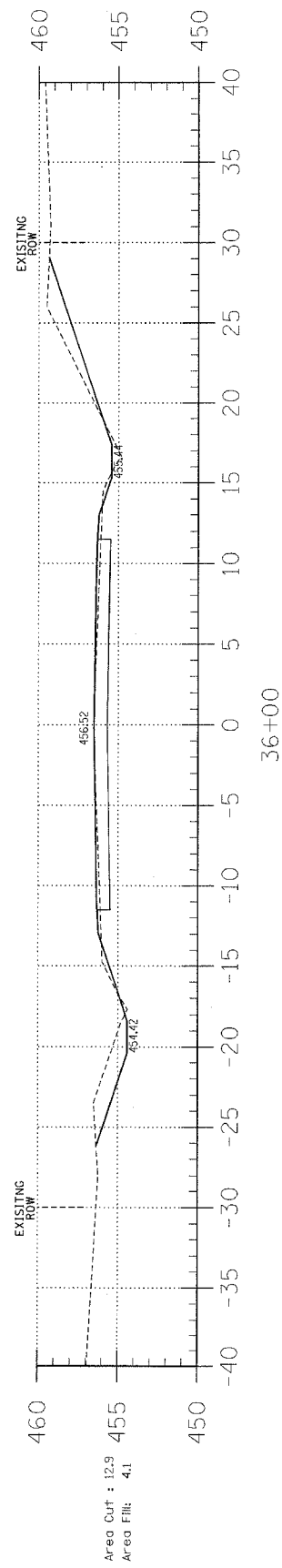
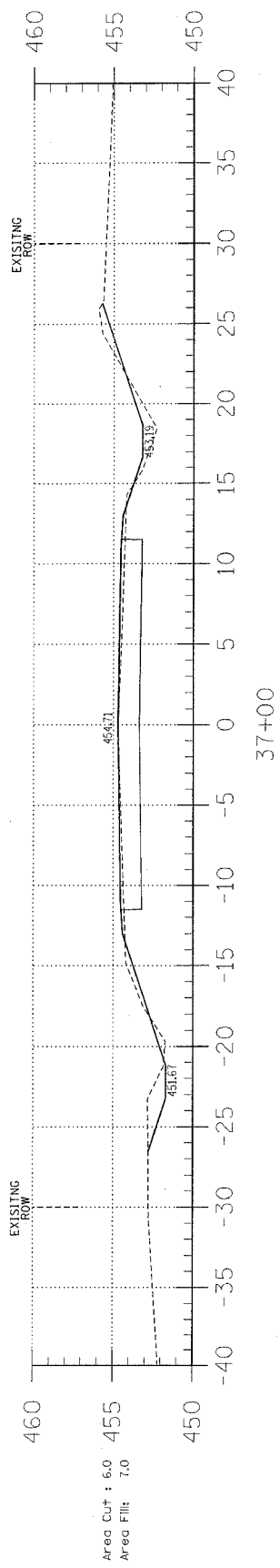
Area Cut : 13.0
Area Fill : 1.4

Area Cut : 20.4
Area Fill : 1.7

Area Cut : 21.4
Area Fill : 1.5

Area Cut : 17.6
Area Fill : 3.2

Area Cut : 13.8
Area Fill : 3.3



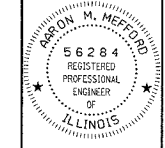
F.A.S.	SECTION	COUNTY	TOTAL SHEETS	SHEET NO.
881	05-00094-00-FP	HAMILTON	32	19
FED. ROAD DIST. NO. 9 ILLINOIS		CORNERVILLE ROAD		
PROJECT# RS-881(116)		CONTRACT# 99340		
LEC JOB # H0610229W				

323 W. 3RD ST.
P.O. BOX 180
MT. CARMEL, IL
62863
PHONE:
(618)-262-8651
FAX:
(618)-263-3327

405 W. STATE ST
SUITE 1
PRINCETON, IN
47670
PHONE:
(812)-386-7611
FAX:
(812)-385-2812



PROFESSIONAL DESIGN FIRM
LAND SURVEY &
PROFESSIONAL ENGINEERING CORPORATION
184-000887
(62-032435)(35-02769)



AARON M. MEFFORD
NAME
Aaron Mefford
SIGNATURE
3-17-09
DATE
11-30-09
EXPIRES

F.A.S. 881 (CH 6)
CORNERVILLE ROAD
SECTION 05-00094-00-FP
HAMILTON COUNTY, ILLINOIS

SHEET TITLE:

CROSS-SECTIONS

SCALE:	1" = 8'
BY:	AMM
DATE:	2/7/09
REV:	

19 OF 32 SHEETS

SHEET NO.
19

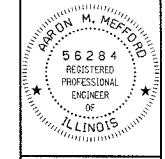
F.A.S.	SECTION	COUNTY	TOTAL SHEETS	SHEET NO.
881	05-00094-00-FP	HAMILTON	32	20
FED. ROAD DIST. NO. 9 ILLINOIS		CORNERVILLE ROAD		
PROJECT# RS-881(116)		CONTRACT# 99340		
LEC JOB # H06L022M				

323 W. 3RD ST.
P.O. BOX 160
MT. CARMEL, IL
62863
PHONE:
(618)-262-8651
FAX:
(618)-263-3327

405 W. STATE ST
SUITE 1
PRINCETON, IN
47670
PHONE:
(812)-386-7611
FAX:
(812)-385-2812



PROFESSIONAL
DESIGN FIRM
LAND SURVEY &
PROFESSIONAL
ENGINEERING
CORPORATION
184-00087
(62-032435)(35-002769)



AARON M. MEFFORD
NAME
Aaron M. Mefford
SIGNATURE
3-17-09
DATE
11-30-09
EXPIRES

F.A.S. 881 (CH 6)
CORNERVILLE ROAD
SECTION 05-00094-00-FP
HAMILTON COUNTY, ILLINOIS

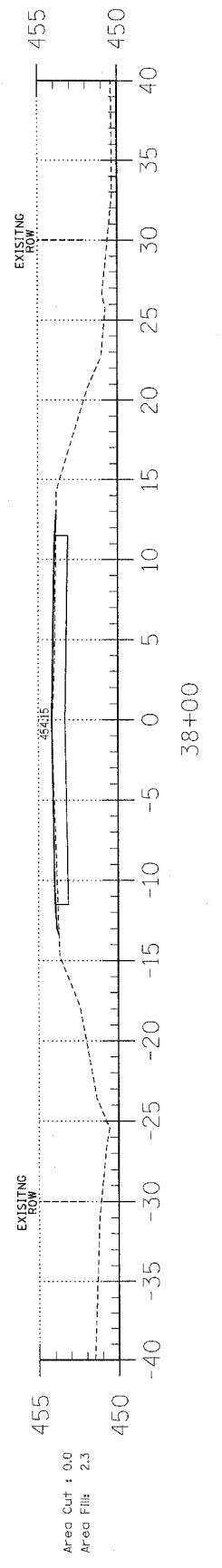
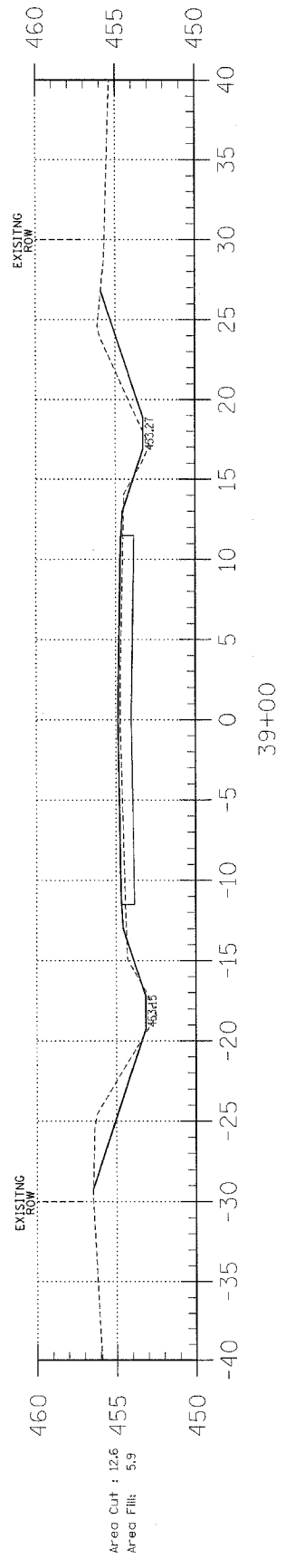
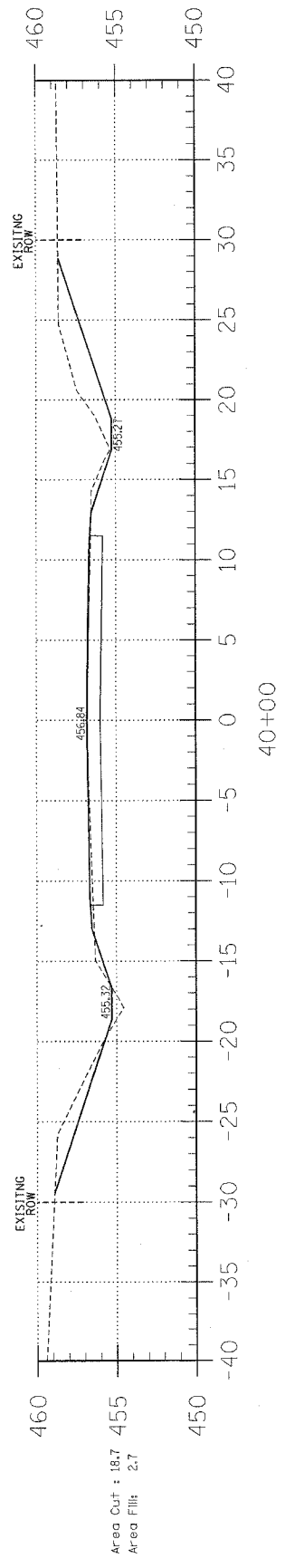
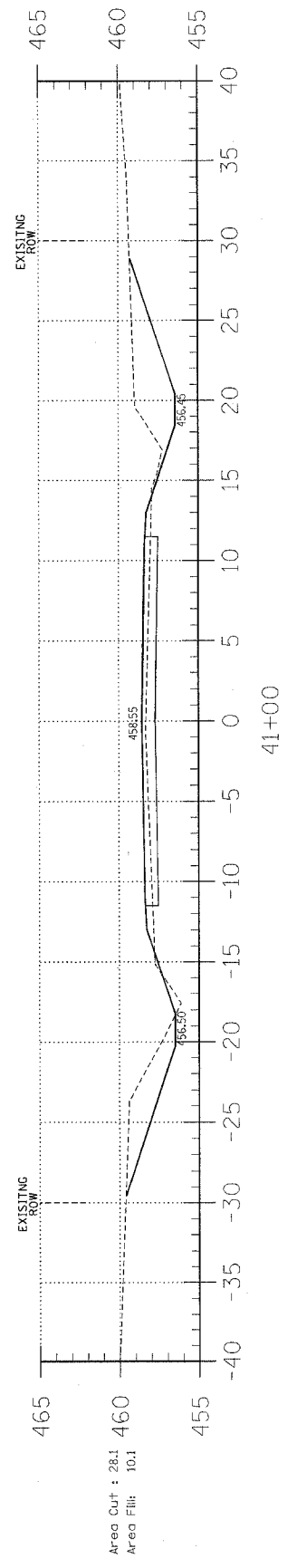
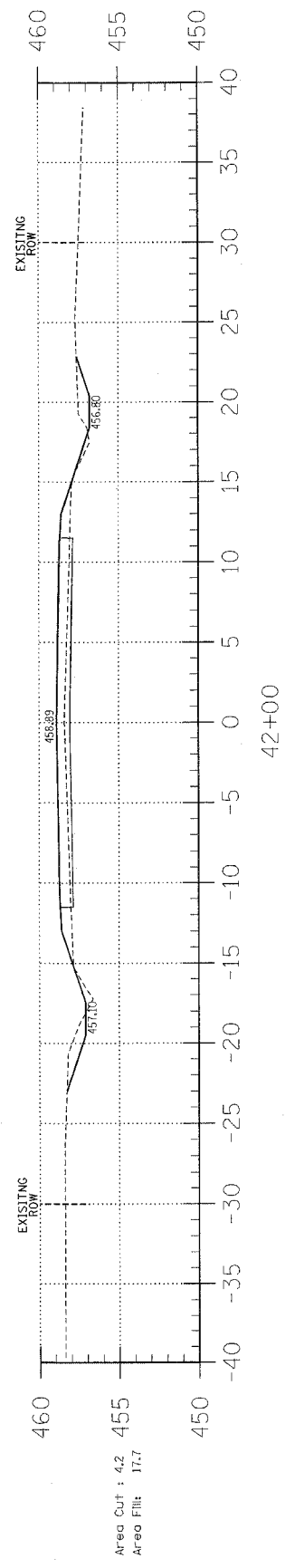
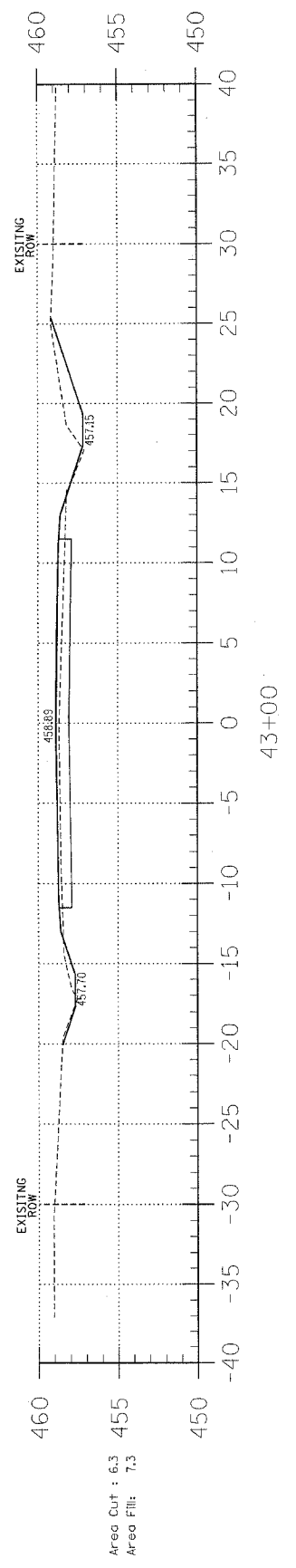
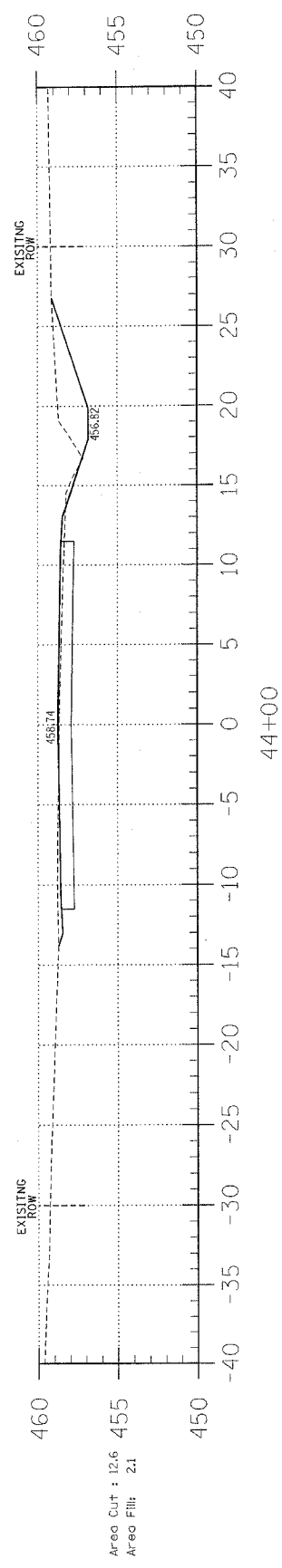
SHEET TITLE:

CROSS-SECTIONS

SCALE: 1" = 5'
BY: AMM
DATE: 2/109
REV:

20 OF 32
SHEETS

SHEET NO.
20



F.A.S.	SECTION	COUNTY	TOTAL SHEETS	SHEET NO.
881	05-00094-00-FP	HAMILTON	32	21
FED. ROAD DIST. NO. 9 ILLINOIS		CORNERVILLE ROAD		
PROJECT* RS-881(116)		CONTRACT* 99340		
LEC JOB # H061022NM				

323 W. 3RD ST.
P.O. BOX 160
MT. CARMEL, IL
62863
PHONE:
(618)-262-8651
FAX:
(618)-263-3327

405 W. STATE ST.
SUITE
PRINCETON, IN
47870
PHONE:
(812)-386-7611
FAX:
(812)-385-2812



PROFESSIONAL
DESIGN FIRM
LAND SURVEY &
PROFESSIONAL
ENGINEERING
CORPORATION
184-000887
(82-032435)(35-002769)



AARON M. MEFFORD
NAME
Aaron M. Mefford
SIGNATURE
3-17-09
DATE
11-30-09
EXPIRES

F.A.S. 881 (CH 6)
CORNERVILLE ROAD
SECTION 05-00094-00-FP
HAMILTON COUNTY, ILLINOIS

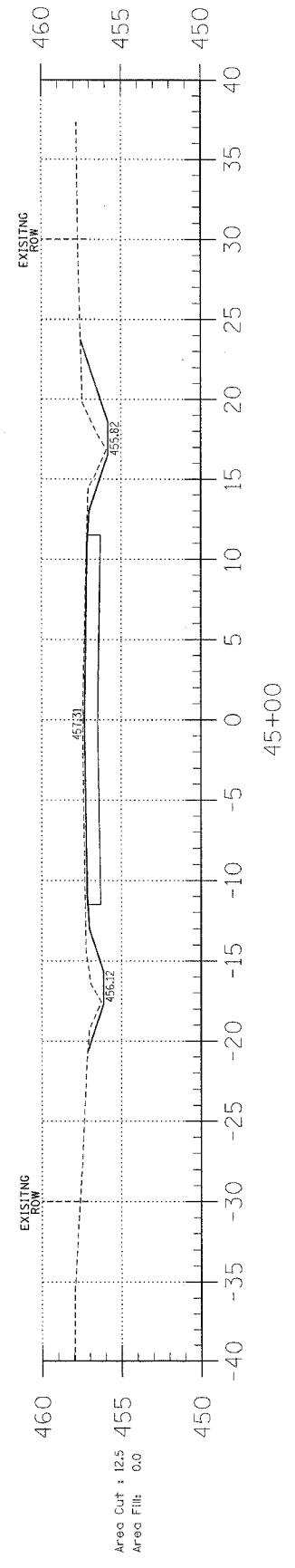
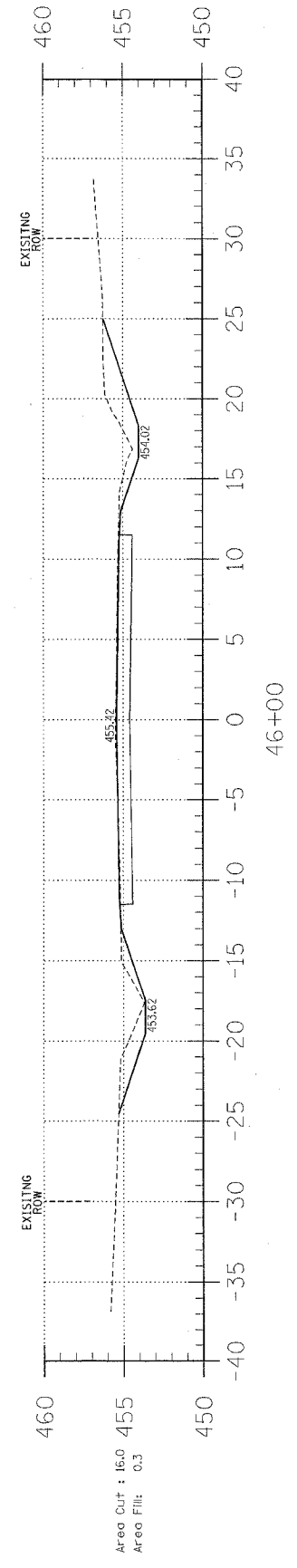
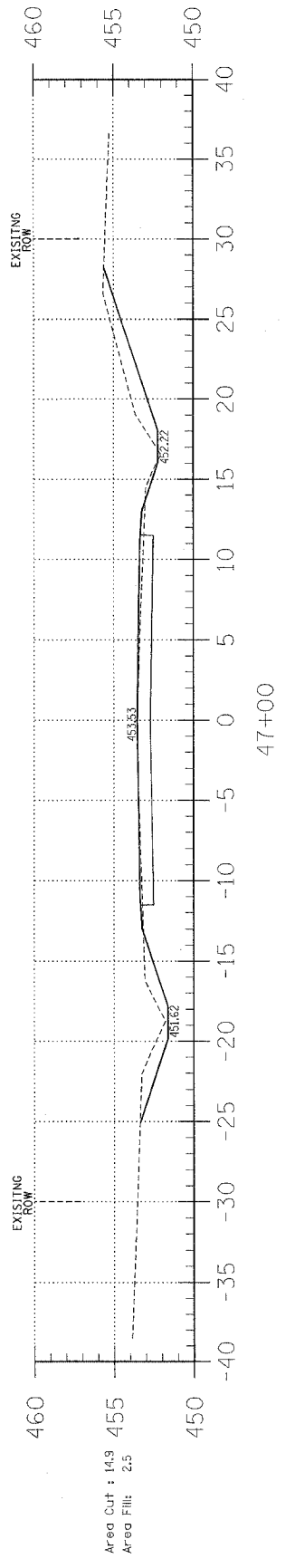
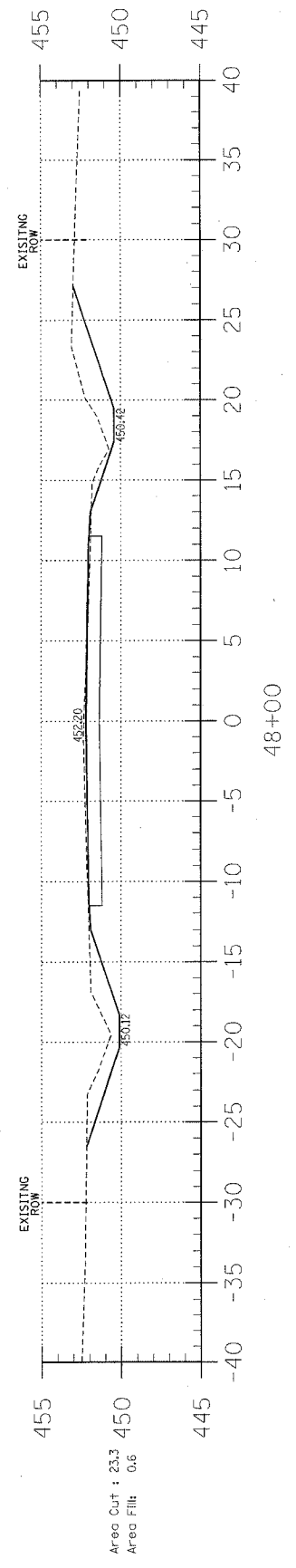
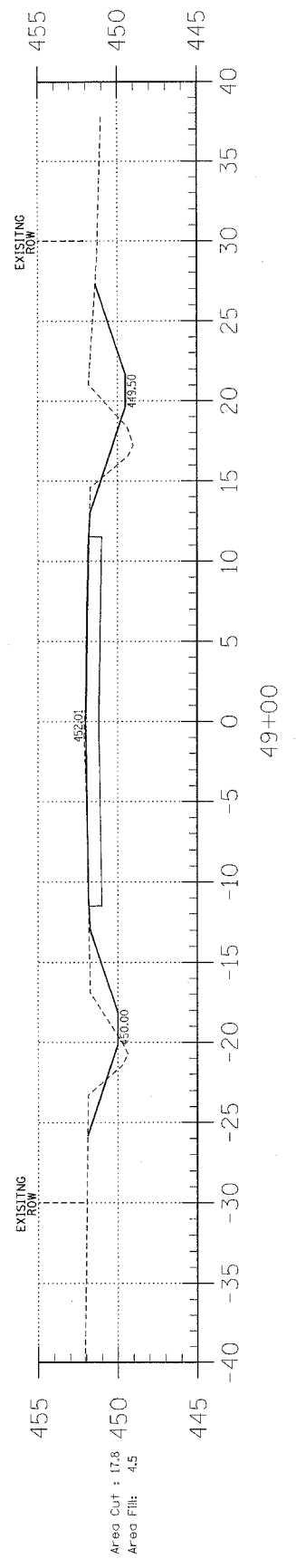
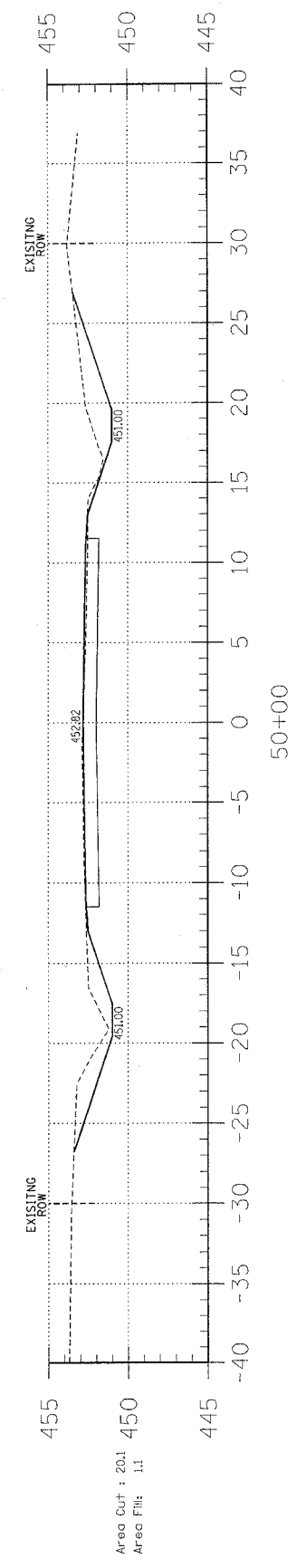
SHEET TITLE:

CROSS-SECTIONS

SCALE:	1" = 5'
BY:	AMM
DATE:	2/10/09
REV.	

21 OF 32
SHEETS

SHEET NO.
21



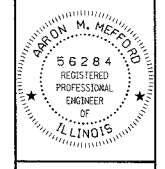
F.A.S.	SECTION	COUNTY	TOTAL SHEETS	SHEET NO.
881	05-00094-00-FP	HAMILTON	32	22
FED. ROAD DIST. NO. 9 ILLINOIS		CORNERVILLE ROAD		
PROJECT# RS-881(116)		CONTRACT# 99340		
LEC JOB # H06TL0229M				

323 W. 3RD ST.
P.O. BOX 160
MT. CARMEL, IL
62863
PHONE:
(618)-262-8651
FAX:
(618)-263-3327

406 W. STATE ST.
SUITE 1
PRINCETON, IN
47670
PHONE:
(812)-386-7611
FAX:
(812)-385-2812



PROFESSIONAL
DESIGN FIRM
LAND SURVEY &
ENGINEERING
CORPORATION
184-000887
(62-032435)(35-002769)



AARON M. MEFFORD
NAME
Aaron M. Mefford
SIGNATURE
3-17-09
DATE
11-30-09
EXPIRES

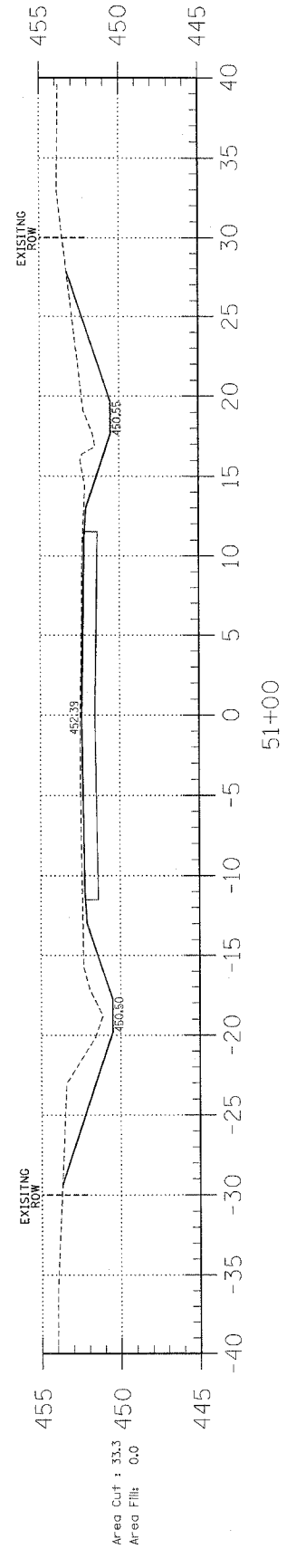
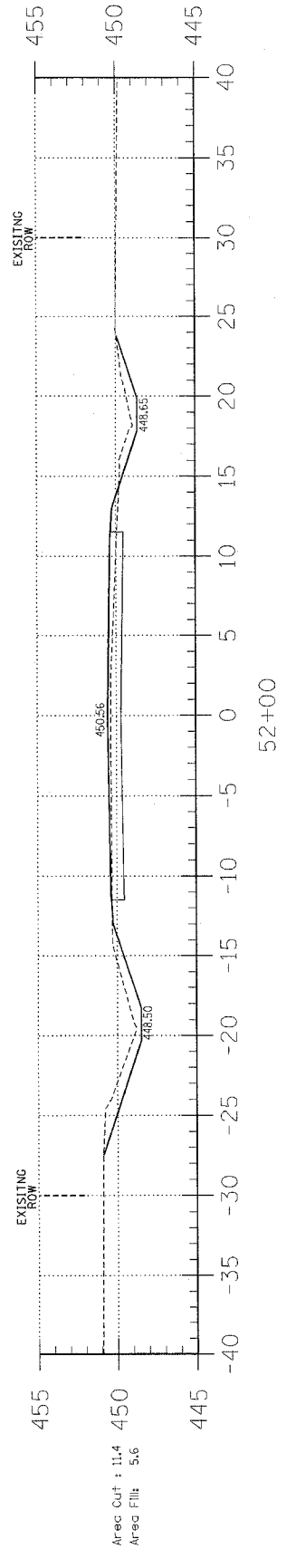
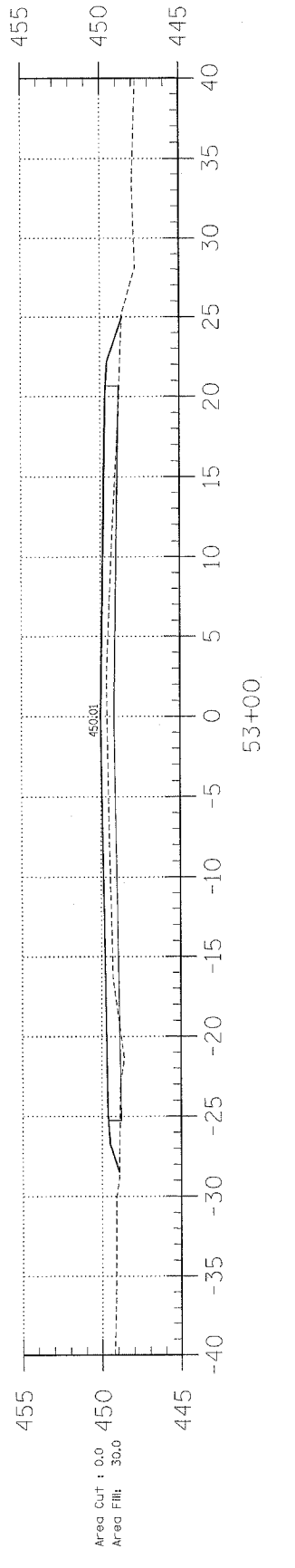
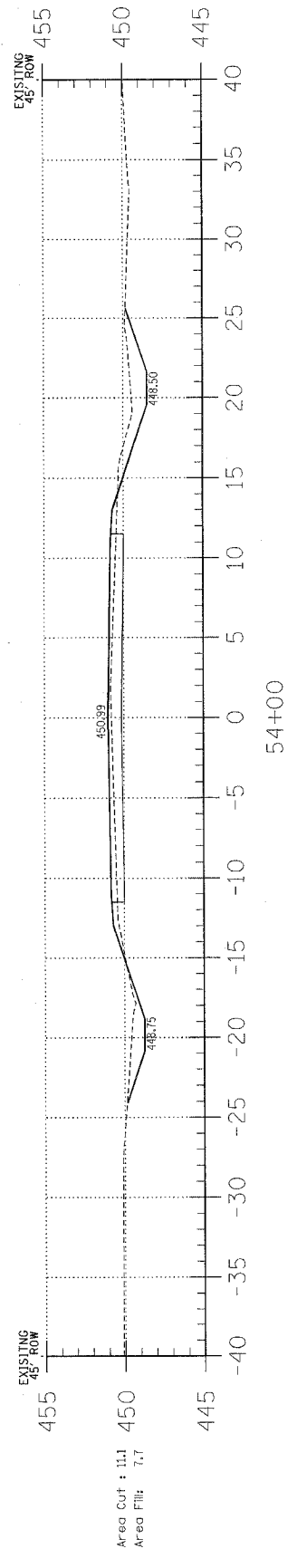
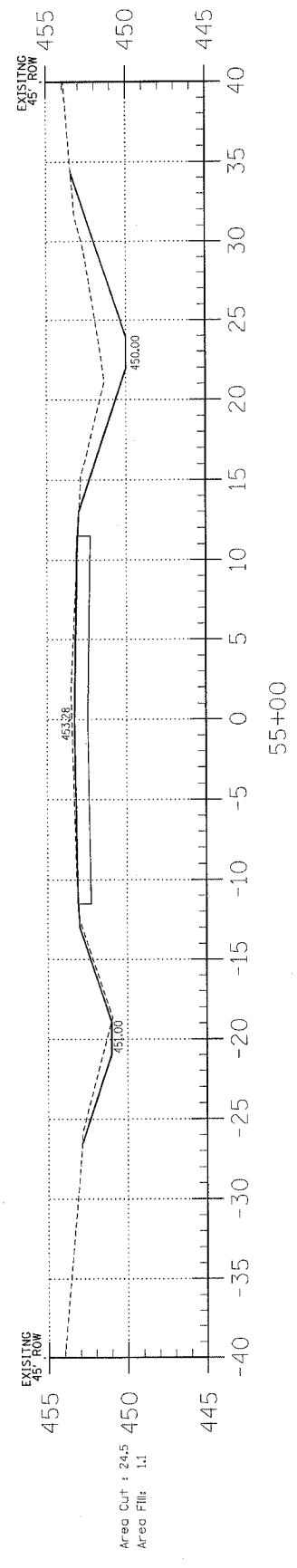
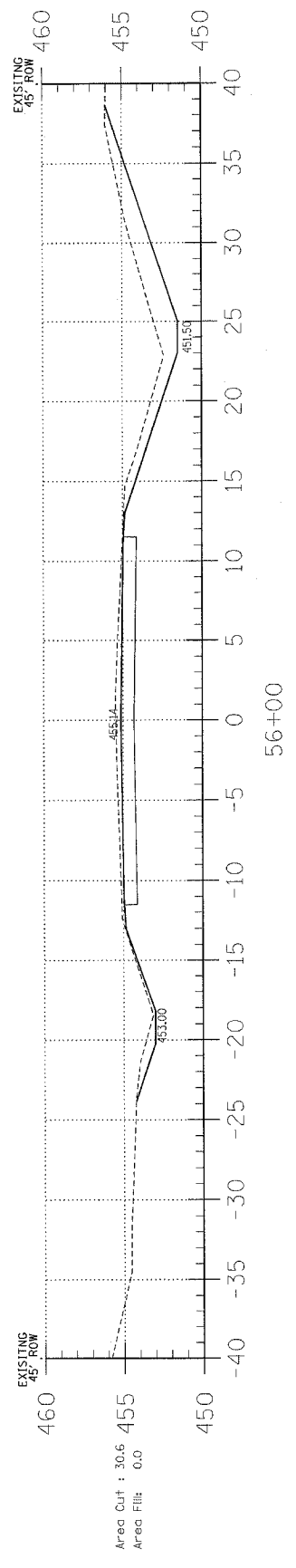
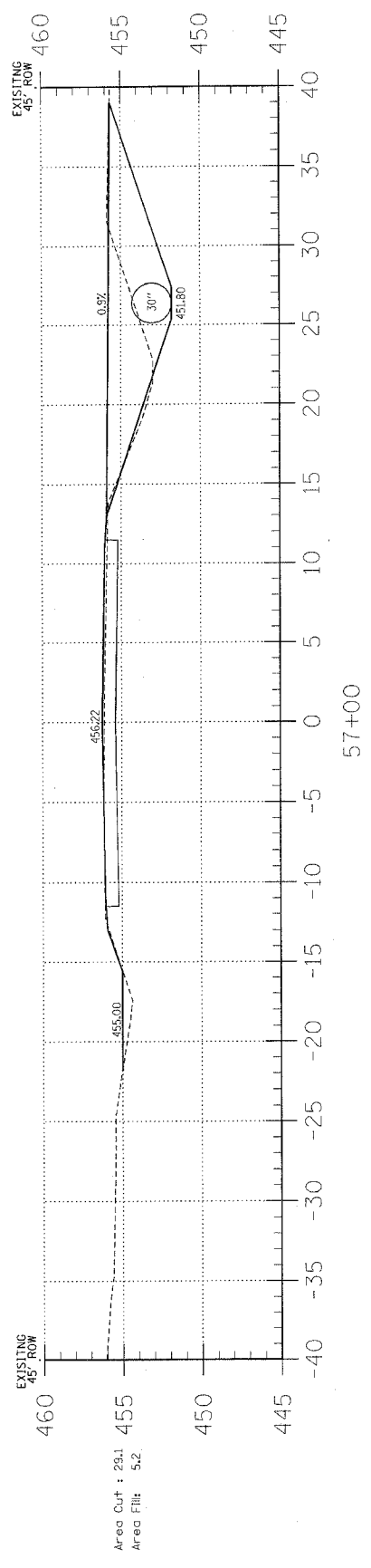
F.A.S. 881 (CH 6)
CORNERVILLE ROAD
SECTION 05-00094-00-FP
HAMILTON COUNTY, ILLINOIS

SHEET TITLE:
CROSS-SECTIONS

SCALE: 1" = 5'
BY: AMM
DATE: 3/1/08
REV:

22 OF 32
SHEETS

SHEET NO.
22



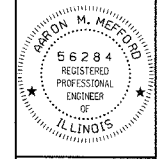
F.A.S.	SECTION	COUNTY	TOTAL SHEETS	SHEET NO.
881	05-00094-00-FP	HAMILTON	32	23
FED. ROAD DIST. NO. 9 ILLINOIS		CORNERVILLE ROAD		
PROJECT# RS-881(116)		CONTRACT# 99340		
LEC JOB # H061022HM				

323 W. 3RD ST.
P.O. BOX 160
MT. CARMEL, IL
62863
PHONE:
(618)-262-8651
FAX:
(618)-263-3327

405 W. STATE ST.
SUITE 1
FRINGETON, IN
47670
PHONE:
(812)-386-7611
FAX:
(812)-385-2612



PROFESSIONAL
DESIGN FIRM
LAND SURVEY &
PROFESSIONAL
ENGINEERING
CORPORATION
184-000897
(62-032435)(35-002769)



AARON M. MEFFORD
NAME
Aaron Mefford
SIGNATURE
3-17-09
DATE
11-30-09
EXPIRES

F.A.S. 881 (CH 6)
CORNERVILLE ROAD
SECTION 05-00094-00-FP
HAMILTON COUNTY, ILLINOIS

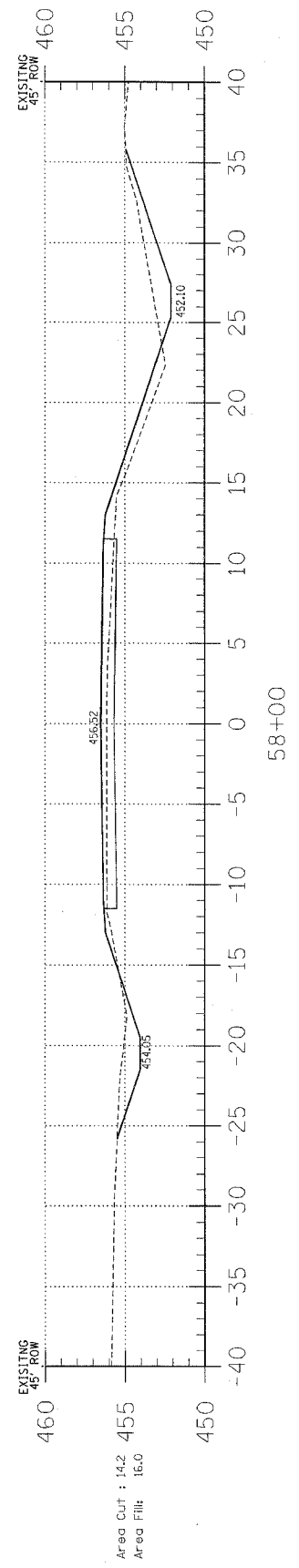
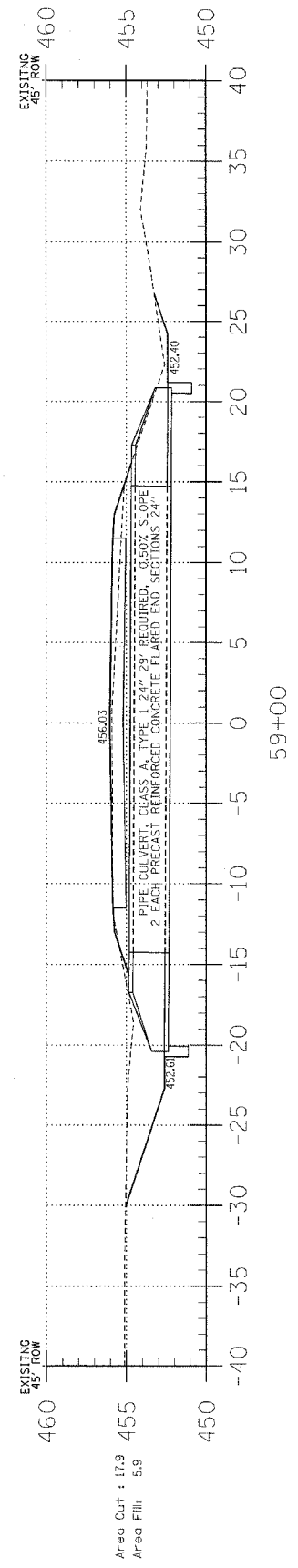
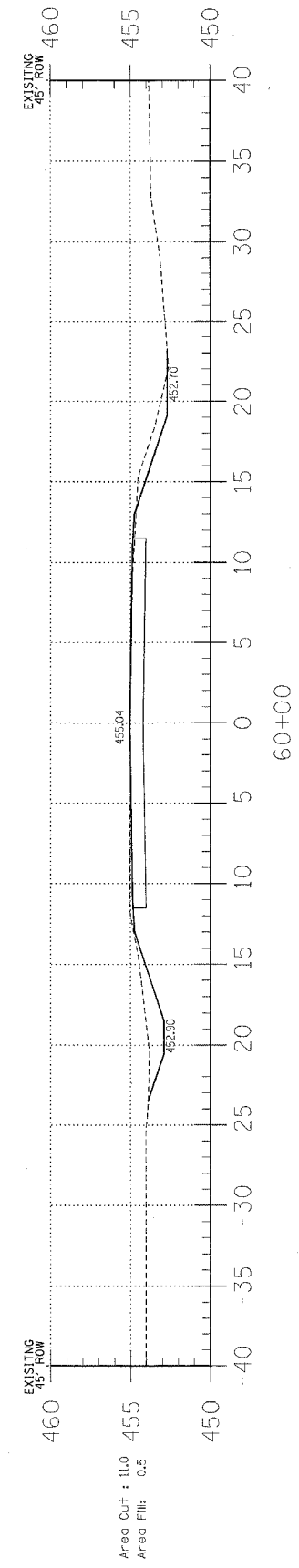
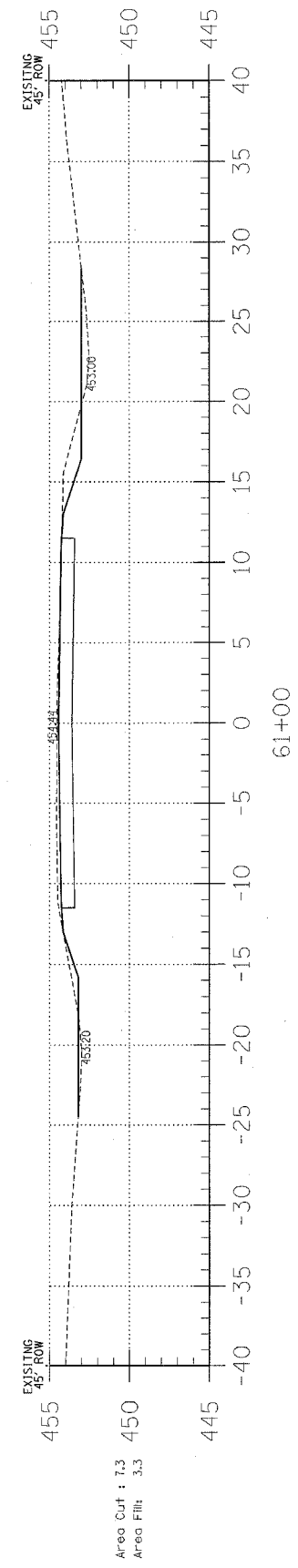
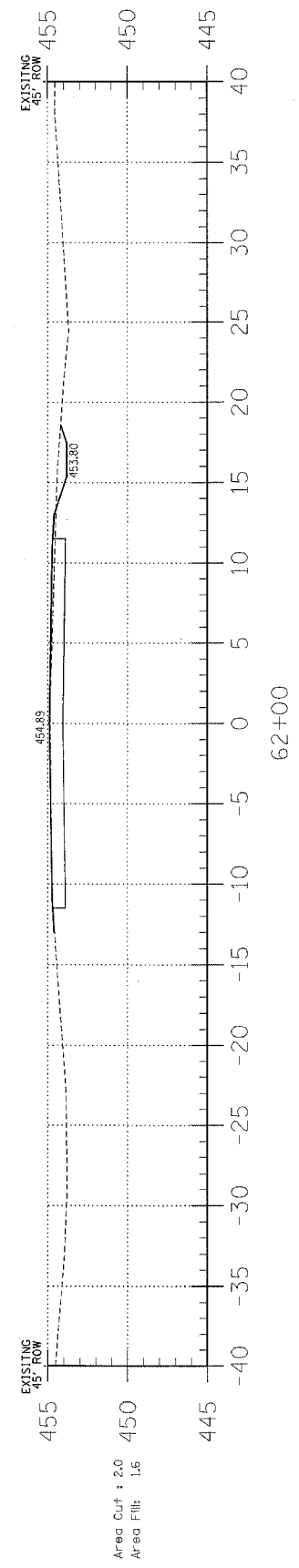
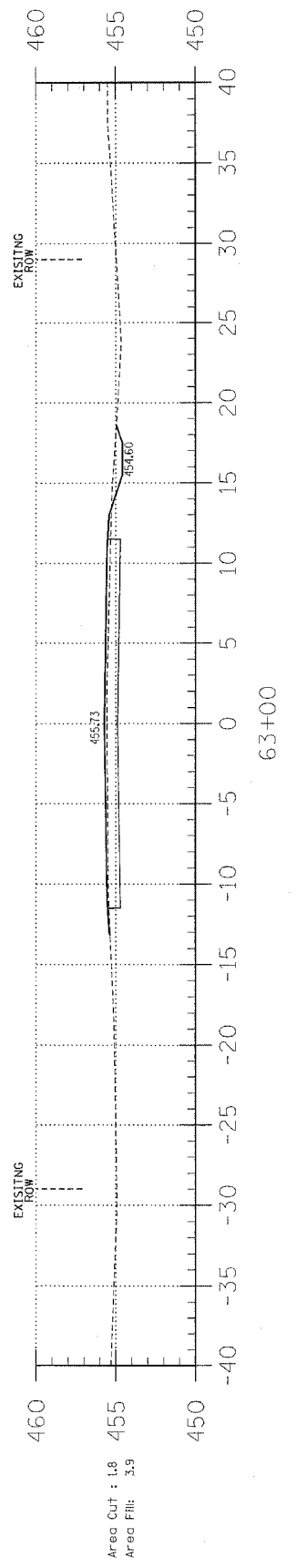
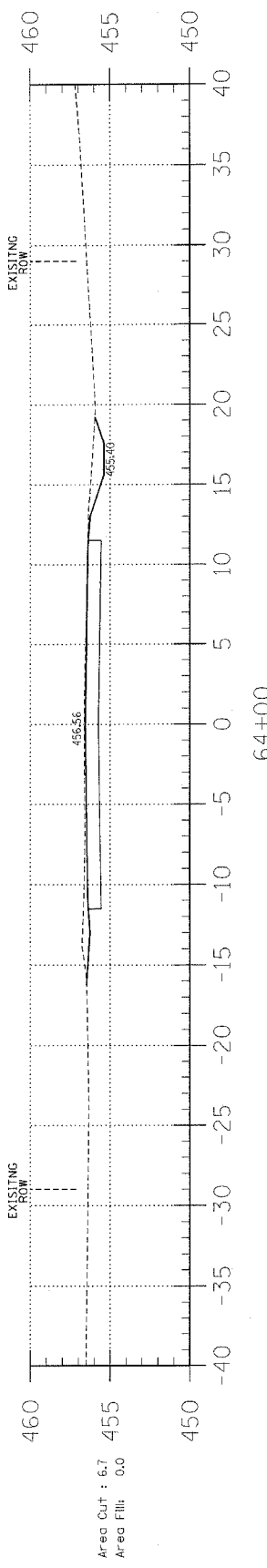
SHEET TITLE:

CROSS-SECTIONS

SCALE: 1" = 5'
BY: AMM
DATE: 2/10/09
REV:

23 OF 32
SHEETS

SHEET NO.
23



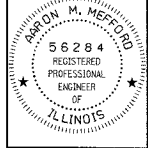
F.A.S.	SECTION	COUNTY	TOTAL SHEETS	SHEET NO.
881	05-00094-00-FP	HAMILTON	32	24
FED. ROAD DIST. NO. 9 ILLINOIS		CORNERVILLE ROAD		
PROJECT# RS-881(116)		CONTRACT# 99340		
LEC JOB # H061L022M				

323 W. 3RD ST.
P.O. BOX 160
MT. CARMEL, IL
62866
PHONE:
(618)-262-8651
FAX:
(618)-263-3327

405 W. STATE ST.
SUITE 1
PRINCETON, IN
47670
PHONE:
(812)-386-7611
FAX:
(812)-385-2812



PROFESSIONAL DESIGN FIRM
LAND SURVEY & PROFESSIONAL ENGINEERING CORPORATION
184-00087
(62-032435)(35-02769)



AARON M. MEFFORD
NAME
Aaron Mefford
SIGNATURE
3-17-09
DATE
11-30-09
EXPIRES

F.A.S. 881 (CH 6)
CORNERVILLE ROAD
SECTION 05-00094-00-FP
HAMILTON COUNTY, ILLINOIS

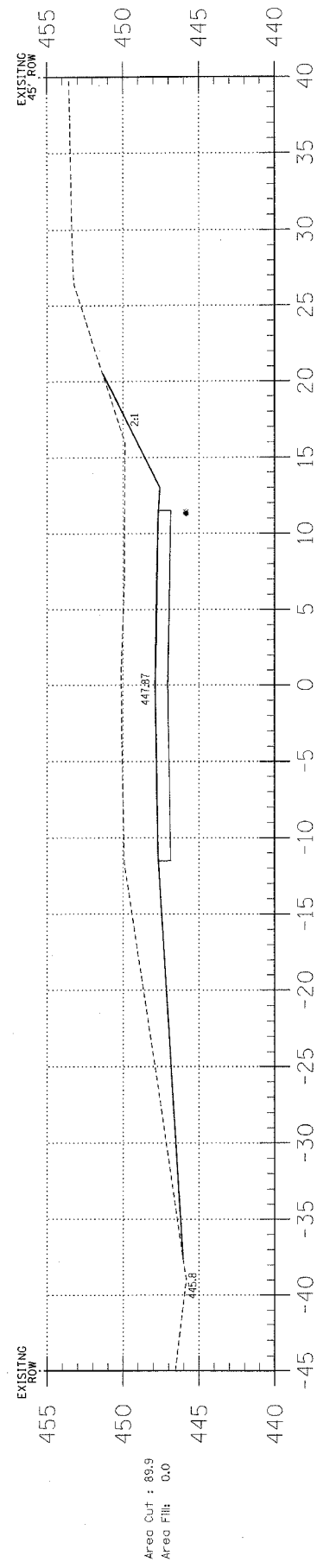
SHEET TITLE:

CROSS-SECTIONS

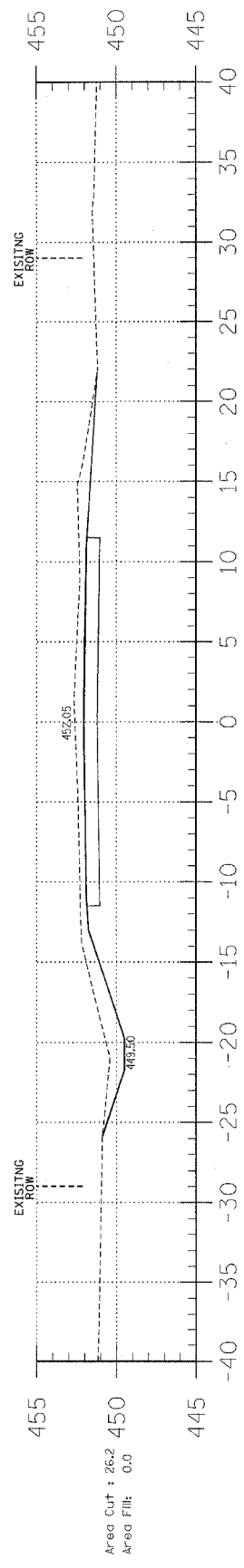
SCALE: 1" = 5'
BY: AMM
DATE: 2/10/08
REV:

24 OF 32 SHEETS

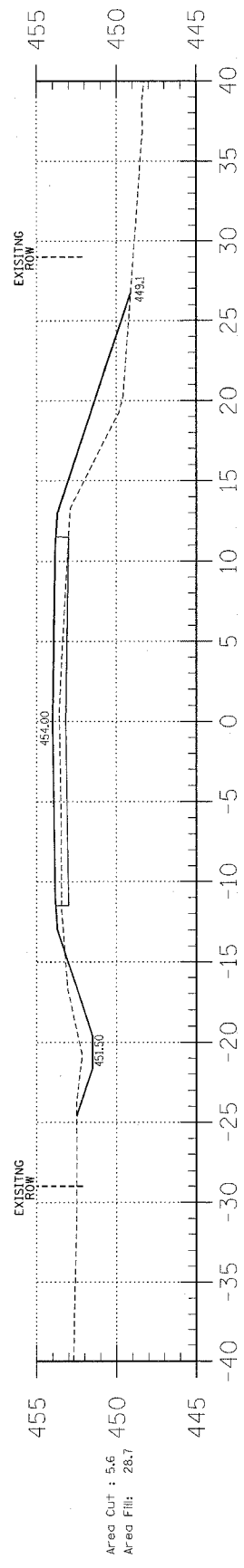
SHEET NO. 24



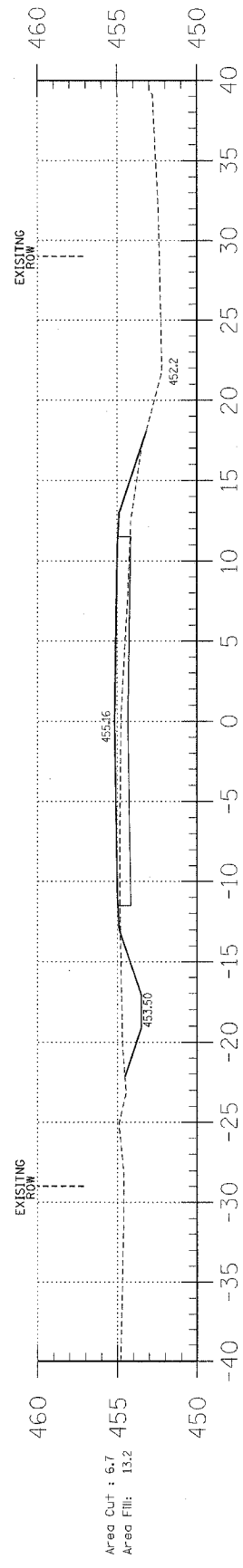
70+00



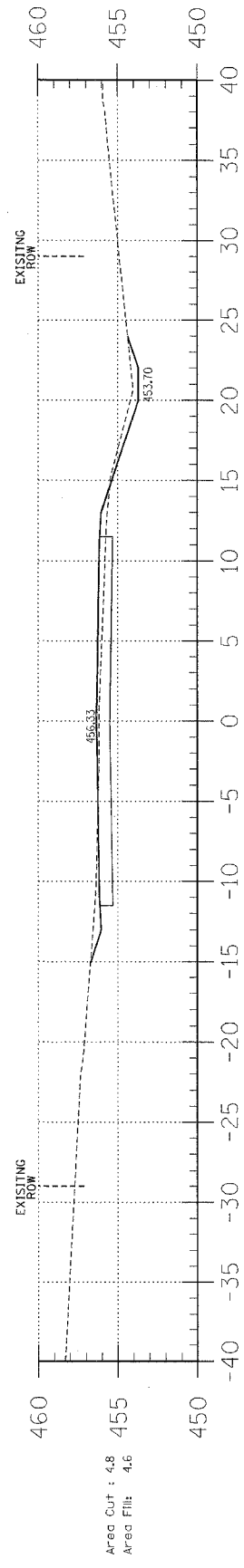
69+00



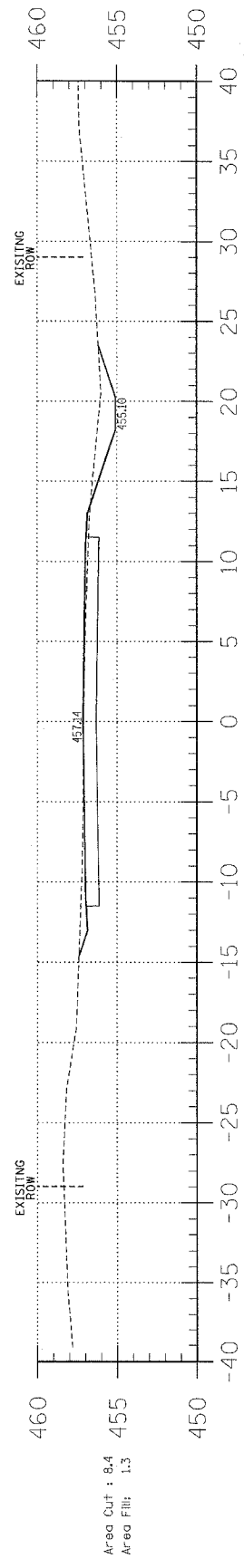
68+00



67+00



66+00



65+00

F.A.S.	SECTION	COUNTY	TOTAL SHEETS	SHEET NO.
B81	05-00094-00-FP	HAMILTON	32	25
FED. ROAD DIST. NO. 9 ILLINOIS		CORNERVILLE ROAD		
PROJECT# RS-881(116)		CONTRACT# 99340		
LEC JOB # H061.022M				

323 W. 3RD ST.
P.O. BOX 160
MT. CARMEL, IL
62863
PHONE:
(618)-262-8651
FAX:
(618)-263-3327

405 W. STATE ST.
SUITE 1
PRINCETON, IN
47670
PHONE:
(317)-386-7611
FAX:
(317)-385-2812



PROFESSIONAL
DESIGN FIRM
LAND SURVEY &
PROFESSIONAL
ENGINEERING
CORPORATION
184-000897
(62-032435)(35-022769)



AARON M. MEFFORD
NAME
Aaron M. Mefford
SIGNATURE
DATE
3-17-09
11-30-09
EXPIRES

F.A.S. 881 (CH 6)
CORNERVILLE ROAD
SECTION 05-00094-00-FP
HAMILTON COUNTY, ILLINOIS

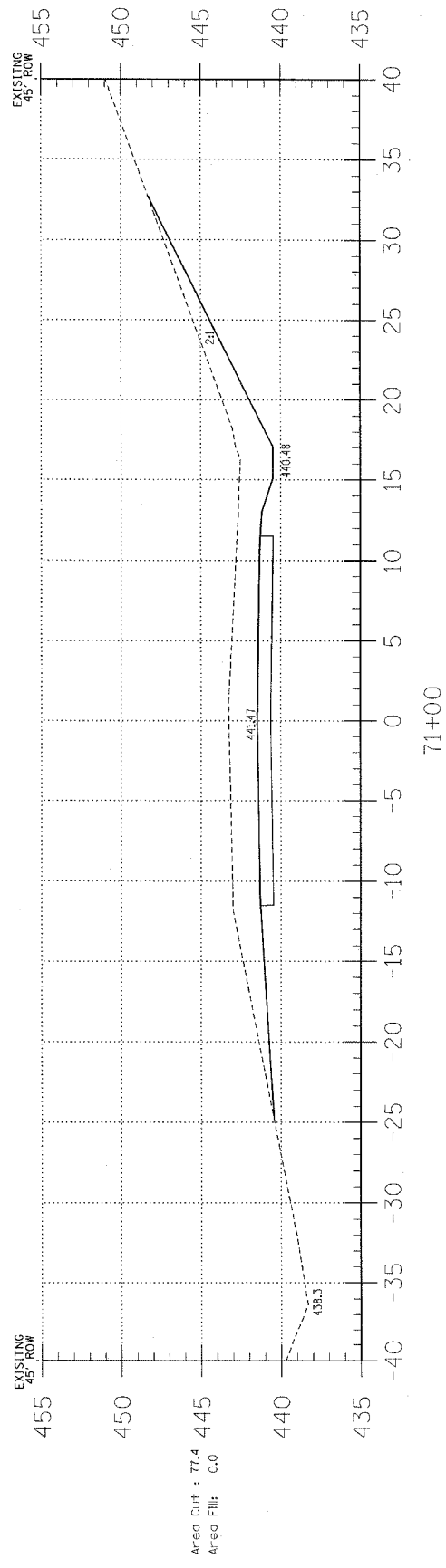
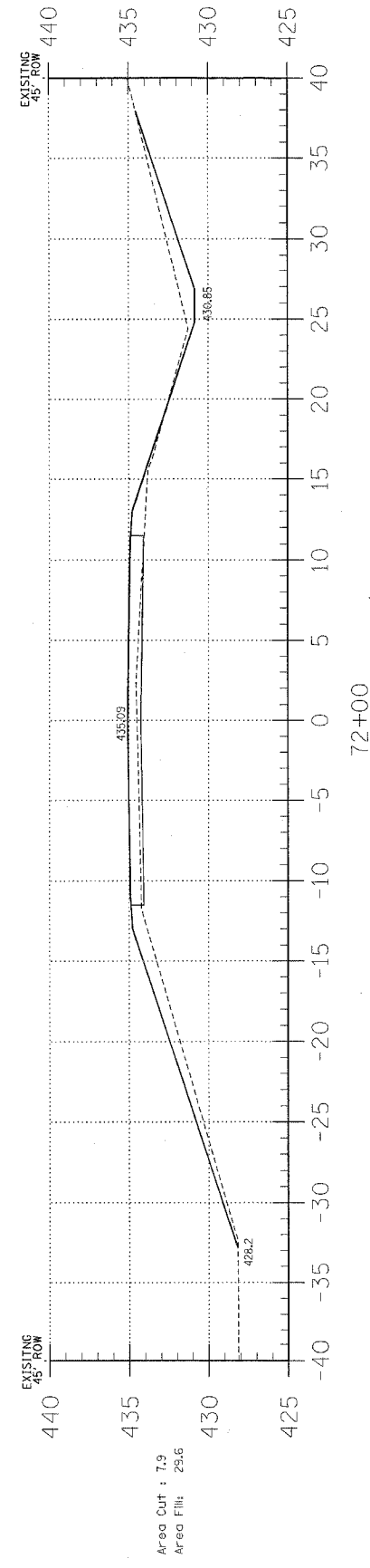
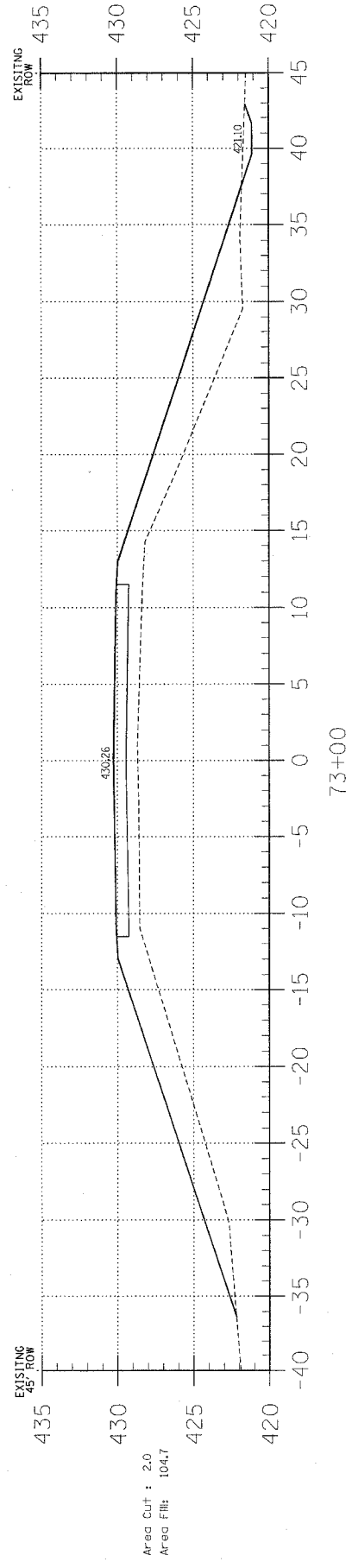
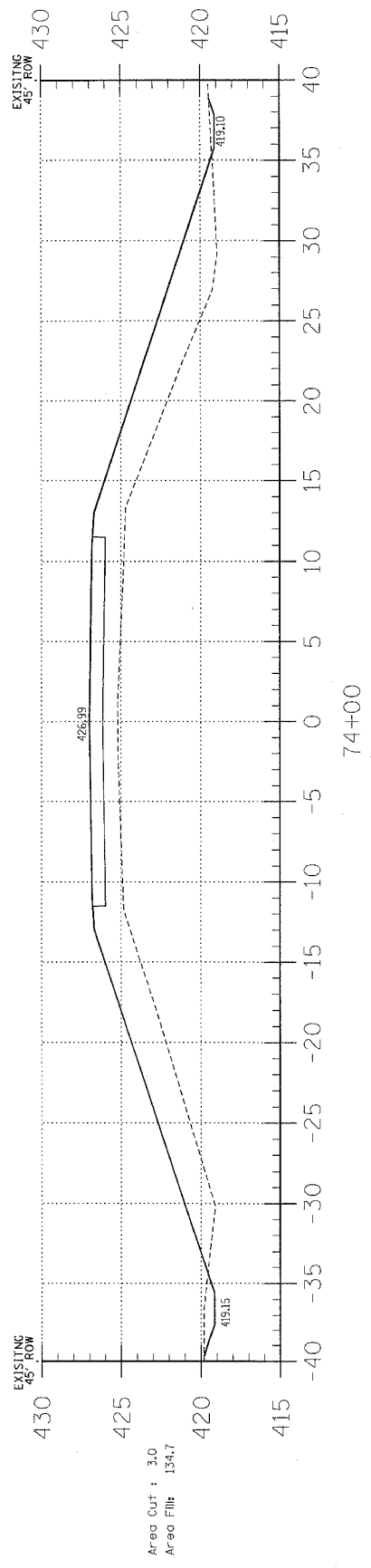
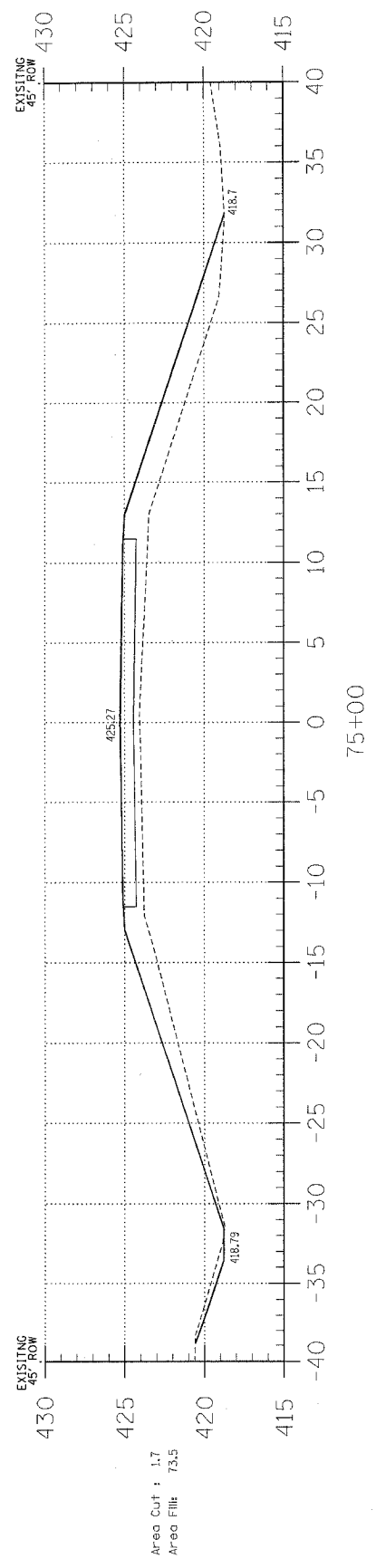
SHEET TITLE:

CROSS-SECTIONS

SCALE:	1" = 5'
BY:	AMM
DATE:	2/10/09
REV:	

25 OF 32
SHEETS

SHEET NO.
25



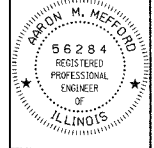
F.A.S.	SECTION	COUNTY	TOTAL SHEETS	SHEET NO.
881	05-00094-00-FP	HAMILTON	32	26
FED. ROAD DIST. NO. 9 ILLINOIS		CORNERVILLE ROAD		
PROJECT# RS-881(116)		CONTRACT# 99340		
LEC JOB # H0GIL022HM				

323 W. 3RD. ST.
P.O. BOX 160
MT. CARMEL, IL
62863
PHONE:
(618)-262-8651
FAX:
(618)-263-3327

405 W. STATE ST.
SUITE 1
PRINCETON, IN
47670
PHONE:
(812)-386-7611
FAX:
(812)-385-2812



PROFESSIONAL
DESIGN FIRM
LAND SURVEY &
PROFESSIONAL
ENGINEERING
CORPORATION
184-000887
(62-032435)(35-002769)



AARON M. MEFFORD
NAME
Aaron Mefford
SIGNATURE
3-17-09
DATE
11-30-09
EXPIRES

F.A.S. 881 (CH 6)
CORNERVILLE ROAD
SECTION 05-00094-00-FP
HAMILTON COUNTY, ILLINOIS

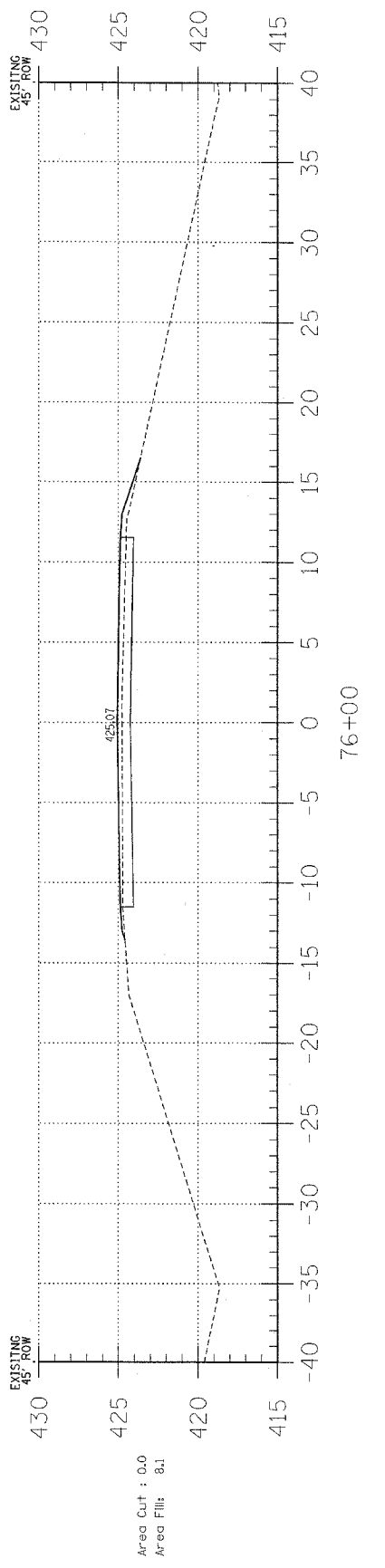
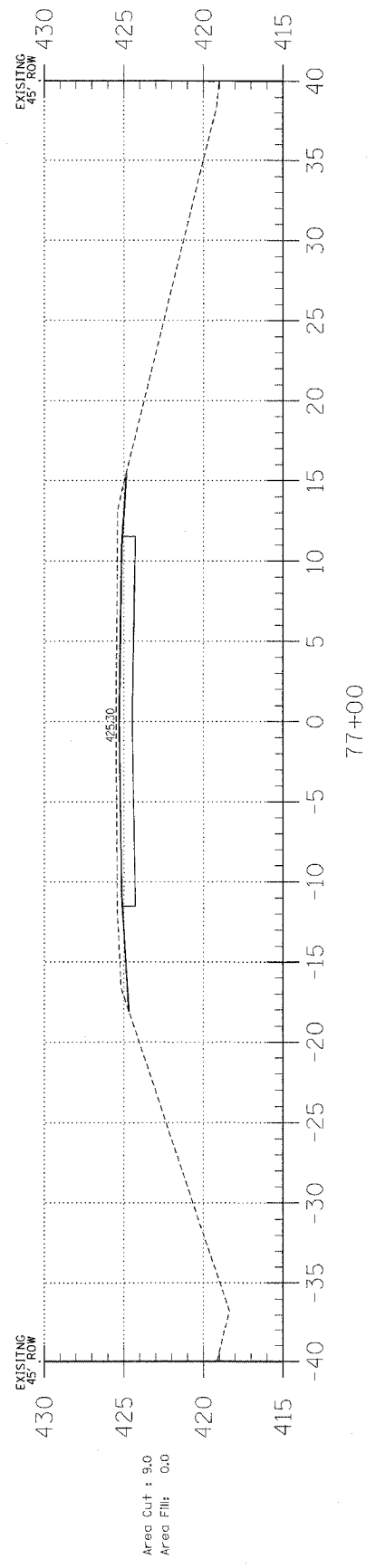
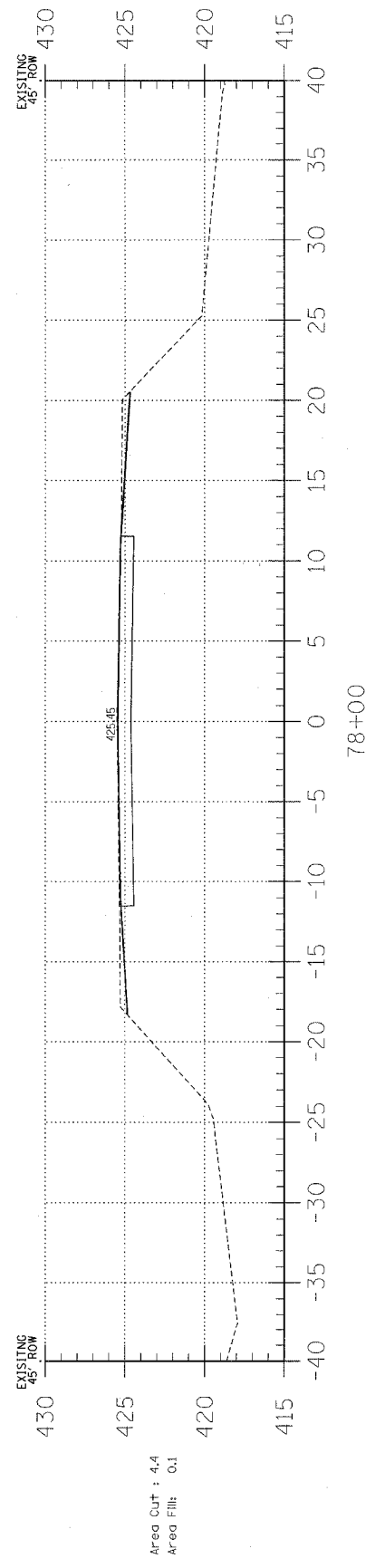
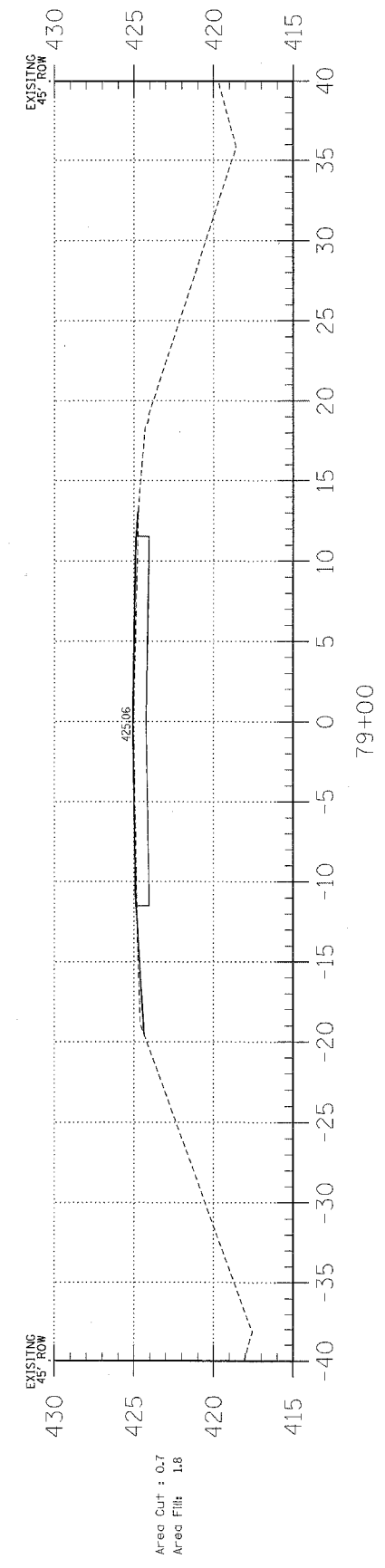
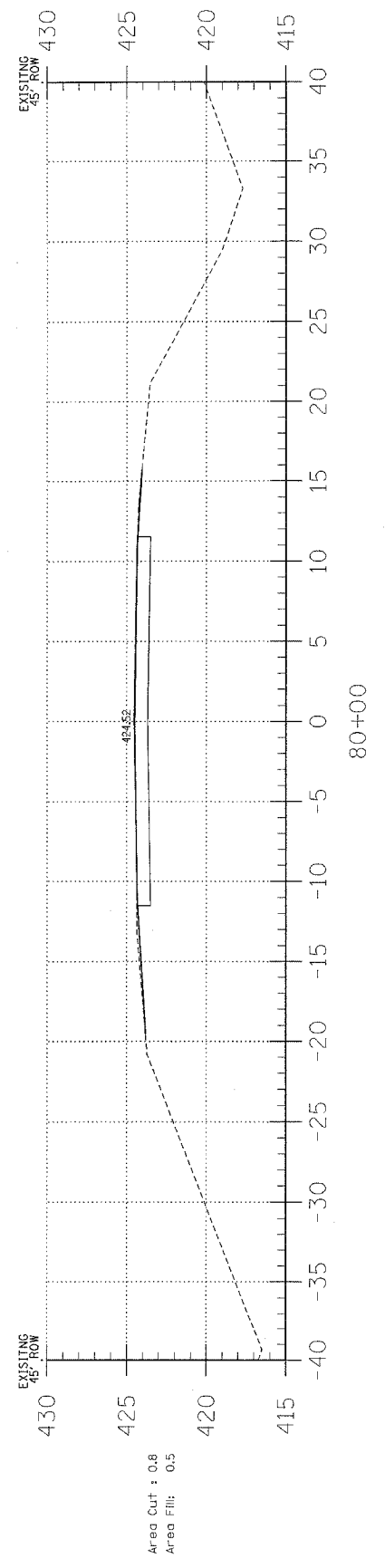
SHEET TITLE:

CROSS-SECTIONS

SCALE:	1" = 5'
BY:	AMM
DATE:	2/10/09
REV:	

26 OF 32
SHEETS

SHEET NO.
26



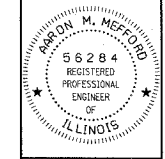
F.A.S.	SECTION	COUNTY	TOTAL SHEETS	SHEET NO.
881	05-00094-00-FP	HAMILTON	32	27
FED. ROAD DIST. NO. 9	ILLINOIS	CORNERVILLE ROAD		
PROJECT* RS-881(116)		CONTRACT* 99340		
LEC JOB # HD61.022M				

323 W. 3RD ST.
P.O. BOX 160
MT. CARMEL, IL
62863
PHONE:
(618)-262-8651
FAX:
(618)-263-3327

405 W. STATE ST
SUITE 1
PRINCETON, IN
47670
PHONE:
(812)-386-7611
FAX:
(812)-385-2812



PROFESSIONAL DESIGN FIRM
LAND SURVEY & PROFESSIONAL ENGINEERING CORPORATION
184-000887
(82-032435)(35-002769)



AARON M. MEFFORD
NAME
Aaron Mefford
SIGNATURE
3-17-09
DATE
11-30-09
EXPIRES

F.A.S. 881 (CH 6)
CORNERVILLE ROAD
SECTION 05-00094-00-FP
HAMILTON COUNTY, ILLINOIS

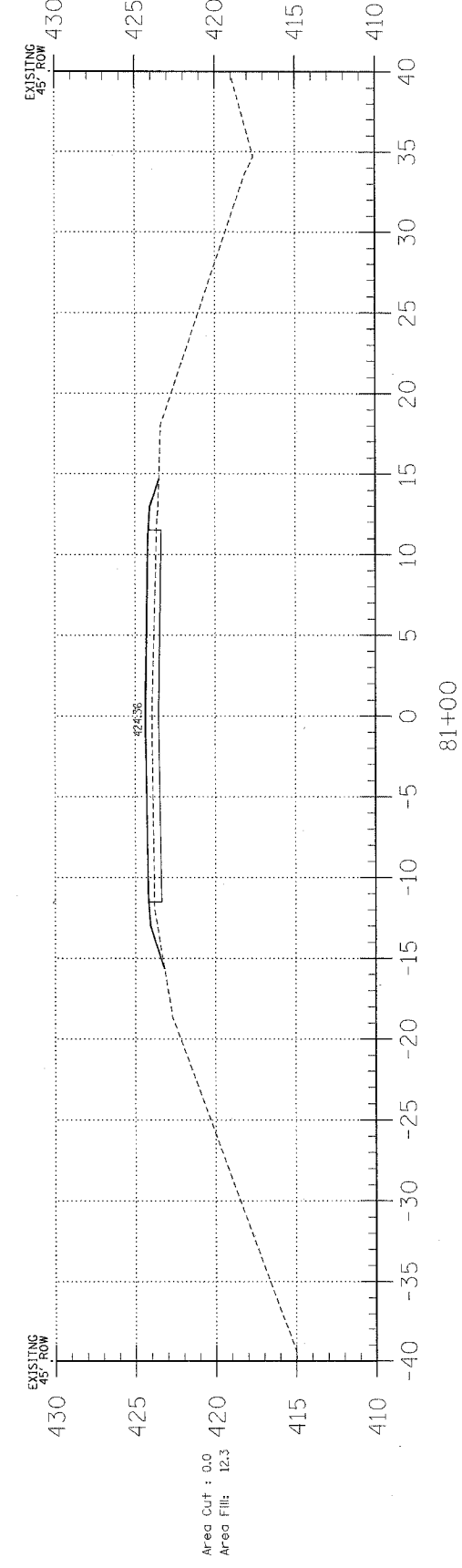
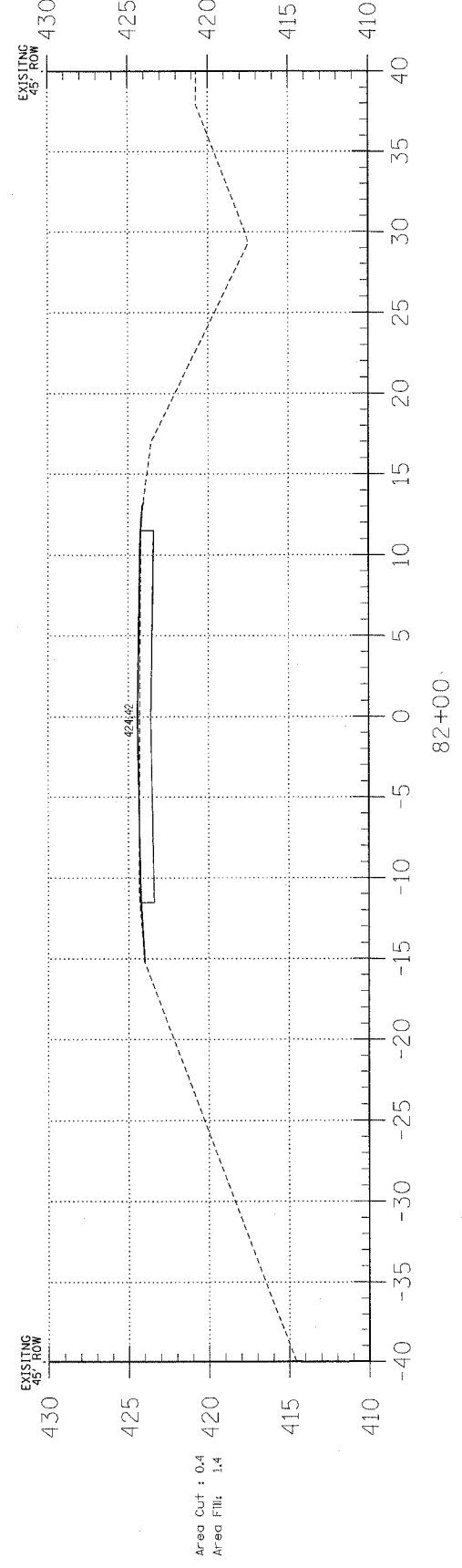
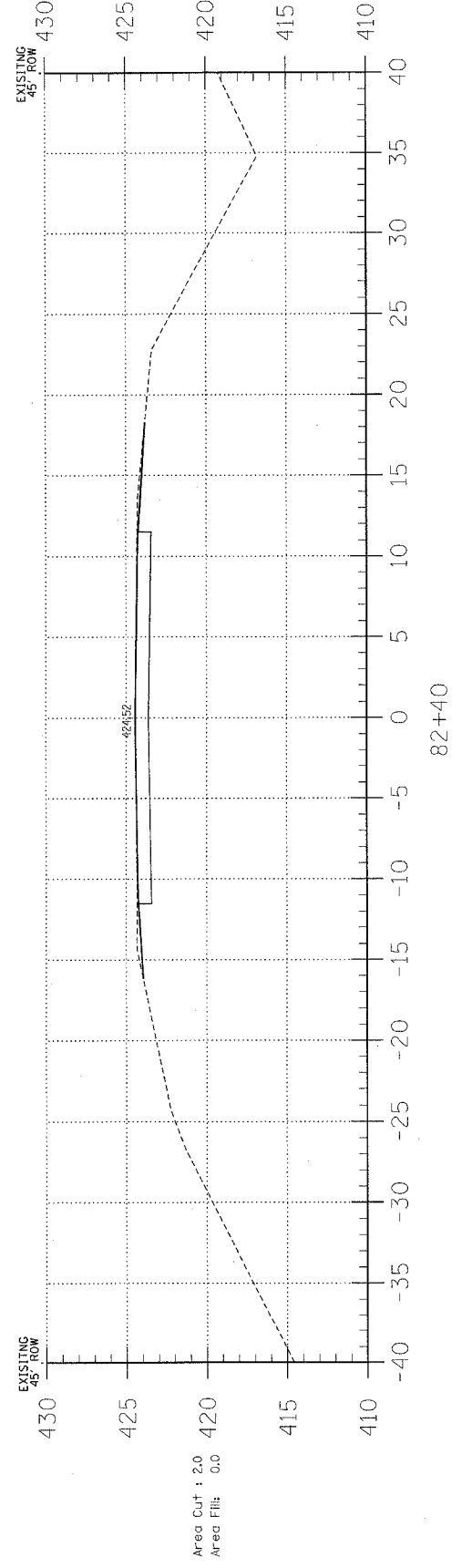
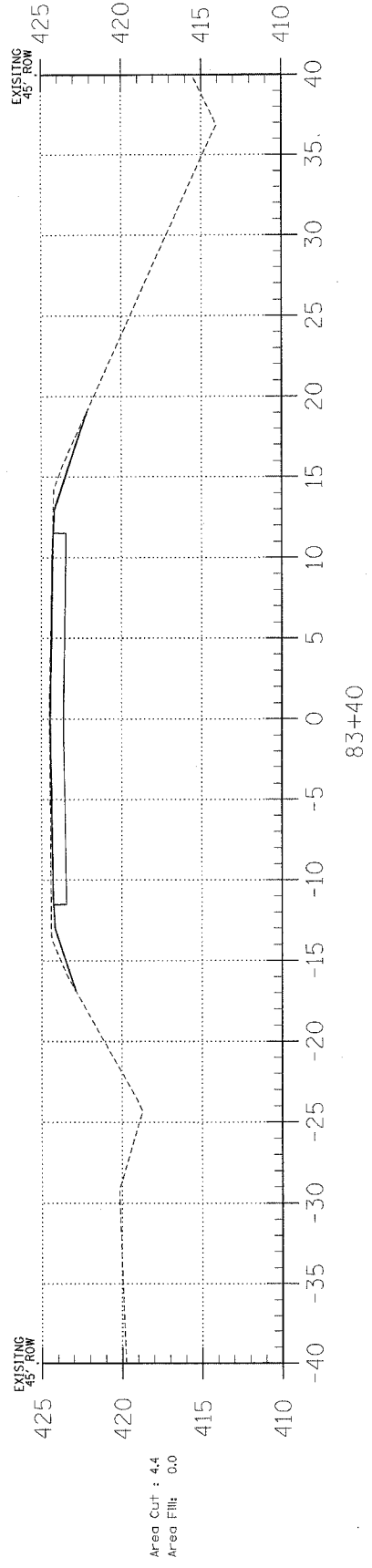
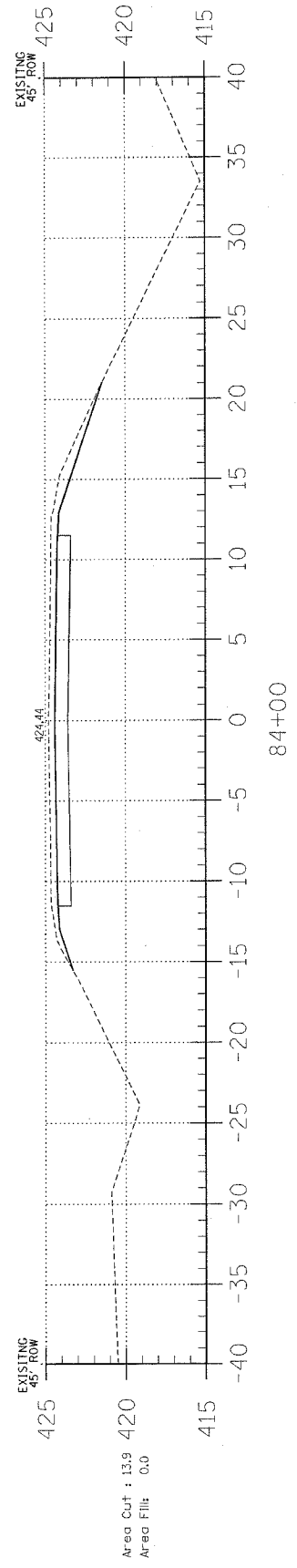
SHEET TITLE:

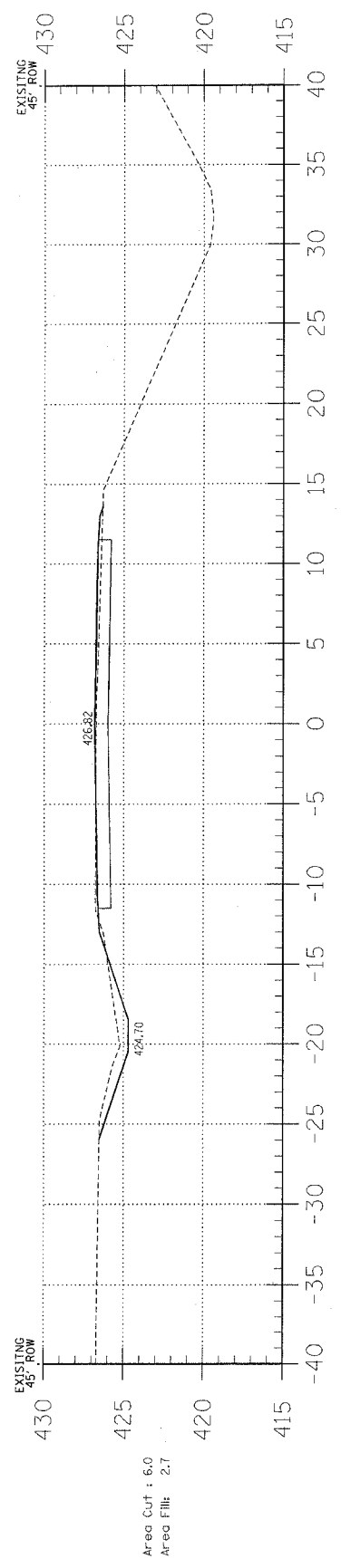
CROSS-SECTIONS

SCALE:	1" = 5'
BY:	AMM
DATE:	2/10/09
REV:	

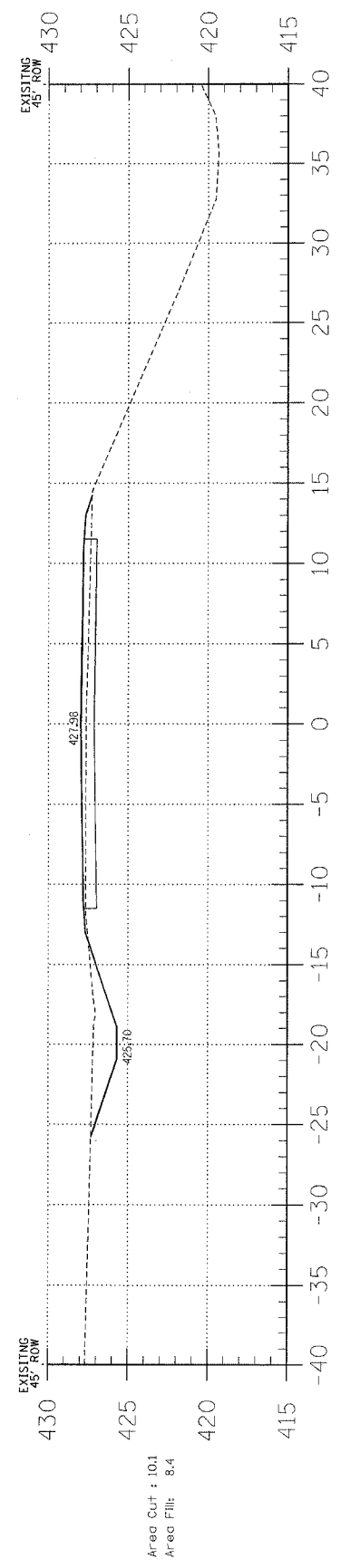
27 OF 32 SHEETS

SHEET NO.
27

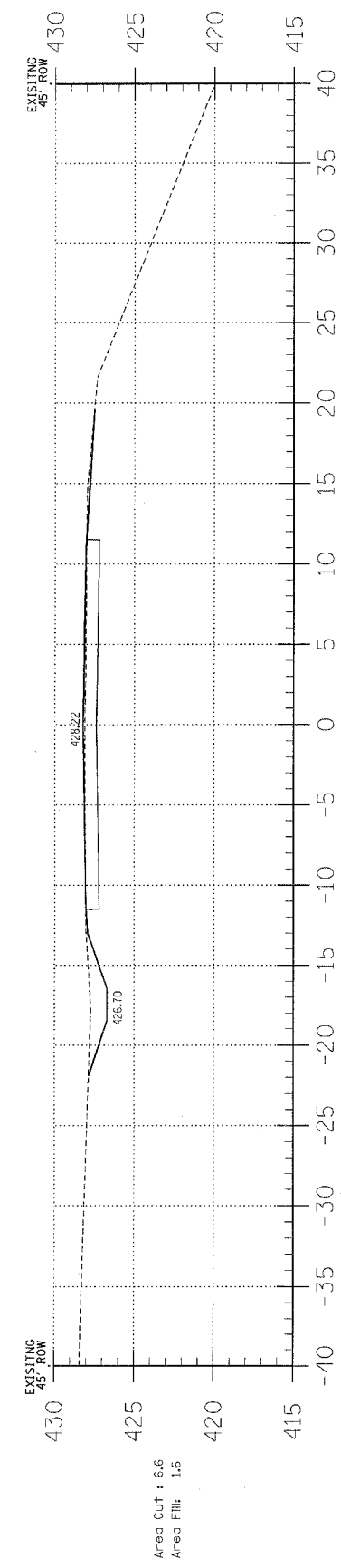




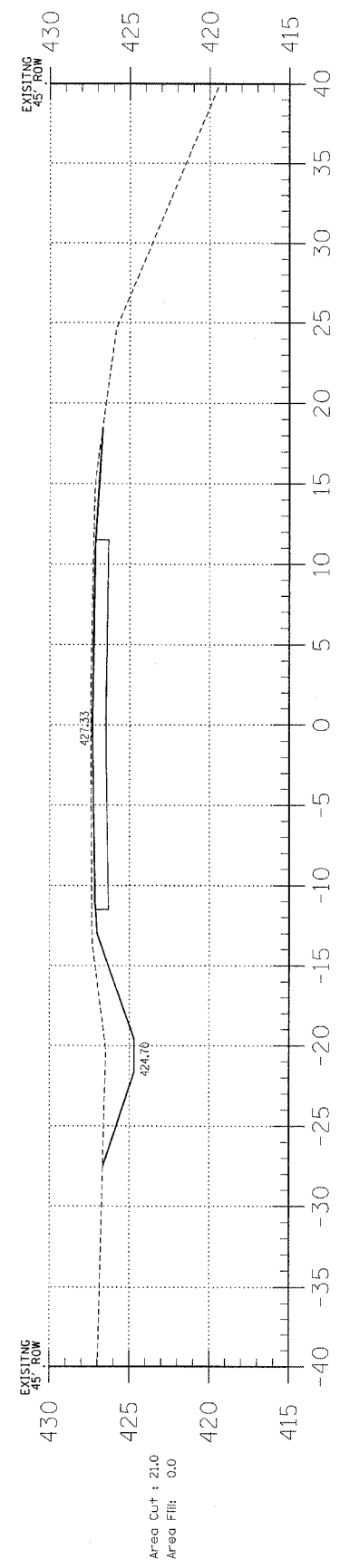
90+00



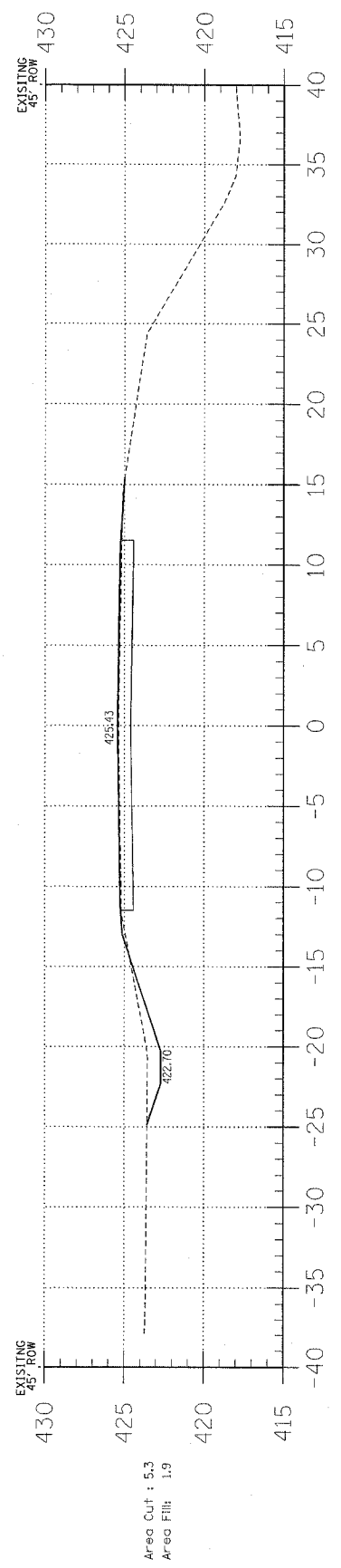
89+00



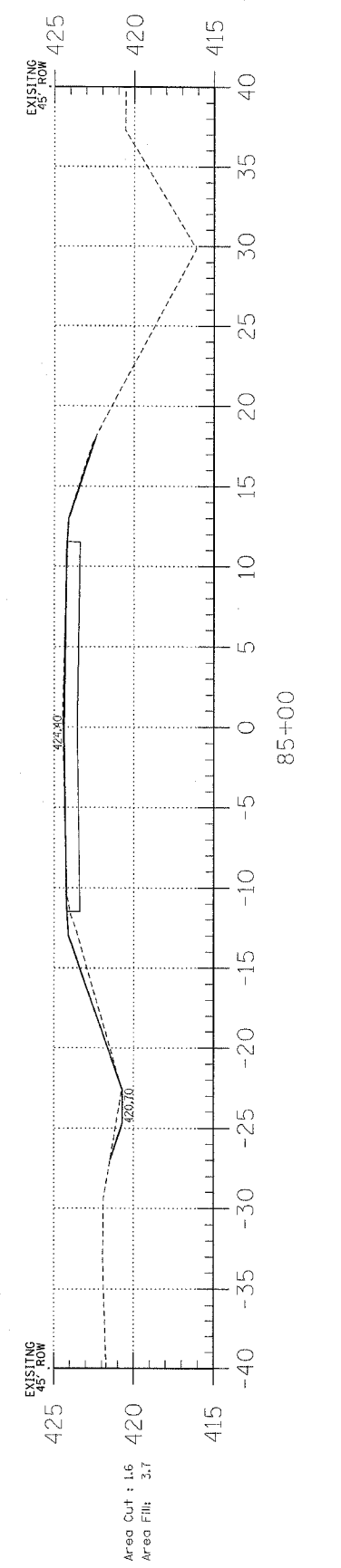
88+00



87+00



86+00



85+00

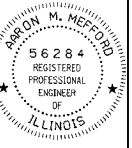
F.A.S.	SECTION	COUNTY	TOTAL SHEETS	SHEET NO.
881	05-00094-00-FP	HAMILTON	32	28
FED. ROAD DIST. NO. 9 ILLINOIS		CORNERVILLE ROAD		
PROJECT* RS-881(116)		CONTRACT* 99340		

323 W. 3RD. ST.
P.O. BOX 160
MT. CARMEL, IL
62863
PHONE:
(618)-262-8651
FAX:
(618)-263-3327

405 W. STATE ST.
SUITE 1
PRINCETON, IN
47670
PHONE:
(812)-386-7611
FAX:
(812)-385-2812



PROFESSIONAL DESIGN FIRM
LAND SURVEY &
PROFESSIONAL ENGINEERING CORPORATION
184-000887
(62-032435)(35-002769)



AARON M. MEFFORD
NAME
Aaron Mefford
SIGNATURE
3-17-09
DATE
11-30-09
EXPIRES

F.A.S. 881 (CH 6)
CORNERVILLE ROAD
SECTION 05-00094-00-FP
HAMILTON COUNTY, ILLINOIS

SHEET TITLE:
CROSS-SECTIONS

SCALE:	1" = 5'
BY:	AMM
DATE:	2/17/09
REV:	

28 OF 32 SHEETS

SHEET NO.
28

F.A.S.	SECTION	COUNTY	TOTAL SHEETS	SHEET NO.
881	05-00094-00-FP	HAMILTON	32	29
FED. ROAD DIST. NO. 9 ILLINOIS		CORNERVILLE ROAD		
PROJECT# RS-881(116)		CONTRACT# 99340		
LEC JOB # H061L022HM				

323 W. 3RD ST.
P.O. BOX 160
MT. CARMEL, IL
62863
PHONE:
(618)-262-8651
FAX:
(618)-263-3327

405 W. STATE ST
SUITE
PRINCETON, IN
47670
PHONE:
(812)-386-7611
FAX:
(812)-385-2612

PROFESSIONAL
DESIGN FIRM
LAND SURVEY &
PROFESSIONAL
ENGINEERING
CORPORATION
184-00087
(62-032435)(35-002769)



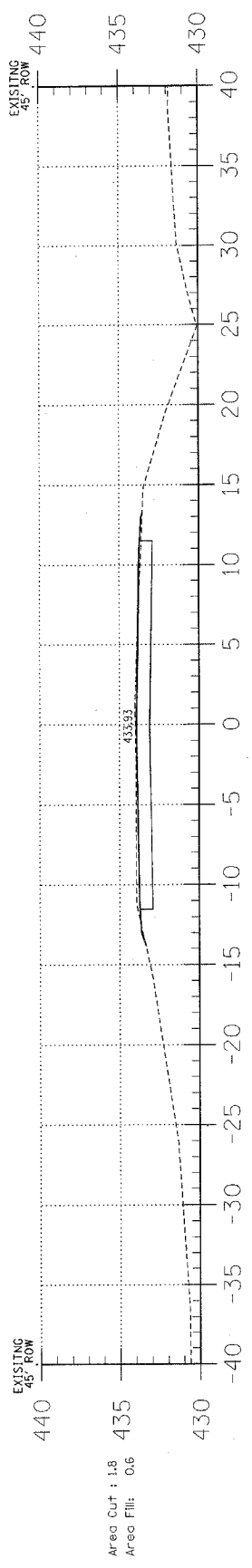
AARON M. MEFFORD
NAME
Aaron Mefford
SIGNATURE
3-17-09
DATE
11-30-09
EXPIRES

F.A.S. 881 (CH 6)
CORNERVILLE ROAD
SECTION 05-00094-00-FP
HAMILTON COUNTY, ILLINOIS

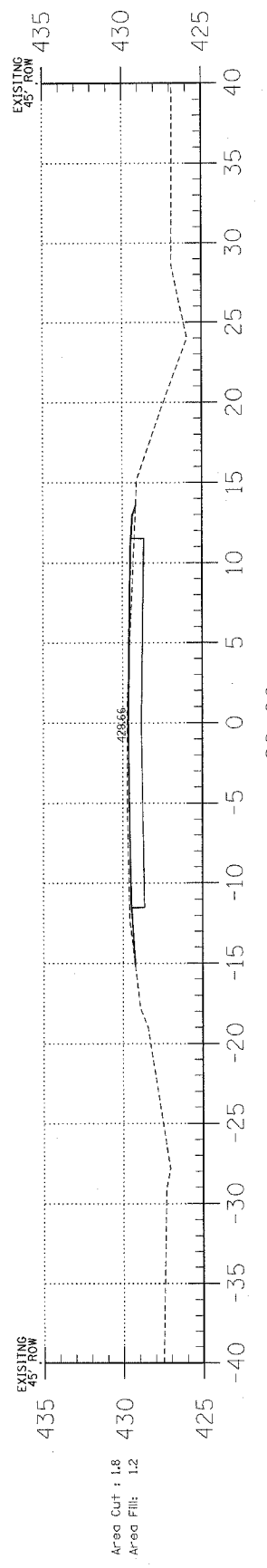
SHEET TITLE:
CROSS-SECTIONS

SCALE: 1" = 5'
BY: AMM
DATE: 2/09
REV:

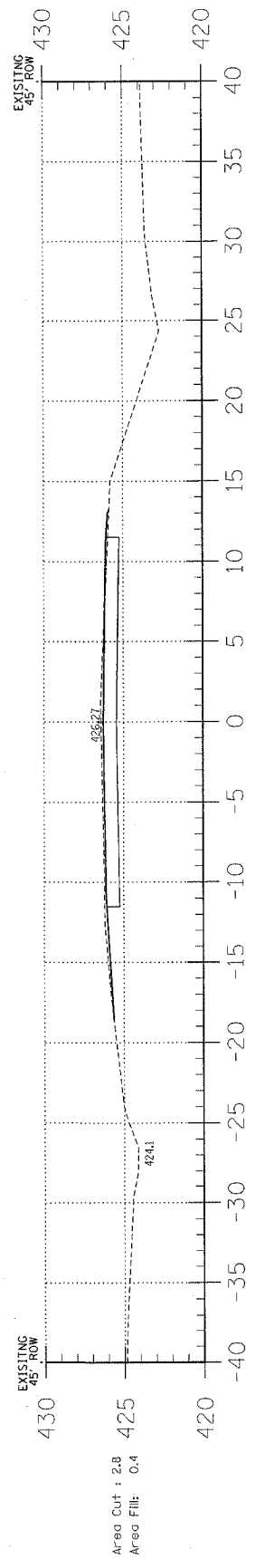
29 OF 32
SHEETS
SHEET NO.
29



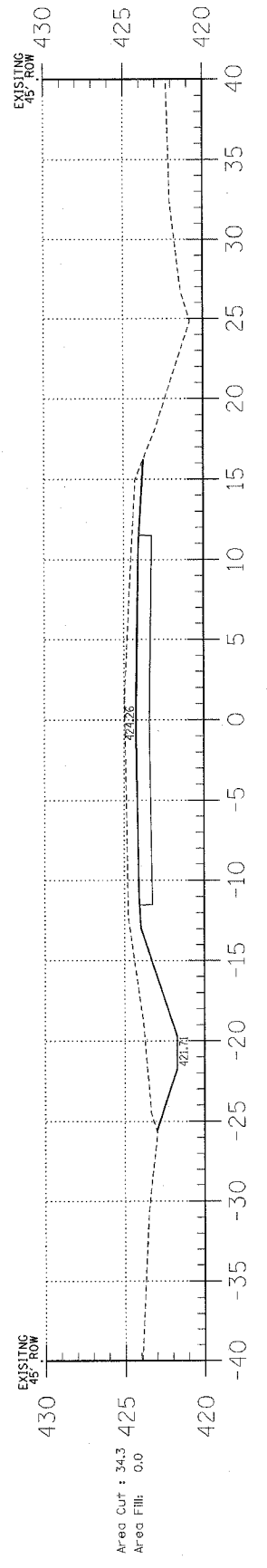
97+00



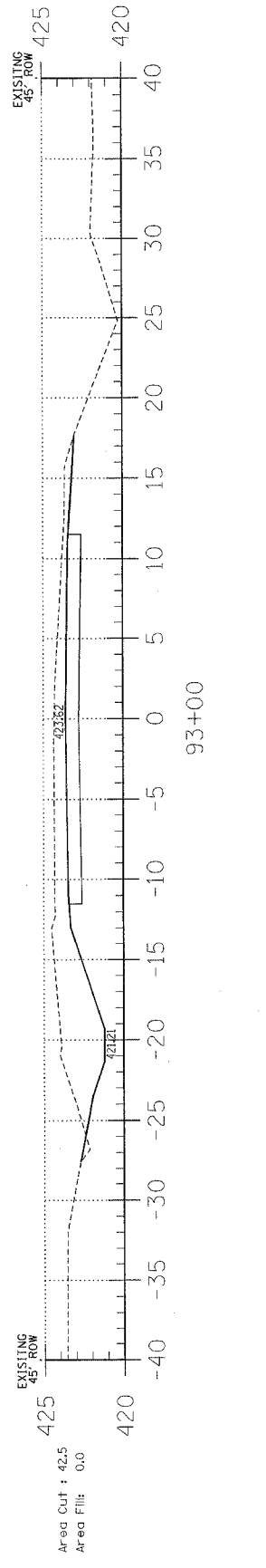
96+00



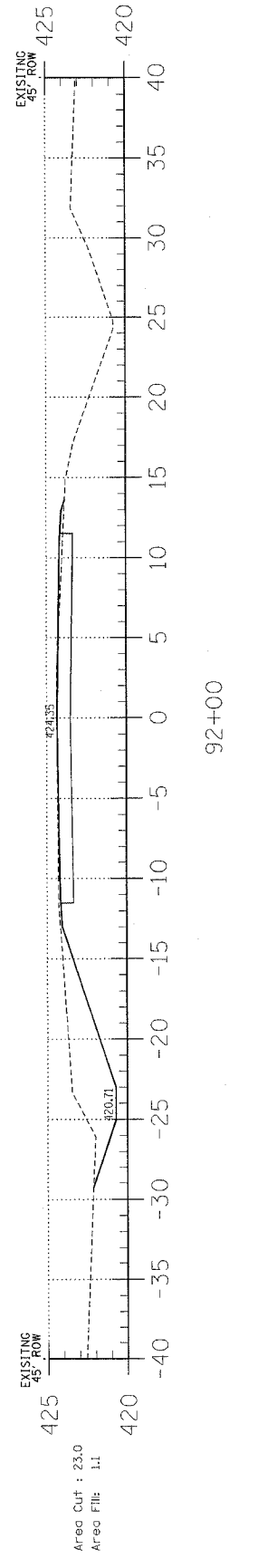
95+00



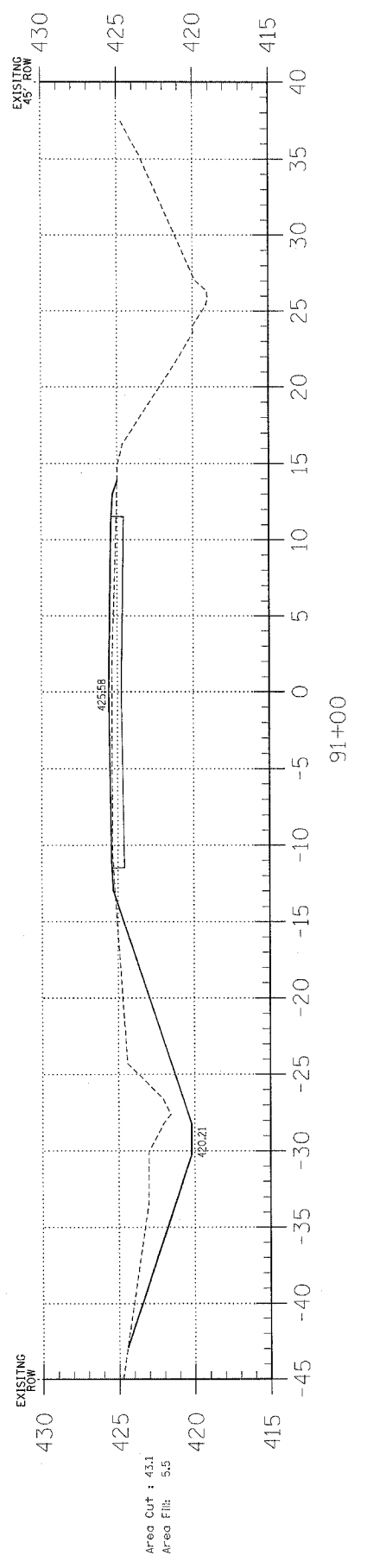
94+00



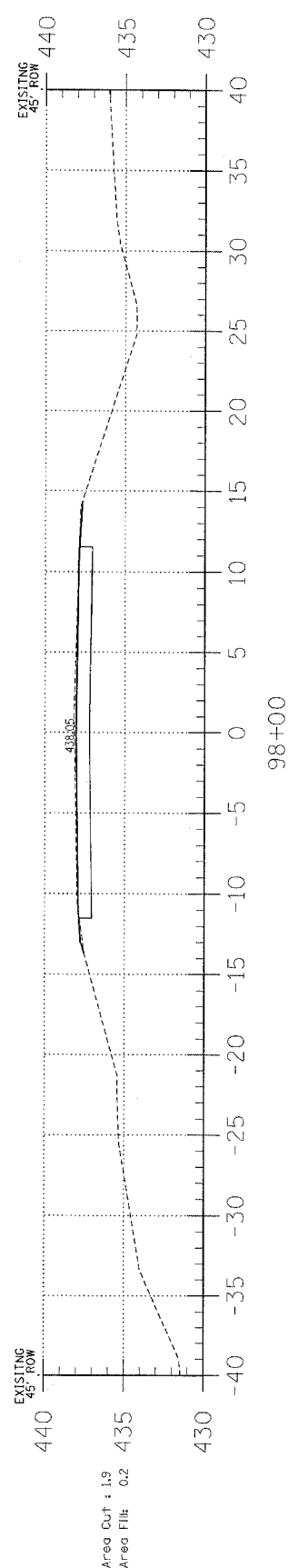
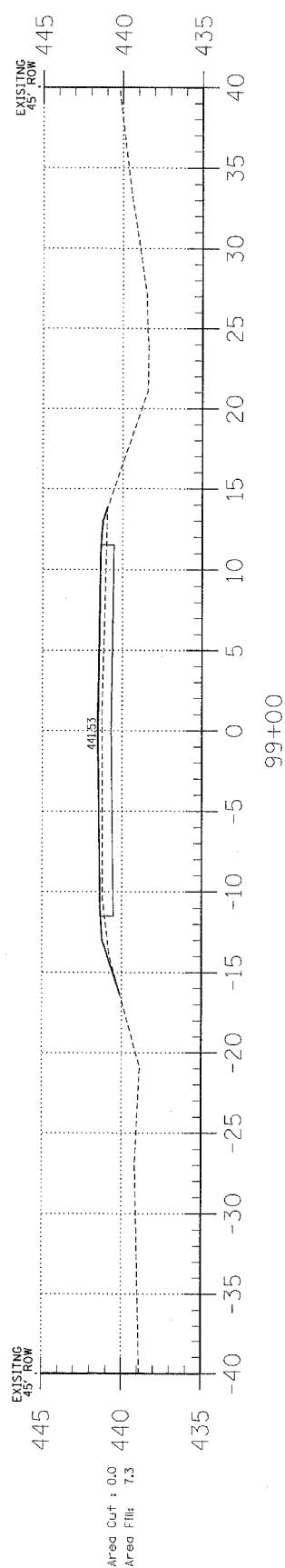
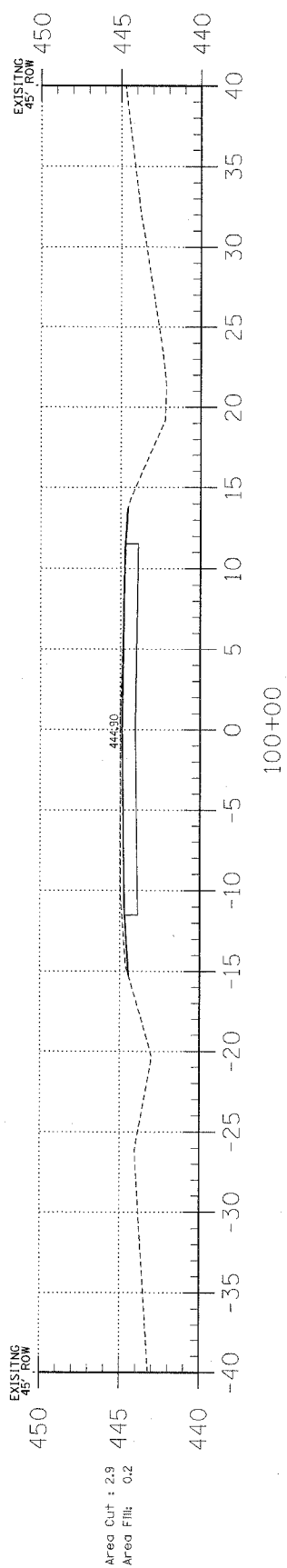
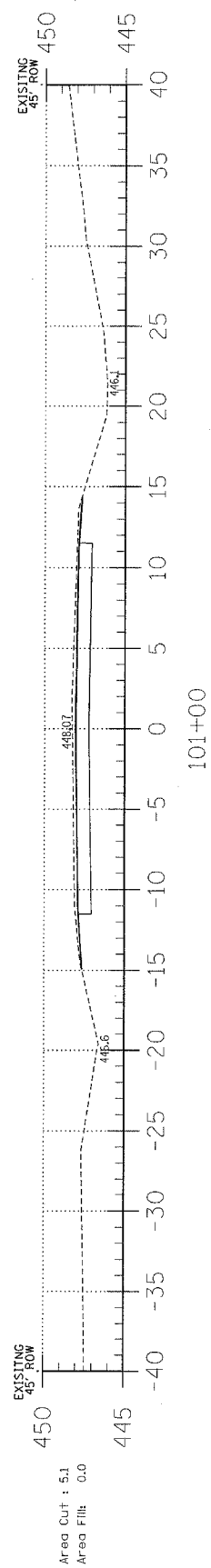
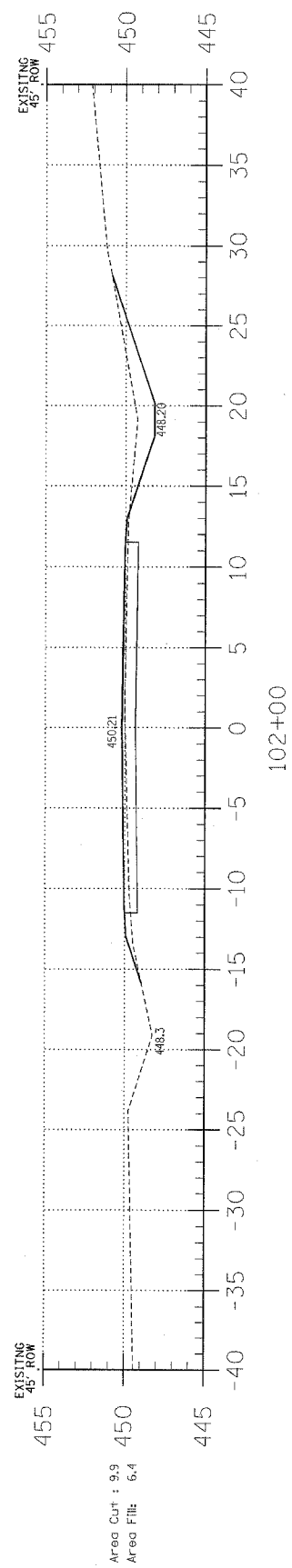
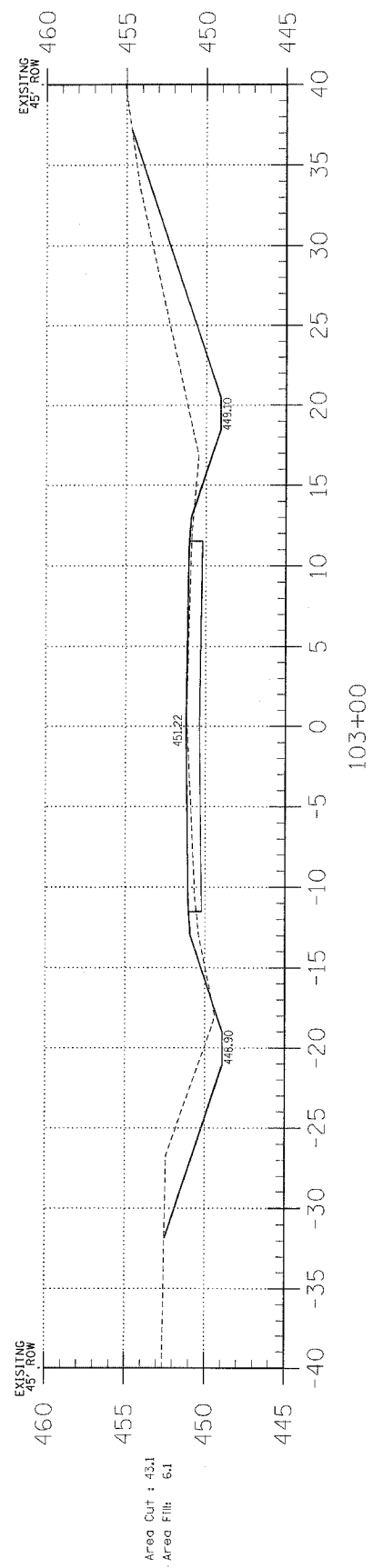
93+00



92+00



91+00

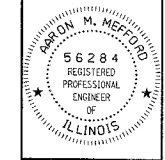


F.A.S.	SECTION	COUNTY	TOTAL SHEETS	SHEET NO.
881	05-00094-00-FP	HAMILTON	32	30
FED. ROAD DIST. NO. 9 ILLINOIS		CORNERVILLE ROAD		PHONE: (618)-262-8651
PROJECT # RS-881(116)		CONTRACT # 99340		FAX: (618)-263-3327
LEC JOB # H06L022M				

405 W. STATE ST
SUITE 1
PRINCETON, IN 47670
PHONE: (812)-386-7611
FAX: (812)-385-2812



PROFESSIONAL DESIGN FIRM
LAND SURVEY & PROFESSIONAL ENGINEERING CORPORATION
184-000887
(62-032435)(35-002769)



AARON M. MEFFORD
NAME
SIGNATURE
DATE: 3-17-09
EXPIRES

F.A.S. 881 (CH 6)
CORNERVILLE ROAD
SECTION 05-00094-00-FP
HAMILTON COUNTY, ILLINOIS

SHEET TITLE:
CROSS-SECTIONS

SCALE: 1" = 5'

BY: AMM
DATE: 3/09
REV:

30	OF	32
SHEETS		
SHEET NO. 30		

F.A.S.	SECTION	COUNTY	TOTAL SHEETS	SHEET NO.
881	05-00094-00-FP	HAMILTON	32	31
FED. ROAD DIST. NO. 9 ILLINOIS		CORNERVILLE ROAD		
PROJECT# RS-881(116)		CONTRACT# 99340		
LEC JOB # HD61022M				

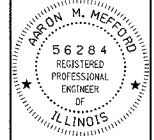
323 W. 3RD. ST.
P.O. BOX 160
MT. CARMEL, IL
62863
PHONE:
(618)-262-8651
FAX:
(618)-263-3327

405 W. STATE ST.
SUITE 1
PRINCETON, IN
47670

PHONE:
(812)-386-7611
FAX:
(812)-385-2812



PROFESSIONAL
DESIGN FIRM
LAND SURVEY &
PROFESSIONAL
ENGINEERING
CORPORATION
184-000887
(62-032435)(35-002769)



AARON M. MEFFORD
NAME
Aaron Mefford
SIGNATURE
3-17-09
DATE
11-30-09
EXPIRES

F.A.S. 881 (CH 6)
CORNERVILLE ROAD
SECTION 05-00094-00-FP
HAMILTON COUNTY, ILLINOIS

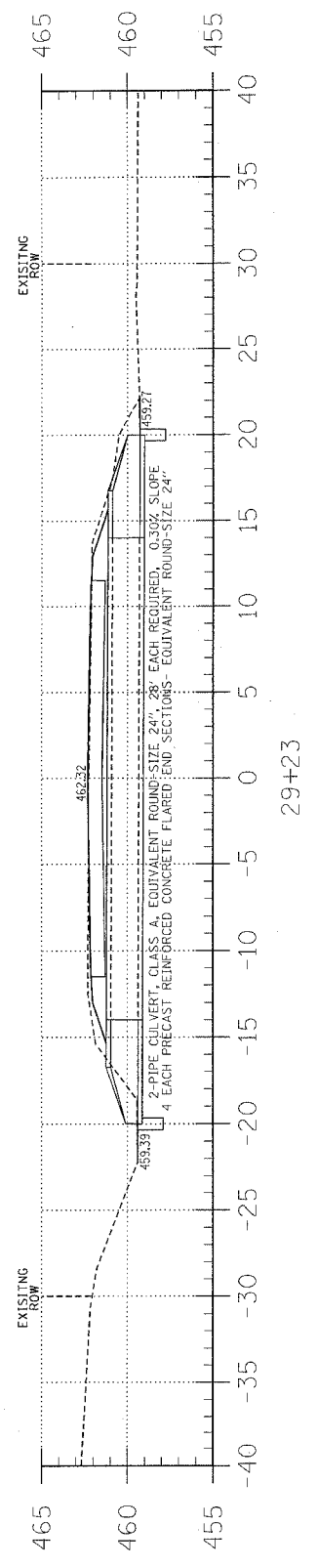
SHEET TITLE:

CROSS-SECTIONS

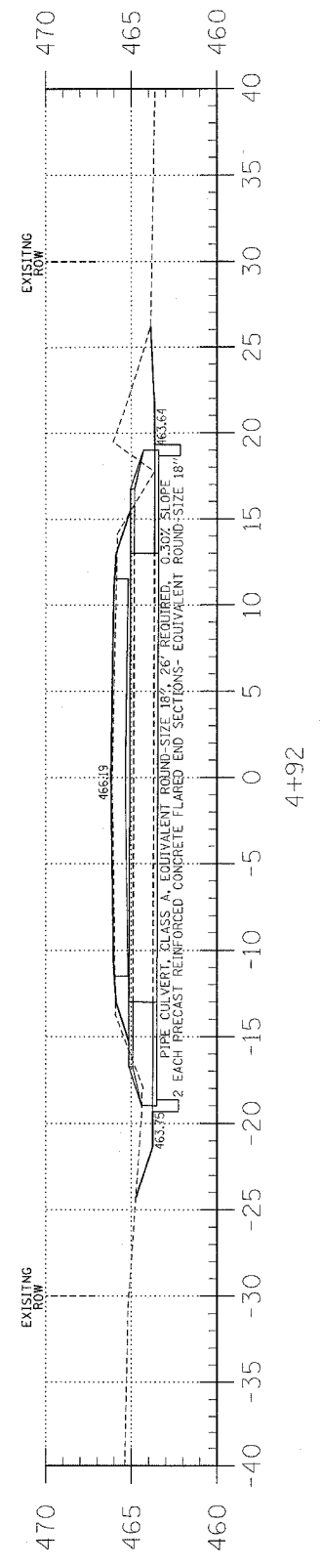
SCALE:	1" = 5'
BY:	AMM
DATE:	2/17/09
REV:	

31 OF 32
SHEETS

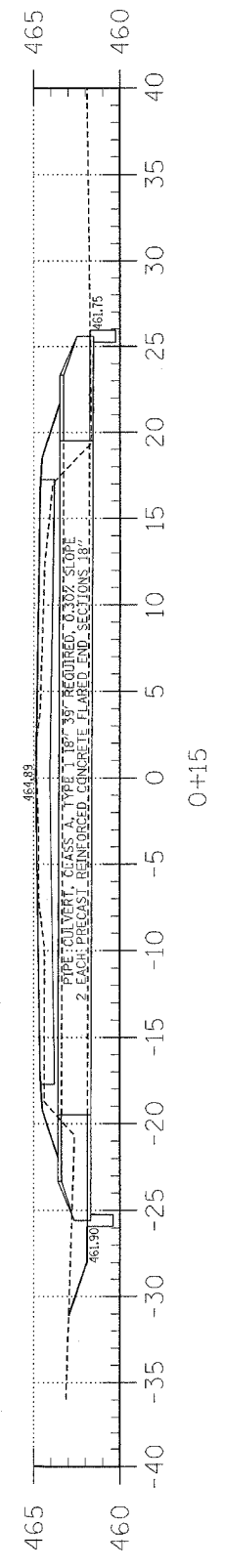
SHEET NO.
31



29+23

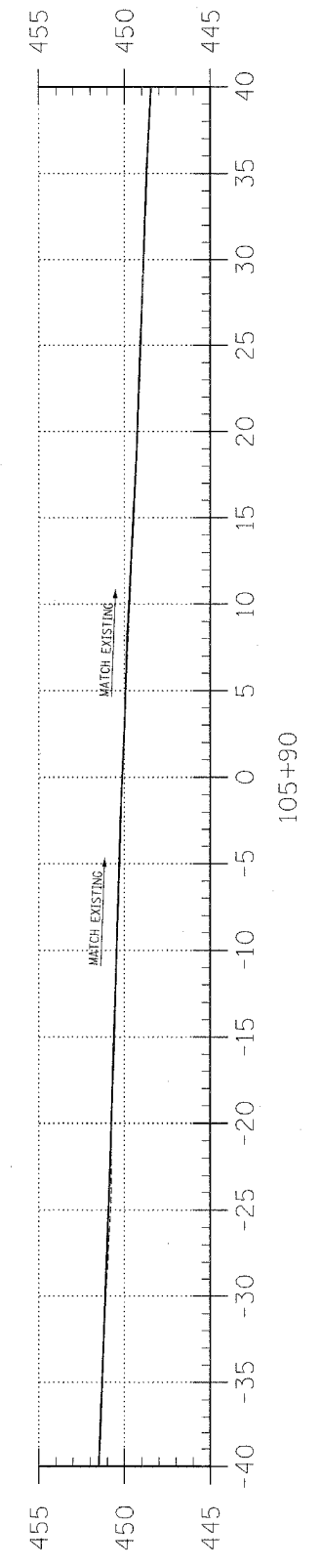


4+92



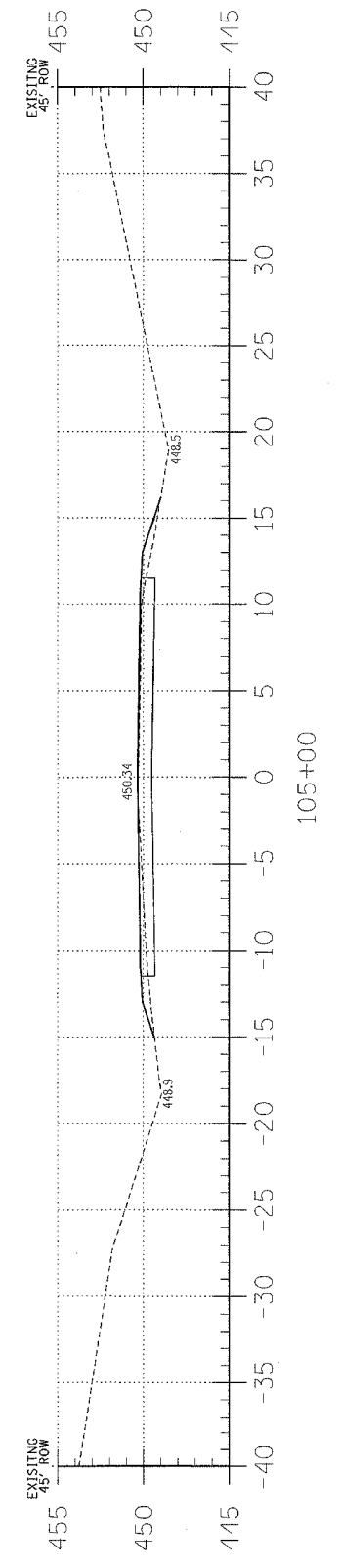
0+15

ACROSS ROAD PIPE CULVERTS



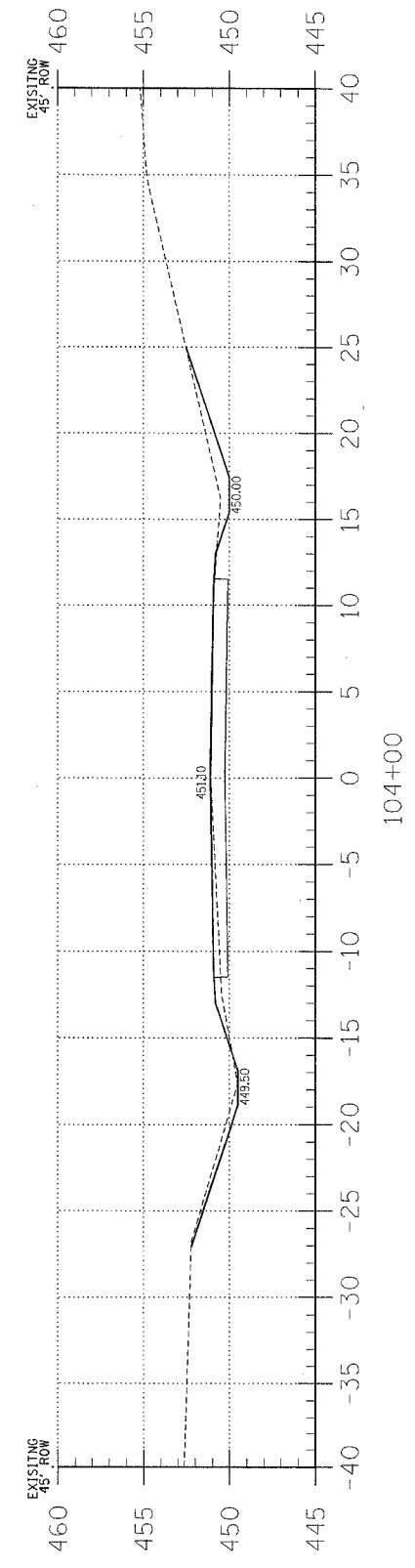
105+90

Area Cut : 0.0
Area Fill : 0.0



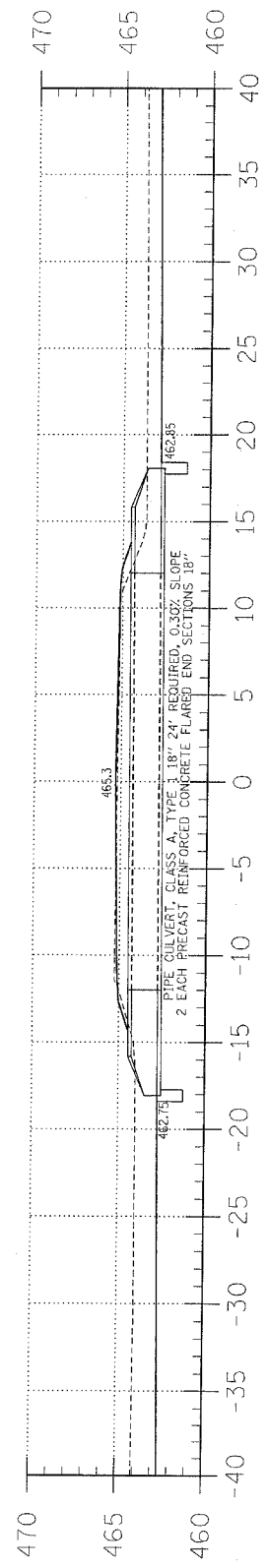
105+00

Area Cut : 0.0
Area Fill : 5.9

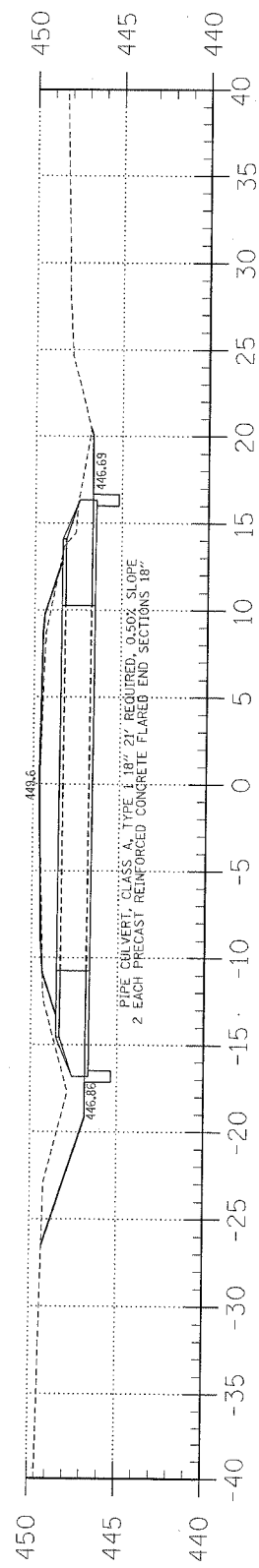


104+00

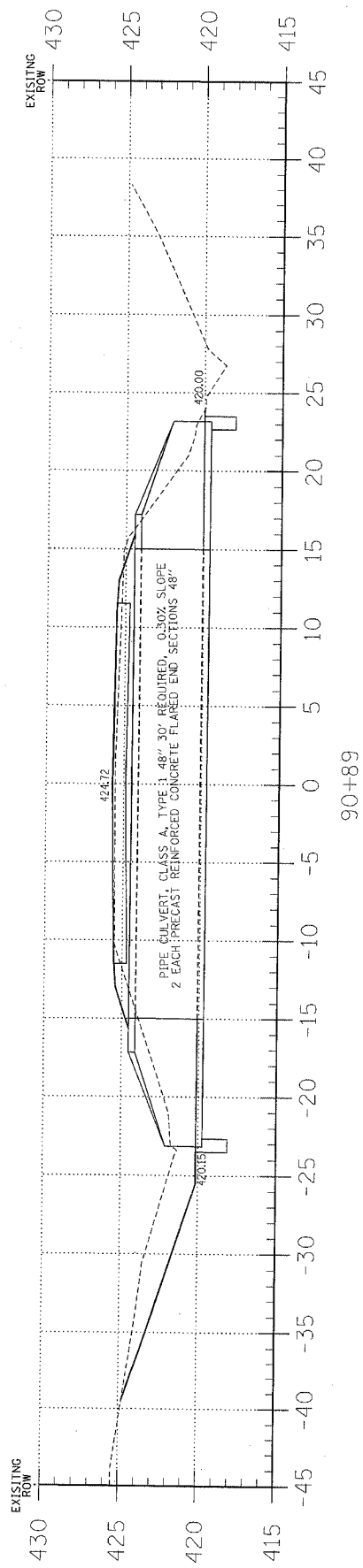
Area Cut : 7.0
Area Fill : 3.9



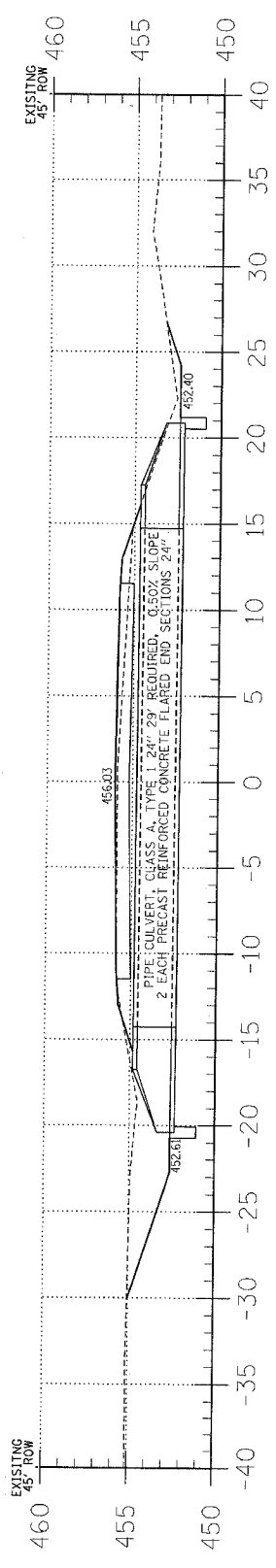
26+50 SIDEROAD



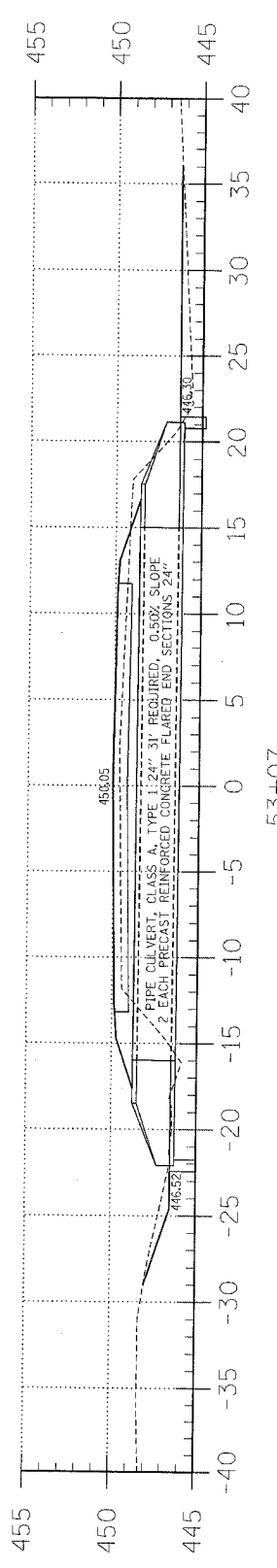
52+89 SIDEROAD



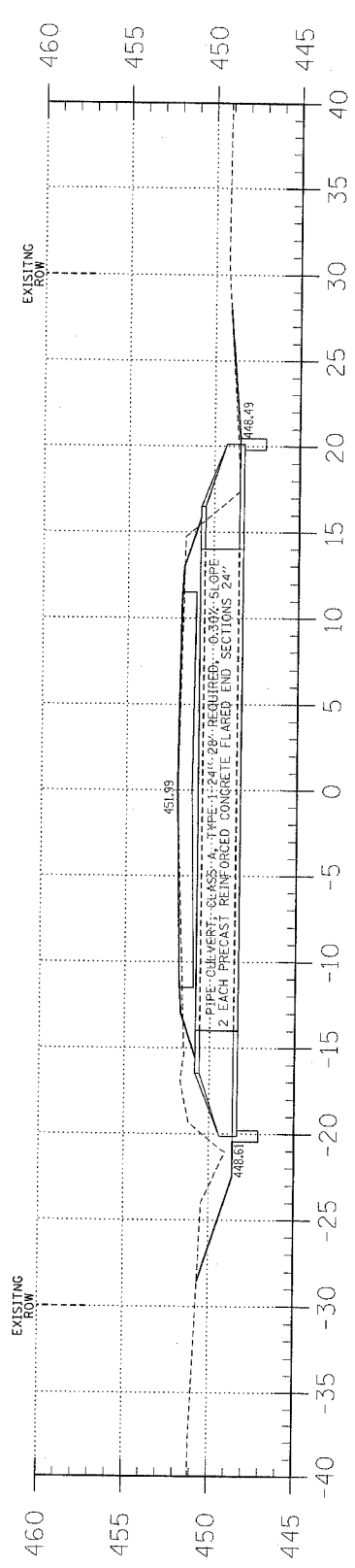
90+89



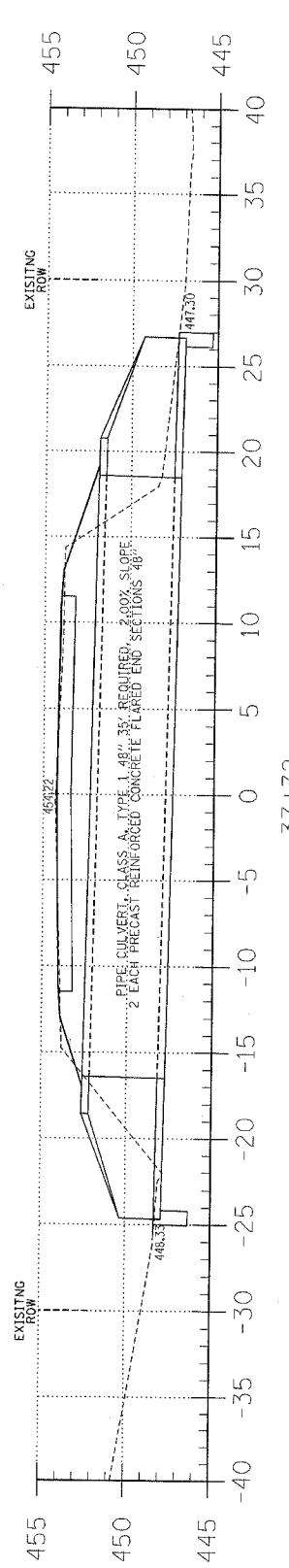
59+00



53+07



48+83

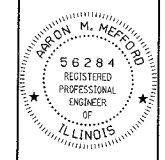


37+72

ACROSS ROAD PIPE CULVERTS

F.A.S.	SECTION	COUNTY	TOTAL SHEETS	SHEET NO.
881	05-00094-00-FP	HAMILTON	32	32
FED. ROAD DIST. NO. 9 ILLINOIS		CORNERVILLE ROAD		PROJECT# RS-881(116)
LEC JOB # H061022HM		CONTRACT# 99340		PHONE: (618)-262-8651
				FAX: (618)-263-3327

F.A.S. 881 (CH 6)
 CORNERVILLE ROAD
 SECTION 05-00094-00-FP
 HAMILTON COUNTY, ILLINOIS



AARON M. MEFFORD
 NAME
 Signature
 DATE: 3-17-09
 11-30-09 EXPIRES

SHEET TITLE:
 CROSS-SECTIONS

SCALE: 1" = 5'

BY: AMM
 DATE: 2/20/09
 REV:

32 OF 32 SHEETS

SHEET NO.
 32



PROFESSIONAL DESIGN FIRM
 LAND SURVEY & PROFESSIONAL ENGINEERING CORPORATION
 184-000887
 (62-032435)(35-002769)

405 W STATE ST
 SUITE 1
 PRINCETON, IN 47670
 PHONE: (812)-386-7611
 FAX: (812)-385-2812

323 W. 3RD ST.
 P.O. BOX 186
 MT. CARMEL, IL 62863