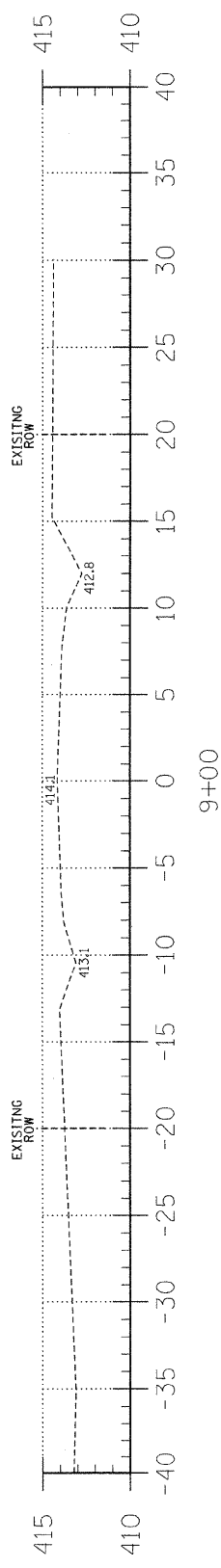
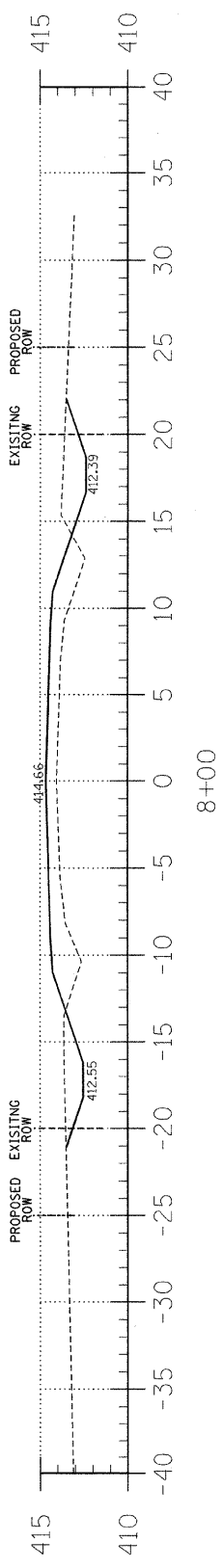


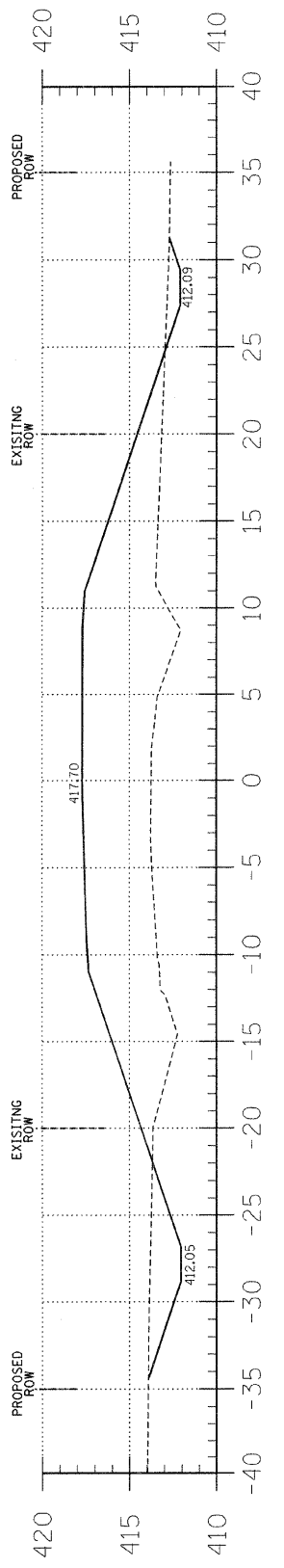
10+00



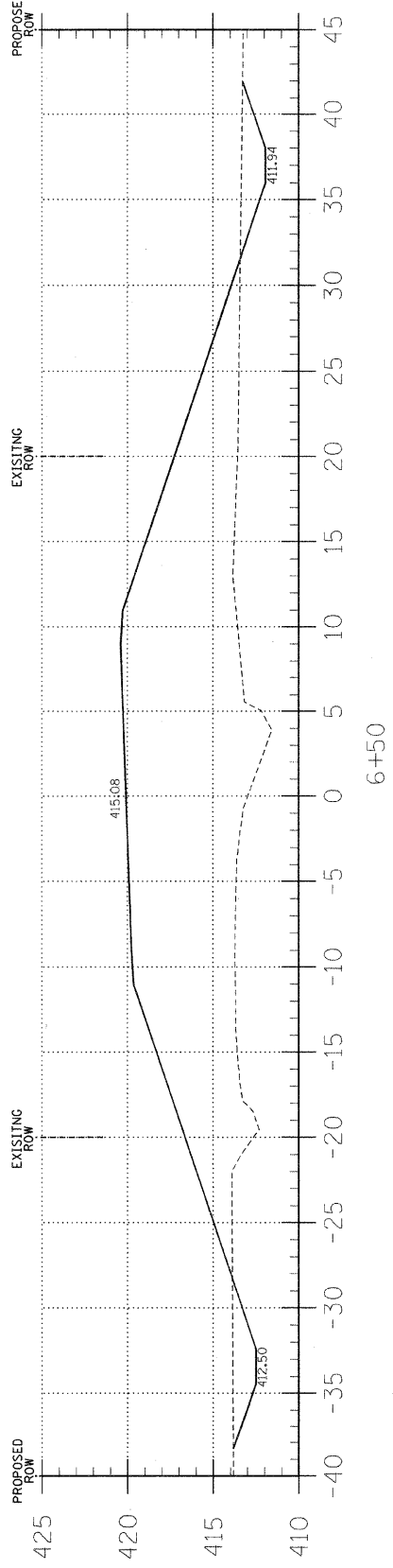
9+00



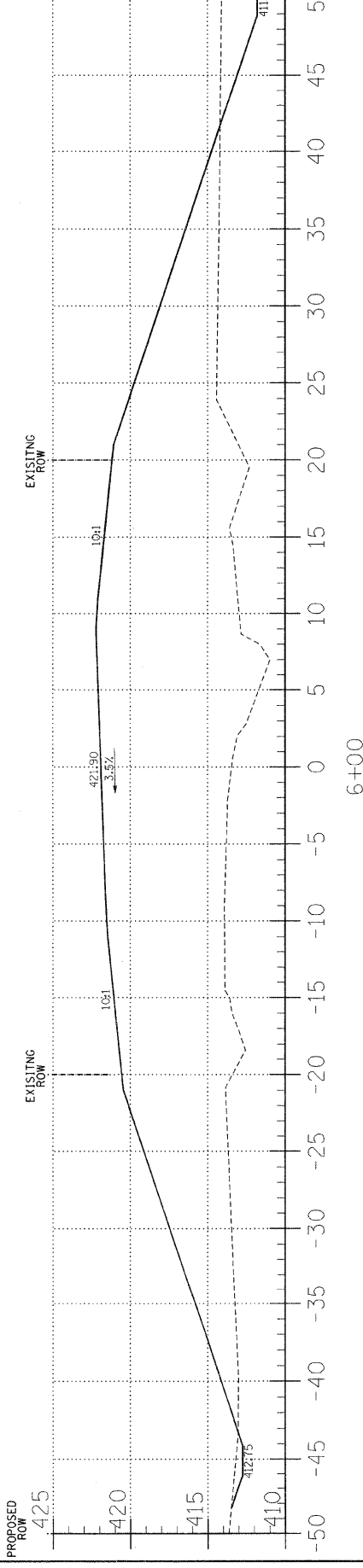
8+00



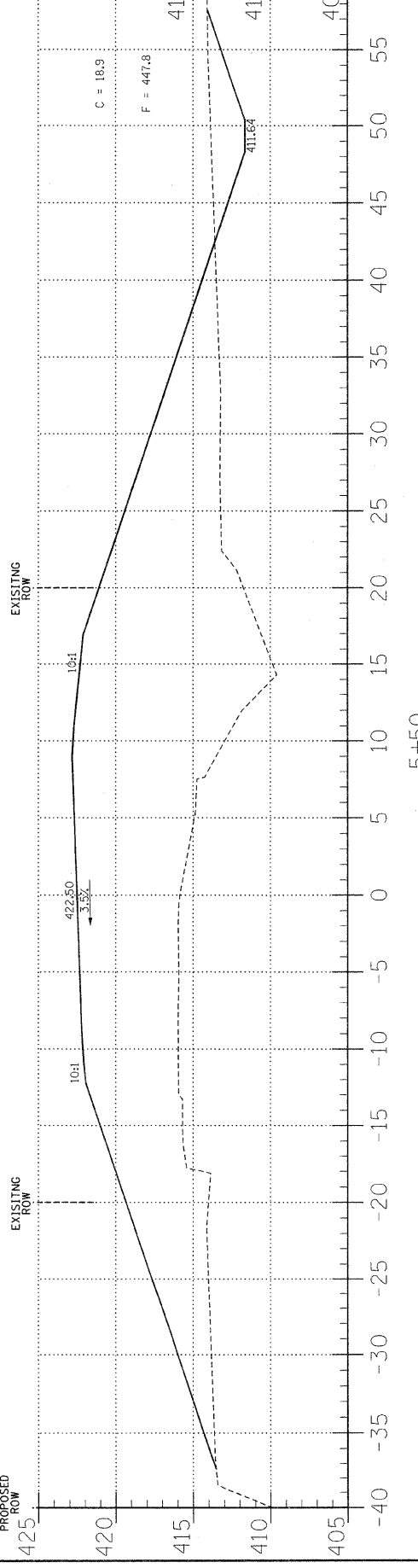
7+00



6+50



6+00



5+50

C = 12.1
F = 21.9

C = 15.7
F = 146.5

C = 16.7
F = 274.2

C = 22.1
F = 500.7

C = 18.9
F = 447.8

T.R.	SECTION	COUNTY	TOTAL SHEETS	SHEET NO.
200	07-08126-00-BR	HAMILTON	13	4
FED. ROAD DIST. NO. 9 ILLINOIS		FED. AID PROJECT		PHONE: (618)-262-8651
PROJECT# BROS-065105P		CONTRACT# 99356		FAX: (618)-263-3327
JOB NO. C-99-525-08		TEN MILE CREEK		LEC JOB # H081016HM

323 W. 3RD ST.
P.O. BOX 160
MT. CARMEL, IL
62863

405 W. STATE ST.
SUITE 1
PRINCETON, IN
47670



PROFESSIONAL DESIGN FIRM
LAND SURVEY & PROFESSIONAL ENGINEERING CORPORATION
184-000887
(82-032435)(35-002769)



AARON M. MEFFORD
NAME
SIGNATURE
DATE
1-20-09
11-30-09 EXPIRES

TOWNSHIP ROUTE 200
OVER TEN MILE CREEK
HAMILTON COUNTY, ILLINOIS

SHEET TITLE:

CROSS-SECTIONS

SCALE: 1" = 5'
BY: AMM
DATE: 10/09
REV:

4 OF 13 SHEETS

SHEET NO. 4