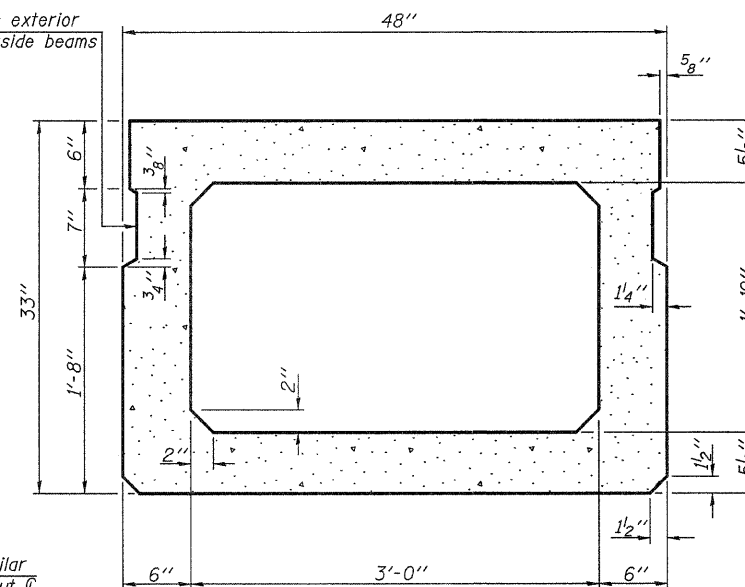
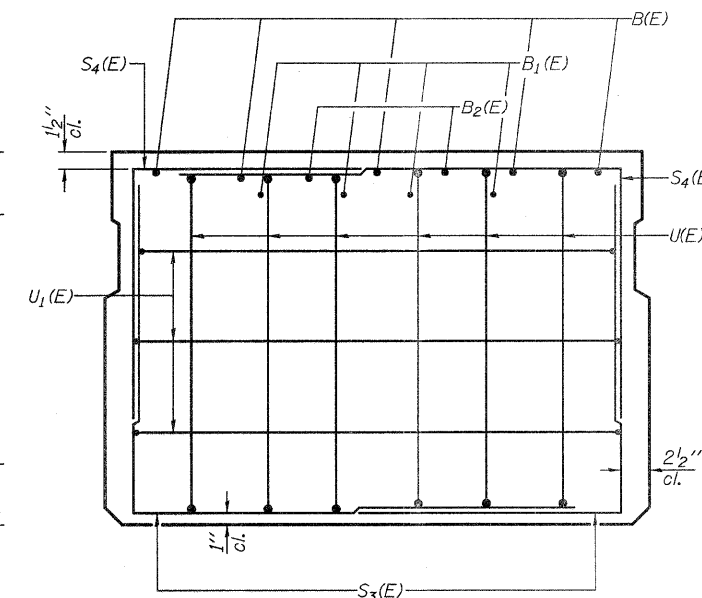


SECTION C-C

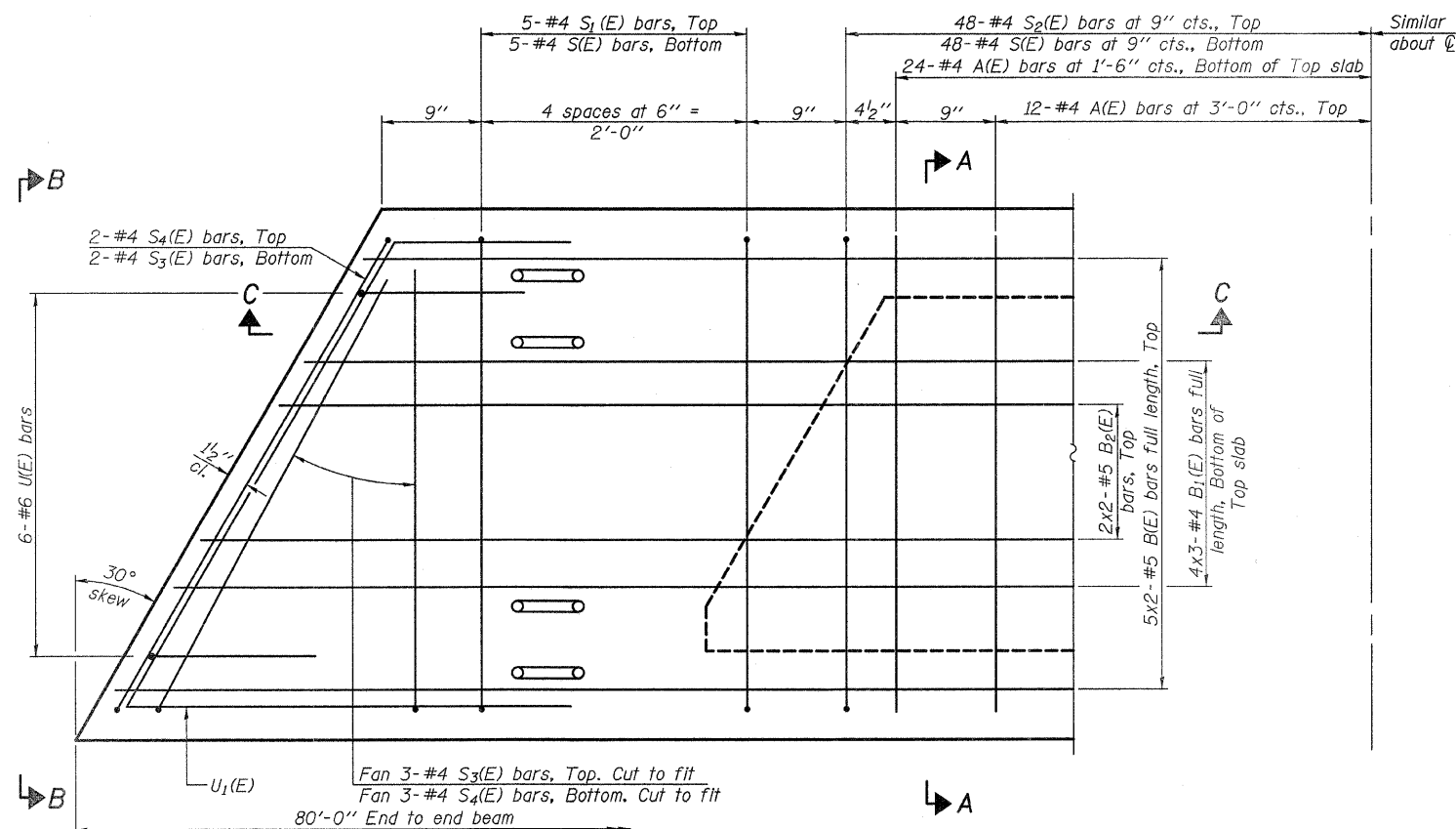
Omit key on exterior face of outside beams



SECTION A-A
(Showing dimensions)

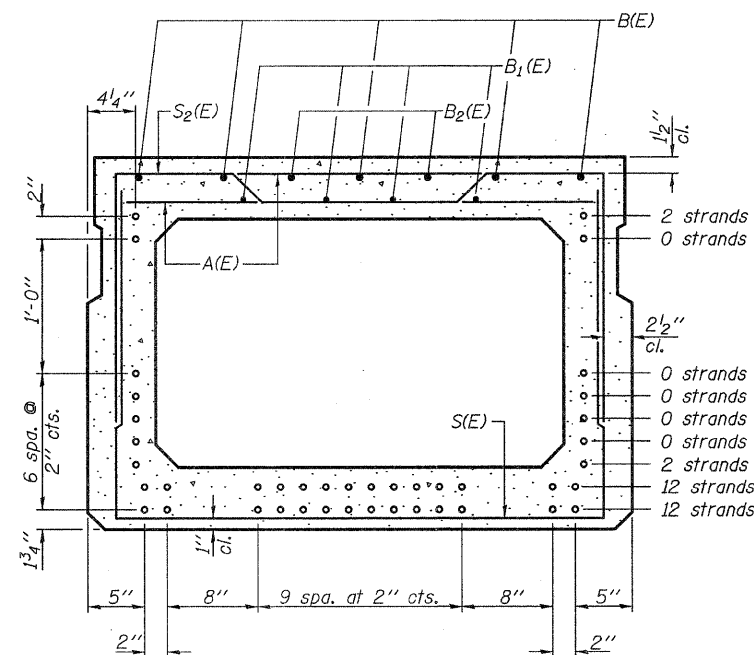


VIEW B-B



PLAN VIEW

Note: Spacing of S(E) and S2(E) bars may be adjusted up to 4" in the immediate area of the transverse tie diaphragms to miss the block outs for the transverse ties.



SECTION A-A

(Showing reinforcement and permissible strand locations)

Note: Place the number of strands specified in each row symmetrically about the centerline of beam in the permissible strand locations shown.

BAR LIST
ONE BEAM ONLY
(For information only)

Bar	No.	Size	Length	Shape
A(E)	72	#4	3'-7"	—
B(E)	10	#5	40'-11"	—
B1(E)	12	#4	27'-8"	—
B2(E)	4	#5	40'-11"	—
S(E)	106	#4	8'-5"	┘
S1(E)	10	#4	7'-3"	┘
S2(E)	96	#4	7'-6"	┘
S3(E)	10	#4	5'-5"	┘
S4(E)	10	#4	4'-10"	┘
U(E)	12	#6	5'-0"	┘
U1(E)	6	#4	8'-7"	┘

Note: See sheets 3 & 4 of 9 for additional details and Bill of Material.

Note: 36" width is allowable replacement section.

SUPERSTRUCTURE
33" X 48" PPC DECK BEAM
STRUCTURE NO. 033-3308

DESIGNED - S.M.S
CHECKED - S.W.M.
DRAWN - D.A.B.
CHECKED - D.T.M.

PD-3348-L 5-16-08

HAMPTON, LENZINI & RENWICK, INC.
CIVIL & STRUCTURAL ENGINEERS
LAND SURVEYORS

3085 STEVENSON DRIVE, SUITE 201
SPRINGFIELD, ILLINOIS 62703
(217) 546-3400

PROJECT NUMBER: 08.0103.130 DATE: 01/21/09

SHEET NO. 2

9 SHEETS

T.R.	SECTION	COUNTY	TOTAL SHEETS	SHEET NO.
200	07-08126-00-BR	HAMILTON	13	6
McLEANSBORO ROAD DISTRICT		CONTRACT NO. 99356		
FED. ROAD DIST. NO.	ILLINOIS	FED. AID PROJECT BR05-065(056)		