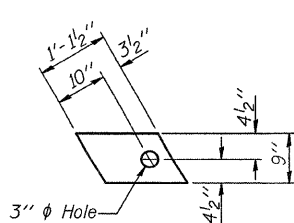


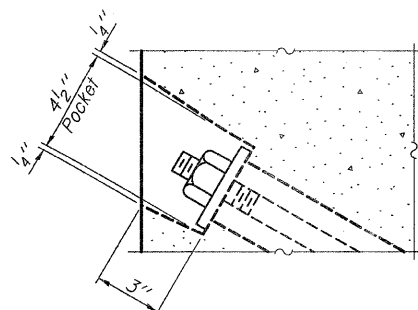
FABRIC BEARING PAD
(Interior - 10 Req'd)



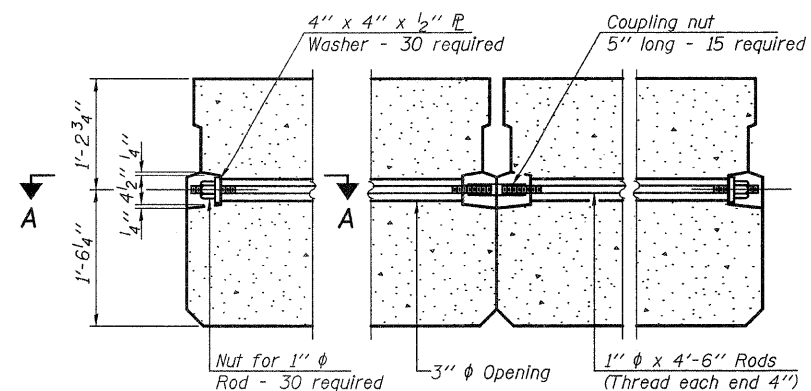
FABRIC BEARING PAD
(Exterior - 4 Req'd)

FIXED

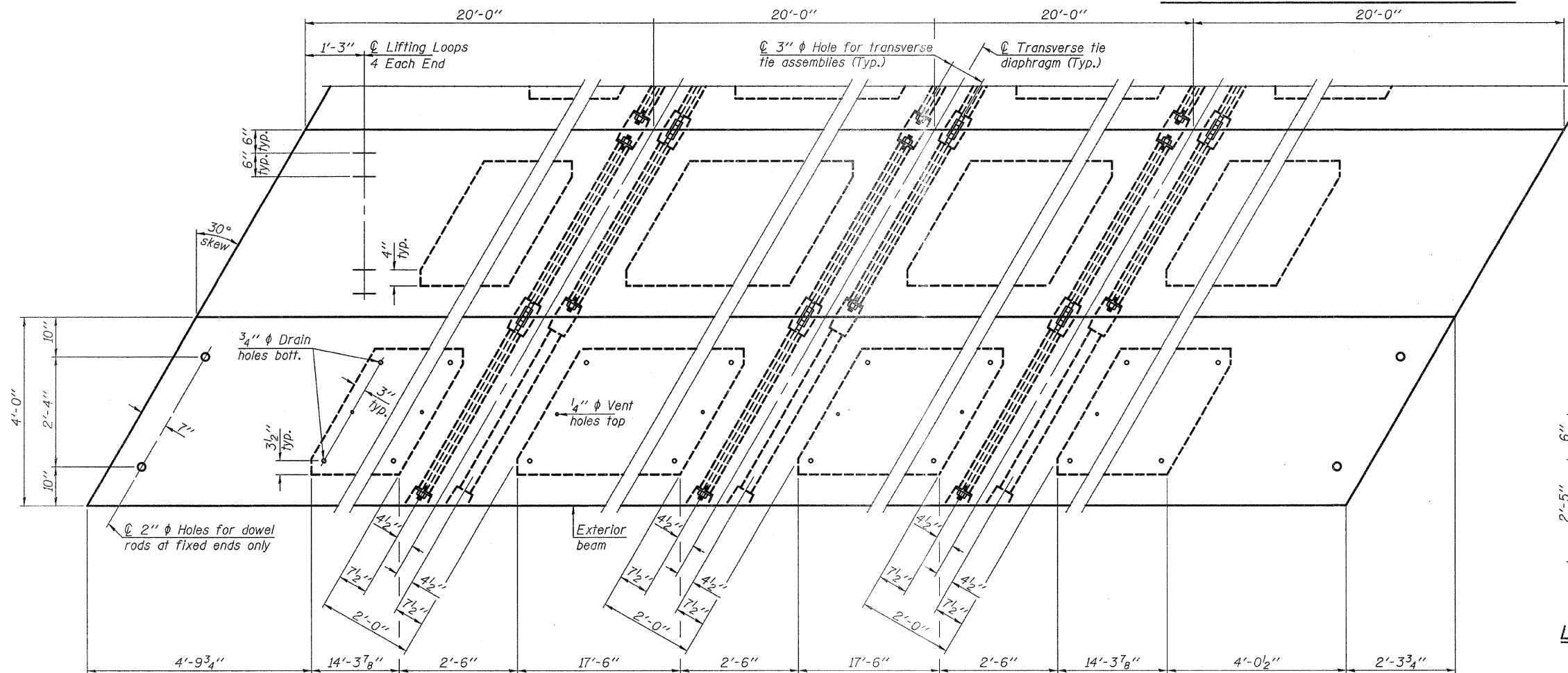
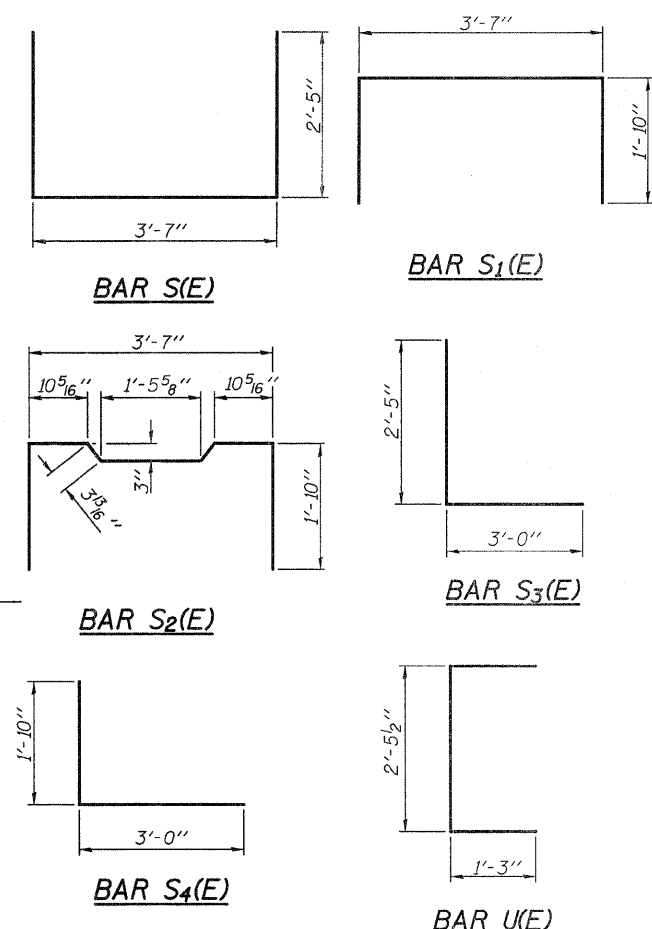
Note: Omit holes when using expansion bearings.



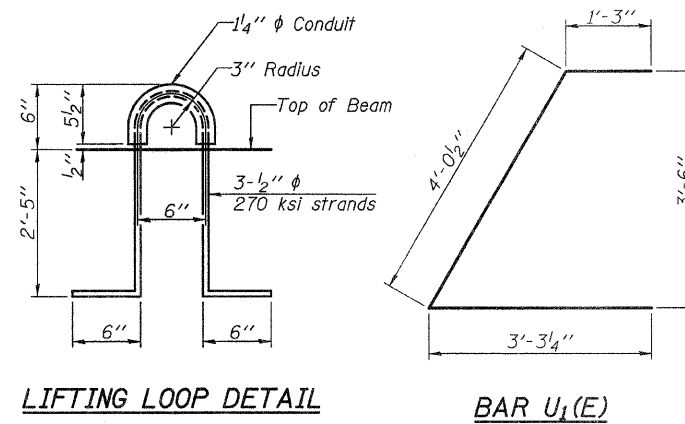
SECTION A-A



TYPICAL TRANSVERSE TIE ASSEMBLY



PLAN VIEW



LIFTING LOOP DETAIL

BILL OF MATERIAL

Precast Prestressed Conc. Deck Bms. (33" depth)	Sq. Ft. 1,920
---	---------------

SUPERSTRUCTURE DETAILS
33" X 48" PPC DECK BEAM DETAILS
STRUCTURE NO. 033-3308

SHEET NO. 3 9 SHEETS	T.R.	SECTION	COUNTY	TOTAL SHEETS	SHEET NO.
	200	07-08126-00-BR	HAMILTON	13	7
McLEANSBORO ROAD DISTRICT			CONTRACT NO. 99356		
FED. ROAD DIST. NO.		ILLINOIS FED. AID PROJECT BROS-065(050)			

NOTES

Prestressing steel shall be uncoated high strength, low relaxation 7-wire strand, Grade 270. The nominal diameter shall be 1/2" and the nominal cross-sectional area shall be 0.153 sq. in. The 1" rods in the transverse tie assembly shall be tightened to a snug fit and the threads set. Pockets on exterior faces of bridge shall be filled with grout after transverse tie assembly is in place. Reinforcement bars shall conform to ASTM A 706, Grade 60. (See Special Provisions). Two 1/8" fabric adjusting shims of the dimensions of the exterior bearing pad shall be provided for each bearing pad location. A minimum 2 1/2" diameter lifting pin shall be used to engage the lifting loops during handling. Corrosion Inhibitor, per Article 1020.05(b)(12) and 1021.06 of the Standard Specifications, shall be used in the concrete for precast prestressed concrete deck beams. Compressive strength of prestressed concrete, f'c, shall be 6000 psi. Compressive strength of prestressed concrete at release, f'ci, shall be 5000 psi.

Note: Connect beams in pairs with the transverse tie configuration shown.

DESIGNED - S.M.S
CHECKED - S.W.M.
DRAWN - D.A.B.
CHECKED - D.T.M.

PD-3348-LD 5-16-08

HAMPTON, LENZINI & RENWICK, INC.
CIVIL & STRUCTURAL ENGINEERS
LAND SURVEYORS

HLR 3085 STEVENSON DRIVE, SUITE 201
SPRINGFIELD, ILLINOIS 62703
(217) 548-3400

PROJECT NUMBER: 08.0103.130 DATE: 01/21/09