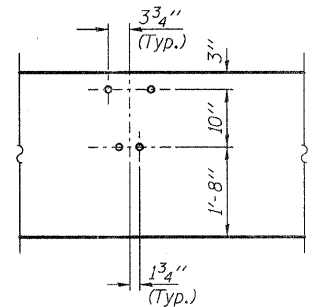
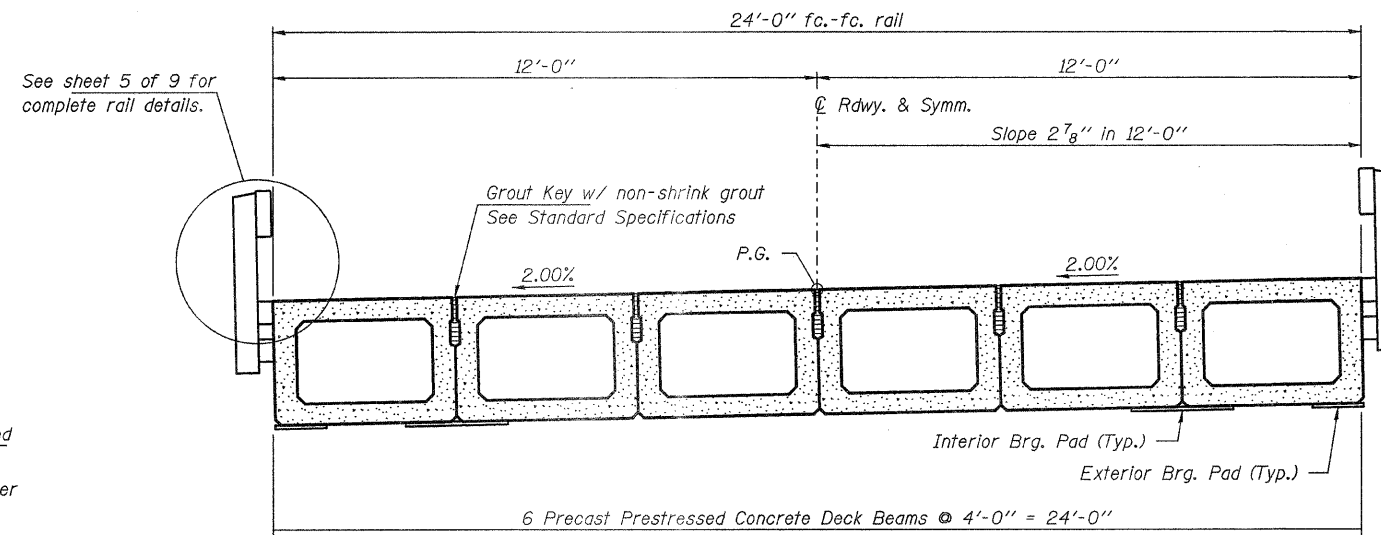


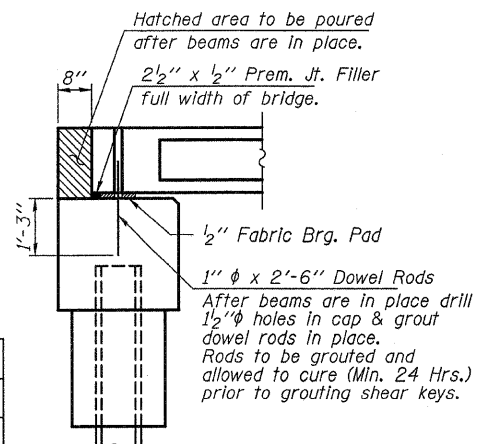
**ELEVATION**  
Showing Rail Post Spaces  
See sheet 5 of 9 for Railing Details.



**DETAIL A**



**CROSS SECTION**  
(Looking North)  
See sheets 2 & 3 of 9 for Superstructure.



**SECTION AT ABUTMENTS**

© Rt. L's

DESIGNED -	S.M.S
CHECKED -	S.W.M.
DRAWN -	D.A.B.
CHECKED -	D.T.M.

**SUPERSTRUCTURE DETAILS**  
**STRUCTURE NO. 033-3308**

<b>HAMPTON, LENZINI &amp; RENWICK, INC.</b> CIVIL & STRUCTURAL ENGINEERS LAND SURVEYORS 3085 STEVENSON DRIVE, SUITE 201 SPRINGFIELD, ILLINOIS 62703 (217) 548-3400 PROJECT NUMBER: 08.0103.130    DATE: 01/21/09	SHEET NO. 4	T.R.	SECTION	COUNTY	TOTAL SHEETS	SHEET NO.
	9 SHEETS	200	07-08126-00-BR	HAMILTON	13	8
			McLEANSBORO ROAD DISTRICT	CONTRACT NO. 99356		
			FED. ROAD DIST. NO.	ILLINOIS	FED. AID PROJECT BR05-065(050)	