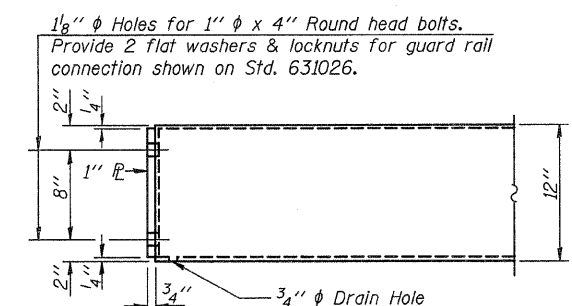
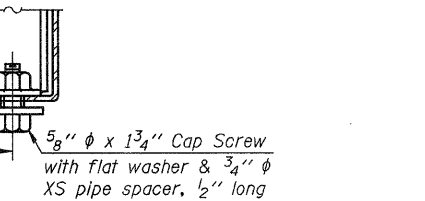
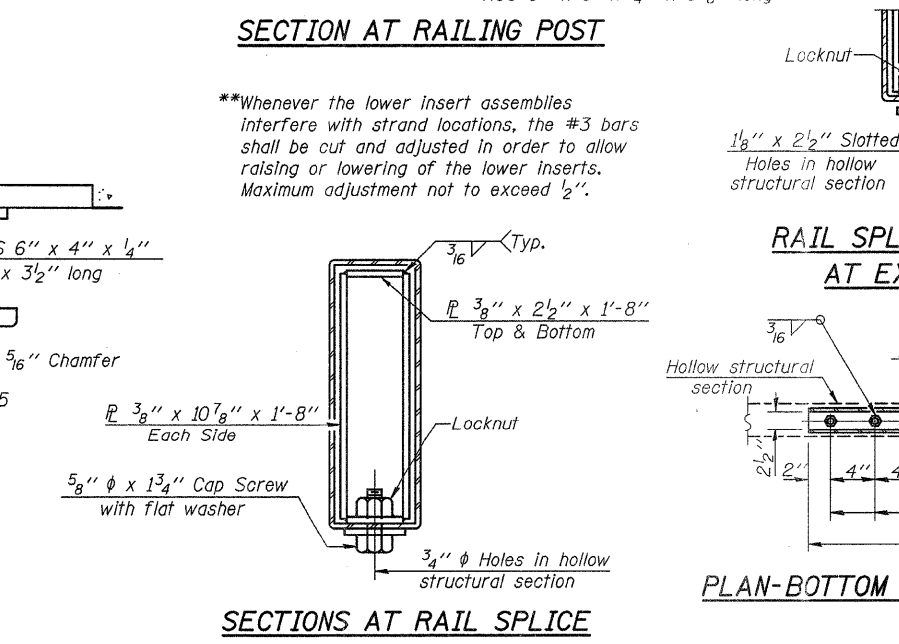
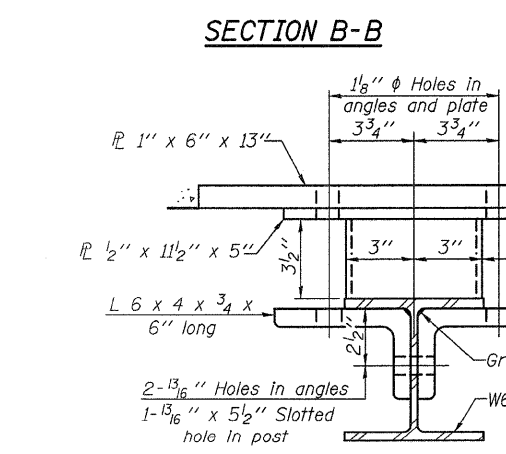
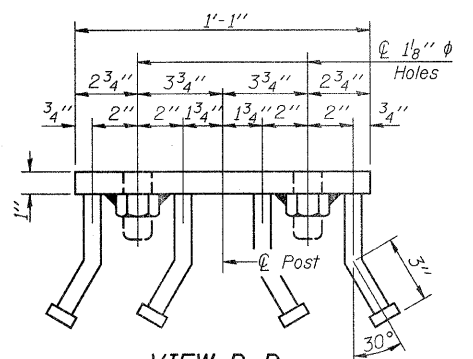


Notes:
 All field drilled holes shall be coated with an approved zinc rich paint before erection.
 For multi-span bridges, sufficient 1/4 inch x 6 inch x 1-2 inch galvanized steel shims shall be provided to align rail between adjacent spans.
 Cast included with Steel Railing, Type S-1.
 All steel rail elements shall be galvanized according to Article 509.05 of the Standard Specifications.
 ***The studs of the anchor devices shall be placed below the top reinforcement bars and the outermost longitudinal reinforcement bar shall be placed directly above the studs of the rail post anchor device.



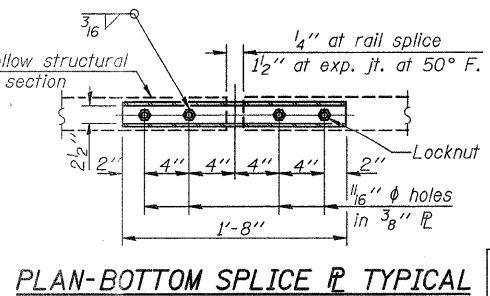
BILL OF MATERIAL

Item	Unit	Quantity
Steel Railing, Type S-1	Foot	161

DESIGNED - S.M.S
 CHECKED - S.W.M.
 DRAWN - D.A.B.
 CHECKED - D.T.M.

SECTION C-C

RAIL SPLICE CONNECTION AT EXPANSION JT.



PLAN-BOTTOM SPLICE R TYPICAL

END OF RAIL DETAILS

STEEL RAILING, TYPE S-1
 STRUCTURE NO. 033-3308

HAMPTON, LENZINI & RENWICK, INC. CIVIL & STRUCTURAL ENGINEERS LAND SURVEYORS HLR 3085 STEVENSON DRIVE, SUITE 201 SPRINGFIELD, ILLINOIS 62703 (217) 548-3400 PROJECT NUMBER: 08.0103.130 DATE: 01/21/09	SHEET NO. 5	T.R.	SECTION	COUNTY	TOTAL SHEETS	SHEET NO.
	9 SHEETS	200	07-08126-00-BR	HAMILTON	13	9
		McLEANSBORO ROAD DISTRICT		CONTRACT NO. 99356		
		FED. ROAD DIST. NO.	ILLINOIS FED. AID PROJECT BROS-065(05c)			