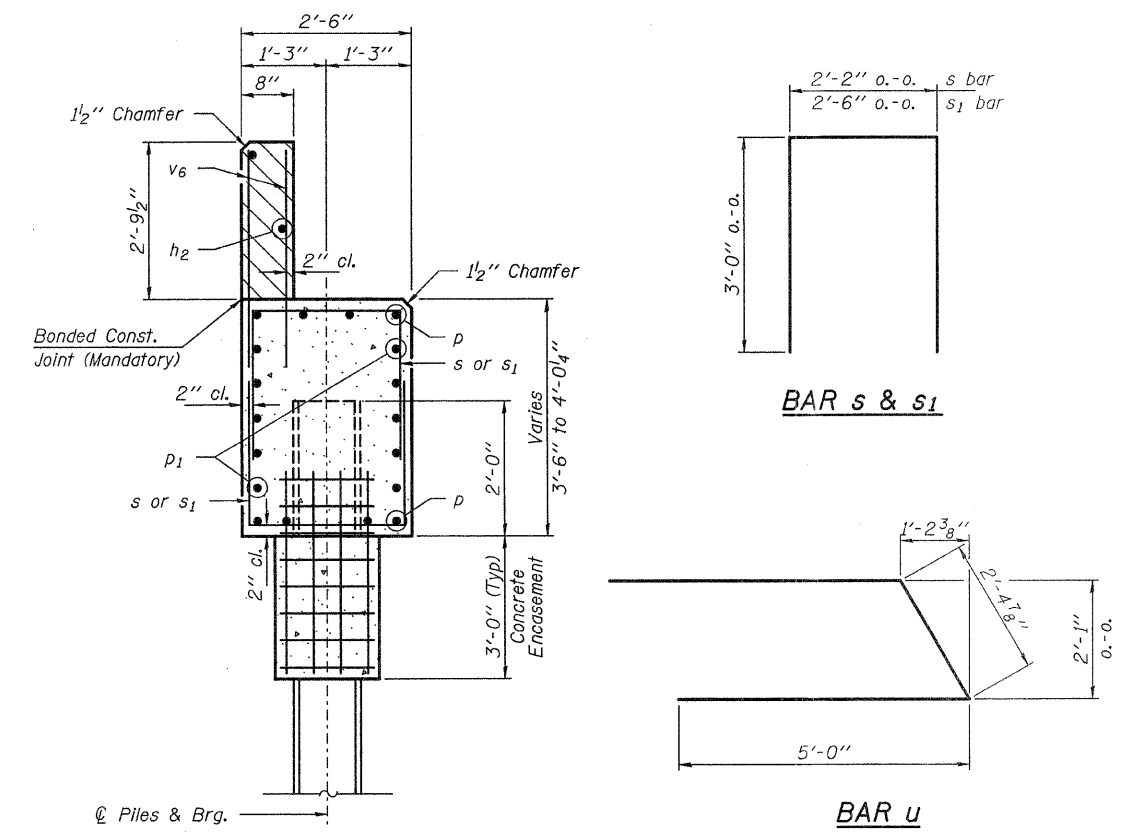
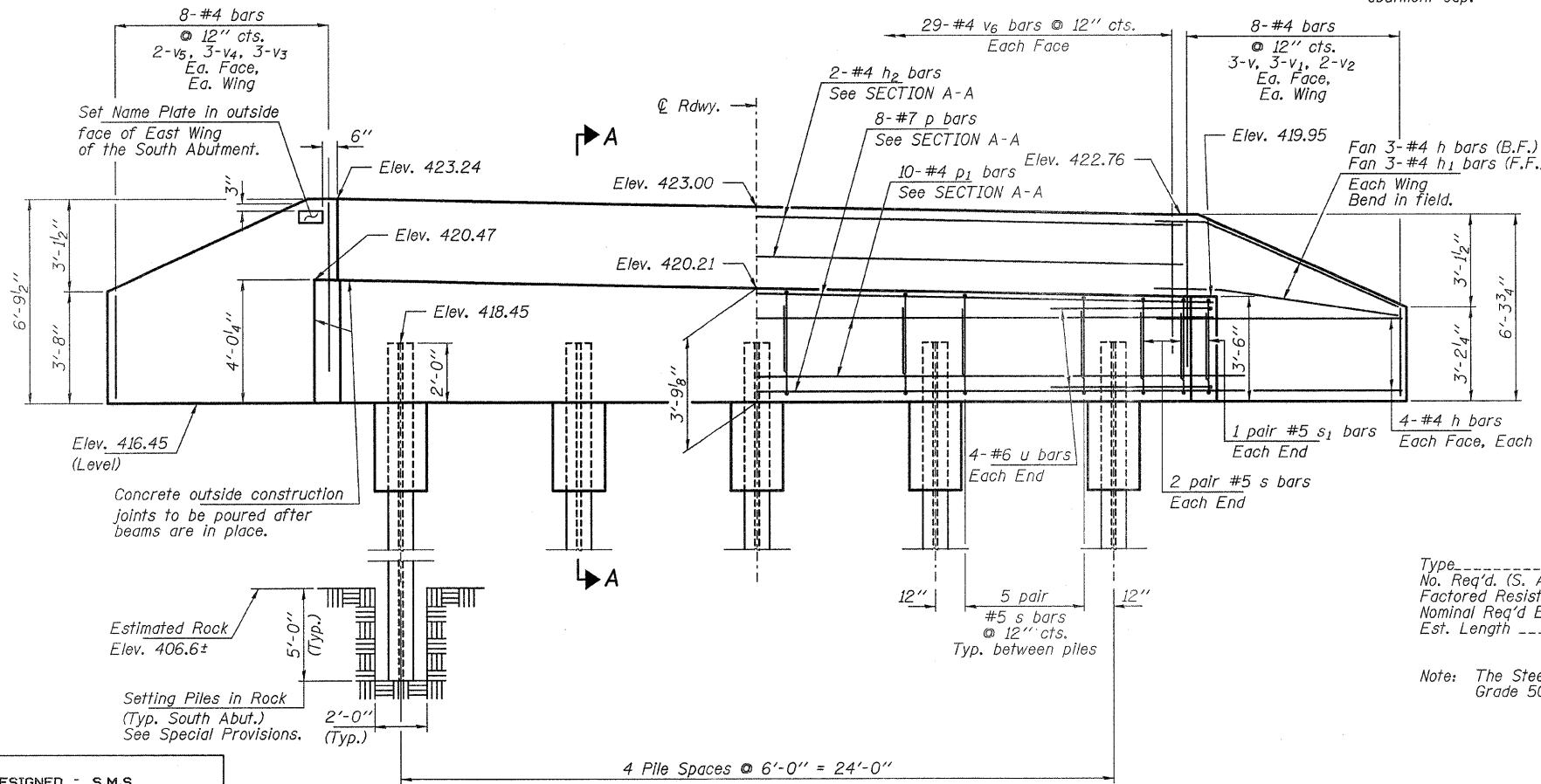


**PLAN**



**SECTION A-A**

Hatched area to be poured after beams are in place.



**ELEVATION**  
(Looking South)

Note: Extend h bars into abutment cap.

**BILL OF MATERIAL - S. ABUT.**

BAR	NO.	SIZE	LENGTH	SHAPE
h	22	#4	9'-0"	—
h1	6	#4	7'-6"	—
h2	2	#4	29'-2"	—
p	8	#7	29'-2"	—
p1	10	#4	29'-2"	—
s	48	#5	8'-2"	□
s1	4	#5	8'-6"	□
u	8	#6	12'-5"	—
v	12	#4	5'-3"	—
v1	12	#4	3'-10"	—
v2	8	#4	2'-11"	—
v3	12	#4	5'-9"	—
v4	12	#4	4'-4"	—
v5	8	#4	3'-4"	—
v6	58	#4	3'-9"	—
Concrete Structures			Cu. Yd.	15.0
Concrete Encasement			Cu. Yd.	1.7
Reinforcement Bars			Pound	1,800
Steel Piles HPI2x53			Foot	85
Name Plates			Each	1
Setting Piles in Rock			Each	5

**PILE DATA**

Type ----- Steel HPI2x53  
 No. Req'd. (S. Abut.) ----- 5  
 Factored Resistance Available ----- 209 Kips/Pile  
 Nominal Req'd Bearing ----- 418 Kips/Pile  
 Est. Length ----- 17 Ft/Pile

Note: The Steel H-Piles shall be according to AASHTO M270 Grade 50.

DESIGNED -	S.M.S.
CHECKED -	S.W.M.
DRAWN -	D.A.B.
CHECKED -	D.T.M.

<b>HAMPTON, LENZINI &amp; RENWICK, INC.</b> CIVIL & STRUCTURAL ENGINEERS LAND SURVEYORS 3085 STEVENSON DRIVE, SUITE 201 SPRINGFIELD, ILLINOIS 62703 (217) 546-3400	SHEET NO. 6	T.R.	SECTION	COUNTY	TOTAL SHEETS	SHEET NO.
	9 SHEETS	200	07-08126-00-BR	HAMILTON	13	10
	PROJECT NUMBER: 08.0103.130	DATE: 01/21/09	McLEANSBORO ROAD DISTRICT		CONTRACT NO. 99356	
		FED. ROAD DIST. NO.	ILLINOIS	FED. AID PROJECT	BROS-065(050)	