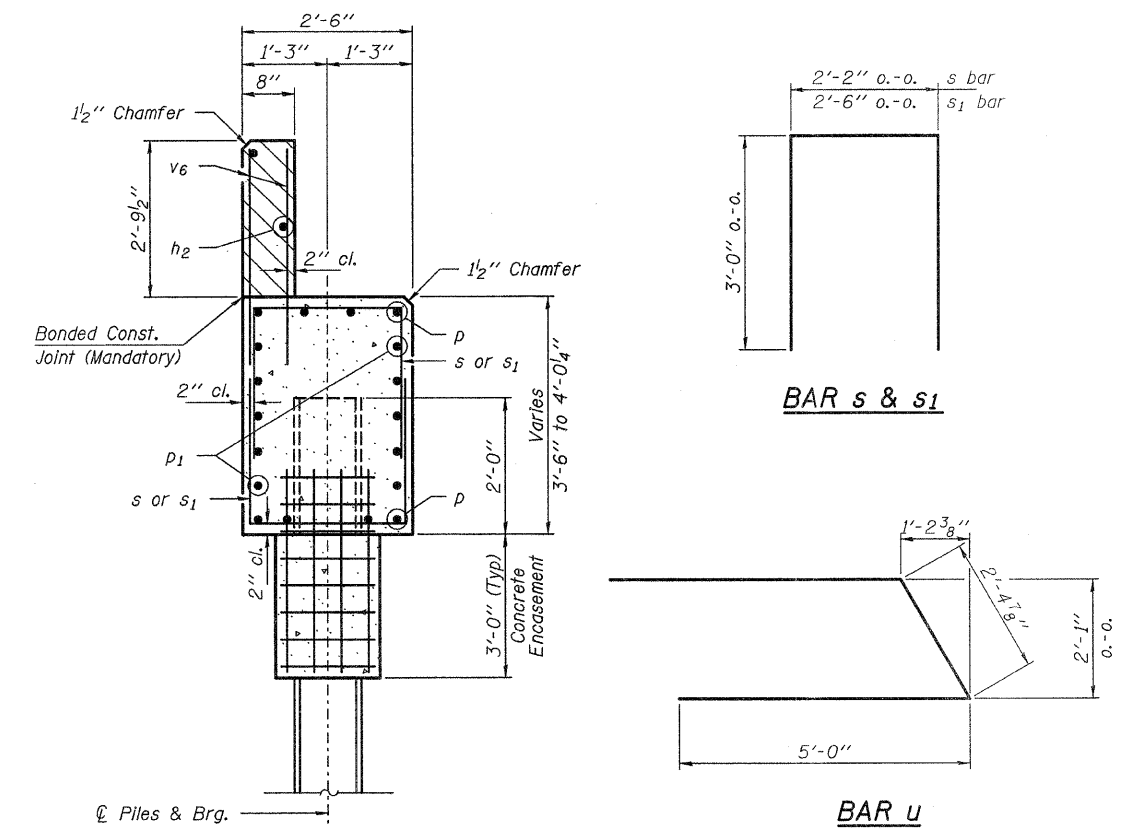
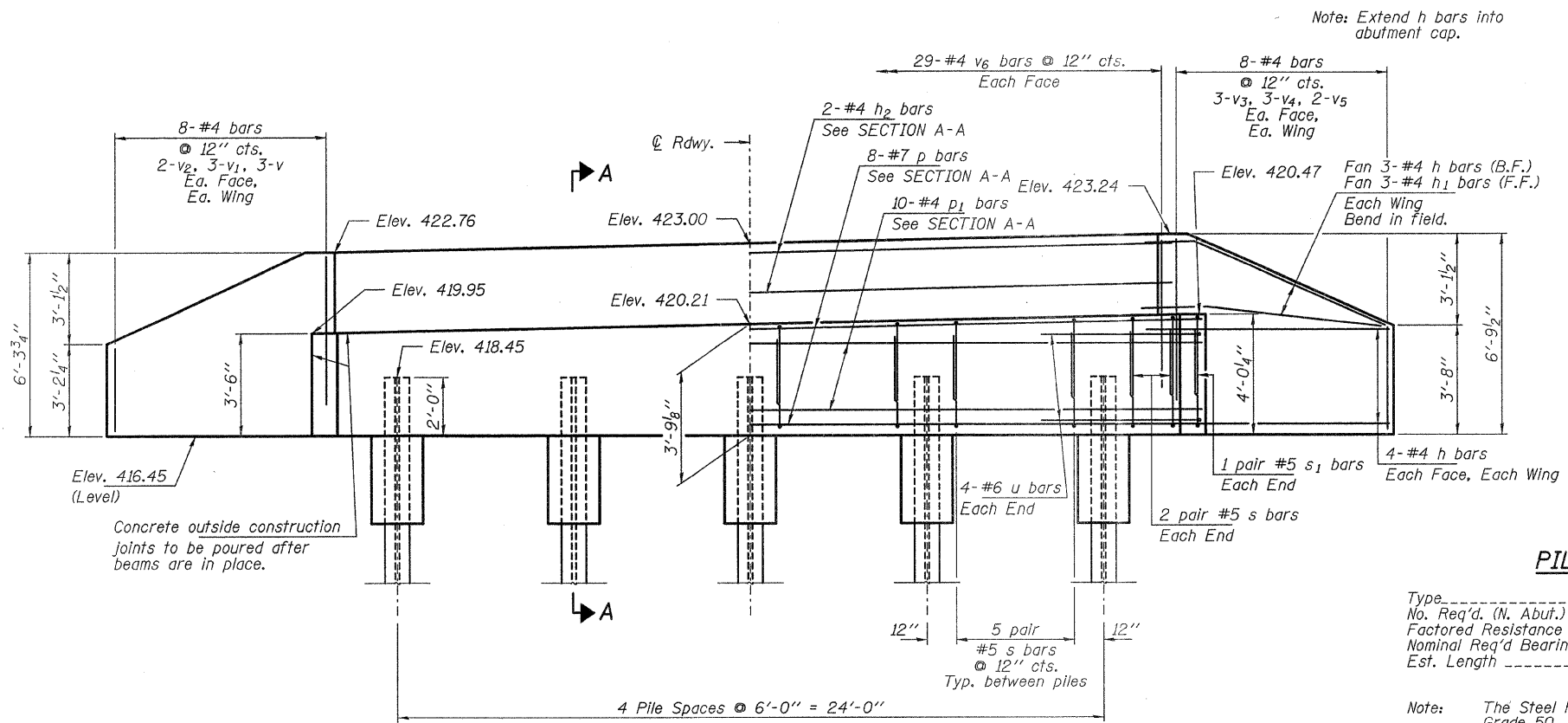


PLAN



SECTION A-A

Hatched area to be poured after beams are in place.



ELEVATION
(Looking North)

Note: Extend h bars into abutment cap.

BILL OF MATERIAL - N. ABUT.

BAR	NO.	SIZE	LENGTH	SHAPE
h	22	#4	9'-0"	—
h1	6	#4	7'-6"	—
h2	2	#4	29'-2"	—
p	8	#7	29'-2"	—
p1	10	#4	29'-2"	—
s	48	#5	8'-2"	□
s1	4	#5	8'-6"	□
u	8	#6	12'-5"	—
v	12	#4	5'-3"	—
v1	12	#4	3'-10"	—
v2	8	#4	2'-11"	—
v3	12	#4	5'-9"	—
v4	12	#4	4'-4"	—
v5	8	#4	3'-4"	—
v6	58	#4	3'-9"	—
Concrete Structures			Cu. Yd.	15.0
Concrete Encasement			Cu. Yd.	1.7
Reinforcement Bars			Pound	1,800
Steel Piles HPI2x53			Foot	125
Driving Piles			Foot	125

PILE DATA

Type ----- Steel HPI2x53
 No. Req'd. (N. Abut.) ----- 5
 Factored Resistance Available ----- 209 Kips/Pile
 Nominal Req'd Bearing ----- 418 Kips/Pile
 Est. Length ----- 25 Ft/Pile

Note: The Steel H-Piles shall be according to AASHTO M270 Grade 50.

DESIGNED - S.M.S
CHECKED - S.W.M.
DRAWN - D.A.B.
CHECKED - D.T.M.

HAMPTON, LENZINI & RENWICK, INC.
 CIVIL & STRUCTURAL ENGINEERS
 LAND SURVEYORS

HLR 3085 STEVENSON DRIVE, SUITE 201
 SPRINGFIELD, ILLINOIS 62703
 (217) 648-3400

PROJECT NUMBER: 08.0103.130 DATE: 01/21/09

SHEET NO. 7
 9 SHEETS

T.R.	SECTION	COUNTY	TOTAL SHEETS	SHEET NO.
200	07-08126-00-BR	HAMILTON	13	11
McLEANSBORO ROAD DISTRICT		CONTRACT NO. 99356		
FED. ROAD DIST. NO.		ILLINOIS FED. AID PROJECT BROS-065(050)		

**NORTH ABUTMENT
 STRUCTURE NO. 033-3308**