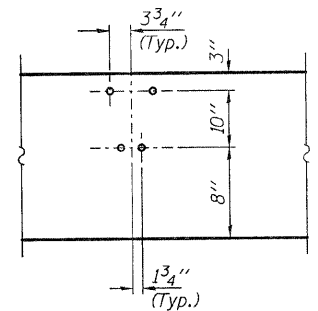
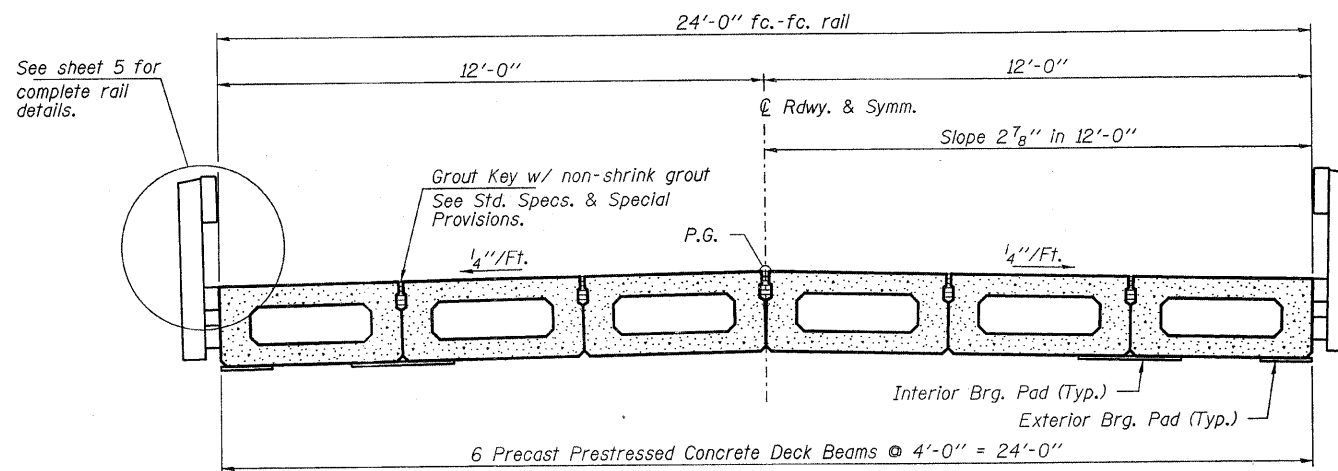


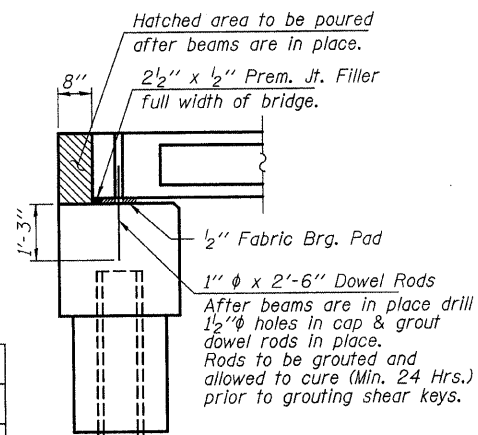
**ELEVATION**  
Showing Rail Post Spaces  
See sheet 5 of 9 for Railing Details.



**DETAIL A**



**CROSS SECTION**  
See sheets 2 & 3 of 9 for Superstructure.



**SECTION AT ABUTMENTS**  
© Rt. L's

DESIGNED - S.M.S.
CHECKED - S.W.M.
DRAWN - D.T.M.
CHECKED - D.A.B.

**HAMPTON, LENZINI & RENWICK, INC.**  
CIVIL & STRUCTURAL ENGINEERS  
LAND SURVEYORS

**HLR** 3085 STEVENSON DRIVE, SUITE 201  
SPRINGFIELD, ILLINOIS 62703  
(217) 546-3400

PROJECT NUMBER: 08.0283.130 DATE: 03/03/09

SHEET NO. 4  
9 SHEETS

T.R.	SECTION	COUNTY	TOTAL SHEETS	SHEET NO.
125	06-09121-00-BR	WHITE	13	8
MILL SHOALS ROAD DISTRICT		CONTRACT NO. 99371		
FED. ROAD DIST. NO.	ILLINOIS	FED. AID PROJECT BROS-193(27)		

**SUPERSTRUCTURE DETAILS**  
**STRUCTURE NO. 097-3252**