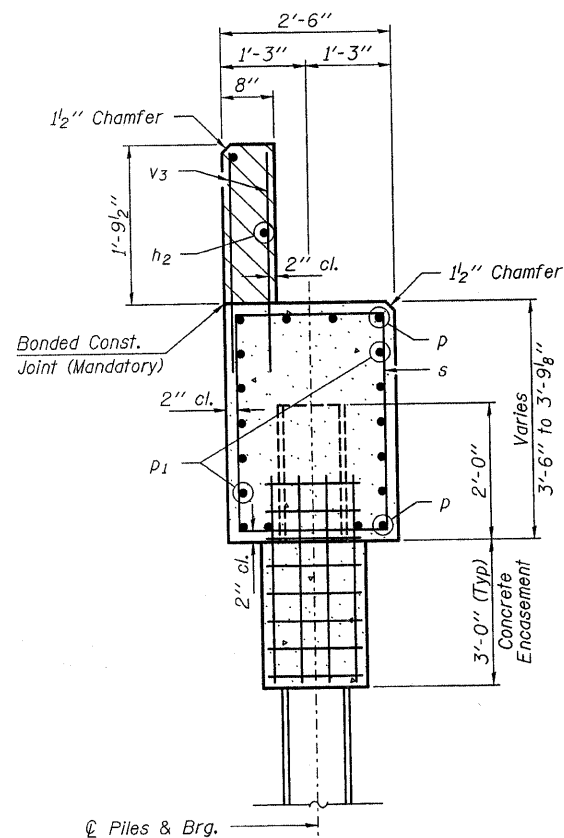
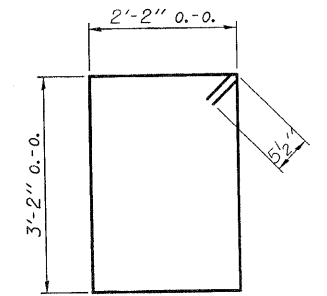


PLAN

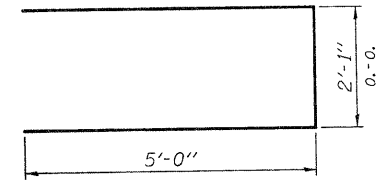


SECTION A-A

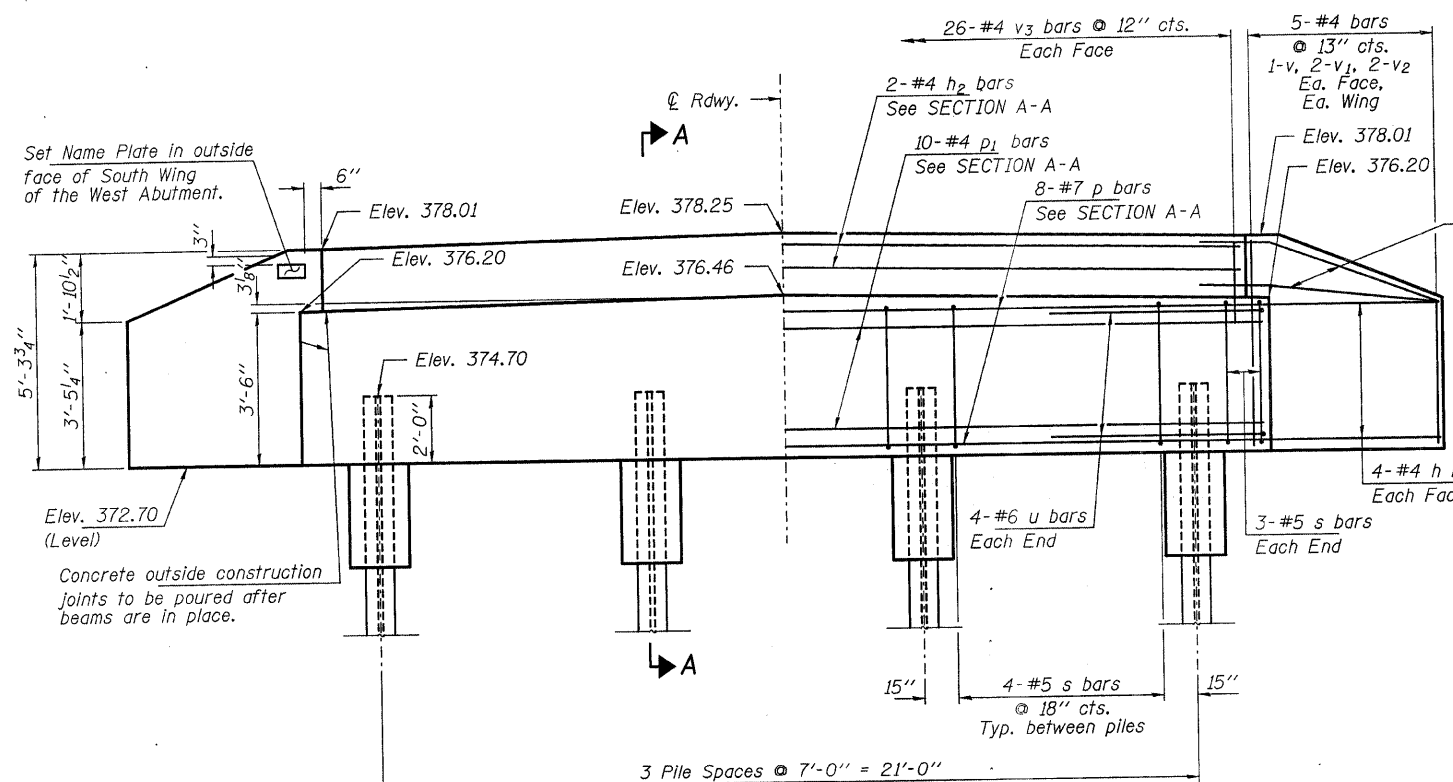
Hatched area to be poured after beams are in place.



BAR s



BAR u



ELEVATION

Note: Extend h bars into abutment cap.

Fan 2-#4 h bars (B.F.)
Fan 2-#4 h1 bars (F.F.)
Each Wing
Bend in field.

PILE DATA

Type Steel HP12x53
No. Req'd. (2 Abutments) 8
Factored Resistance Available (Rf) 209 Kips/Pile
Nominal Required Bearing (Rn) 419 Kips/Pile
Est. Length 65 Ft/Pile (W. Abut.)
60 Ft/Pile (E. Abut.)

Notes: The Steel H-Piles shall be according to AASHTO M270 Grade 50.

BILL OF MATERIAL - 2 ABUTS.

BAR	NO.	SIZE	LENGTH	SHAPE
h	40	#4	6'-0"	—
h1	8	#4	4'-6"	—
h2	4	#4	25'-2"	—
p	16	#7	25'-2"	—
p1	20	#4	25'-2"	—
s	36	#5	11'-7"	□
u	16	#6	12'-1"	—
v	8	#4	4'-11"	—
v1	16	#4	4'-3"	—
v2	16	#4	3'-2"	—
v3	104	#4	2'-8"	—
Concrete Structures			Cu. Yd.	22.2
Concrete Encasement			Cu. Yd.	2.8
Reinforcement Bars			Pound	2,430
Steel Piles HP12x53			Foot	500
Name Plates			Each	1

ABUTMENTS
STRUCTURE NO. 097-3252

DESIGNED - S.M.S.
CHECKED - S.W.M.
DRAWN - D.T.M.
CHECKED - D.A.B.

HAMPTON, LENZINI & RENWICK, INC.
CIVIL & STRUCTURAL ENGINEERS
LAND SURVEYORS
3085 STEVENSON DRIVE, SUITE 201
SPRINGFIELD, ILLINOIS 62703
(217) 546-3400

SHEET NO. 6
9 SHEETS

T.R.	SECTION	COUNTY	TOTAL SHEETS	SHEET NO.
125	06-09121-00-BR	WHITE	13	10
MILL SHOALS ROAD DISTRICT		CONTRACT NO. 99371		
FED. ROAD DIST. NO.	ILLINOIS	FED. AID PROJECT BROS-193(27)		

PROJECT NUMBER: 08.0263.130 DATE: 03/03/09