

TIEDOWN NOTES
 NEW TIEDOWNS WILL BE INSTALLED AT THE LOCATIONS SHOWN ON THIS SHEET. THE TIEDOWNS WILL BE INSTALLED IN ACCORDANCE WITH DETAIL "C" FOR ALTERNATE BID A (CONCRETE PAVEMENT). THE TIEDOWNS WILL BE INSTALLED IN ACCORDANCE WITH DETAIL "B" FOR ALTERNATE BID B (BITUMINOUS PAVEMENT).

THE PERIMETER OF EACH PROPOSED TIEDOWN SHALL BE SAWED OR CORED, IF NOT CAST IN-PLACE.
 TIEDOWN CASTINGS SHALL BE NEENAH R-3490A OR APPROVED EQUAL.
 CONCRETE SHALL MEET THE REQUIREMENTS OF 610 - STRUCTURAL CONCRETE.
 THE PROPOSED TIEDOWN MARKING WILL BE IN ACCORDANCE WITH THE PROPOSED TIEDOWN MARKING DETAIL ON THIS SHEET AND THE SPECIFICATIONS.
 THE TIEDOWNS WILL BE PAID FOR UNDER ITEM AR510510 TIEDOWN, PER EACH.

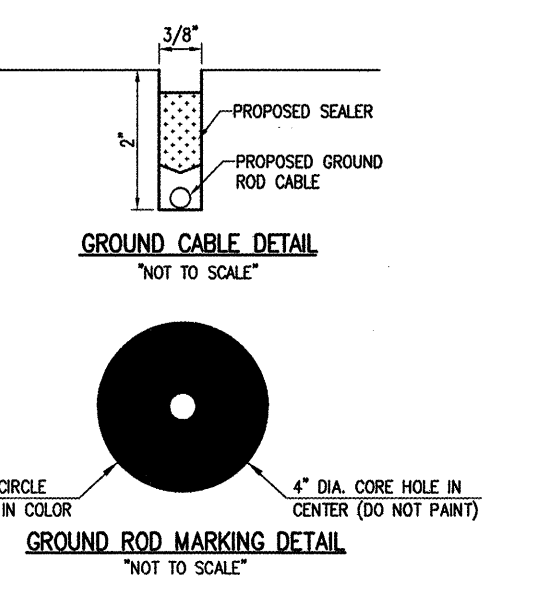
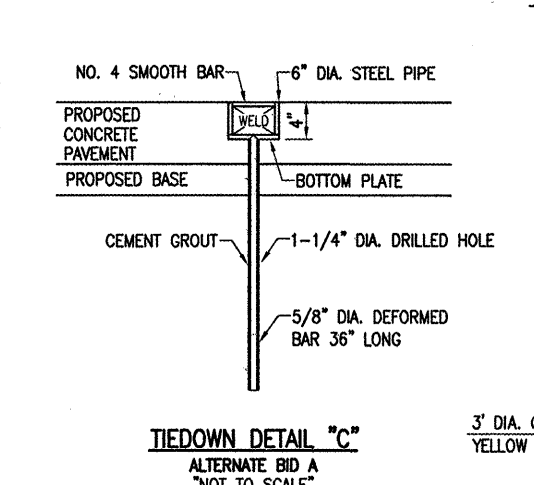
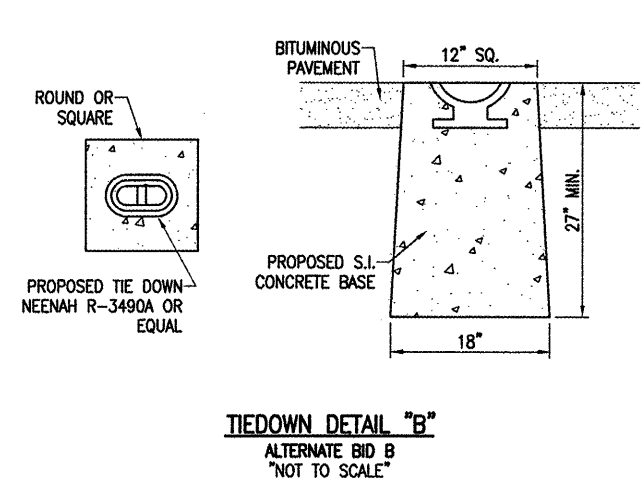
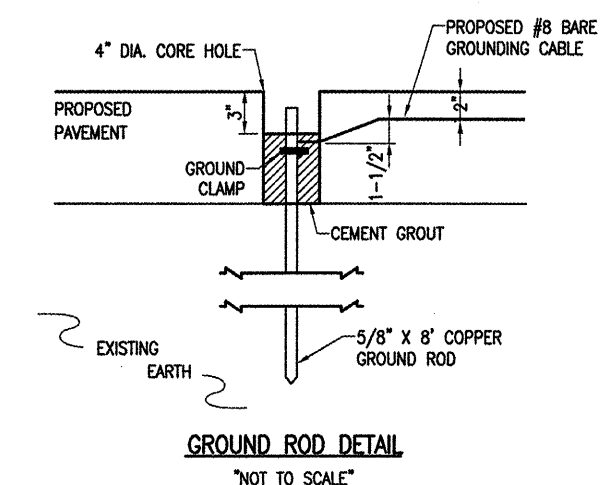
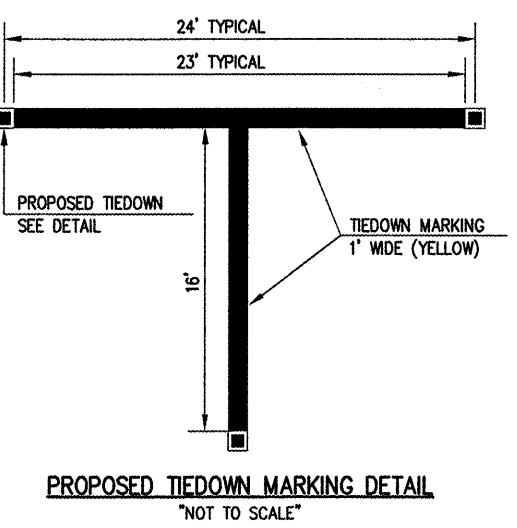
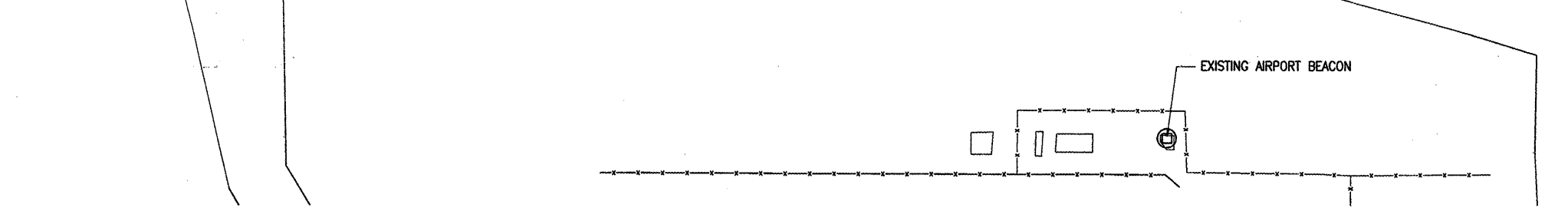
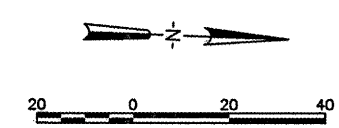
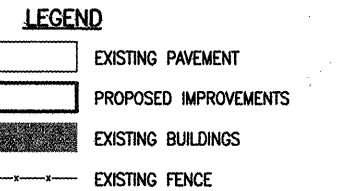
GROUND ROD NOTES
 THE GROUND RODS WILL BE INSTALLED AT THE LOCATIONS SHOWN ON THIS SHEET.
 THE CONTRACTOR SHALL TAKE CARE AS NOT TO ALLOW ANY PAINT TO ADHERE TO THE GROUND ROD.
 THE CONTRACTOR SHALL INSTALL A #8 BARE COPPER WIRE IN THE PROPOSED SAWED JOINT AS INDICATED ON THIS SHEET. THE SAW CUT WILL BE CUT 2" DEEP TO FACILITATE THE INSTALLATION OF THE PROPOSED GROUNDING CABLE. THE CONTRACTOR WILL SEAL THE SAW CUT WITH COLD POUR MATERIAL AFTER THE GROUNDING CABLE IS INSTALLED.

THE PROPOSED GROUND RODS AND GROUNDING CABLE AND ASSOCIATED WORK WILL BE CONSIDERED INCIDENTAL TO THE INSTALLATION OF THE PROPOSED TIEDOWNS AND NO ADDITIONAL COMPENSATION WILL BE ALLOWED.

MARKING NOTES
 ALL MARKING SHALL BE YELLOW IN COLOR AND OUTLINED IN BLACK.
 ALL TAXIWAY CENTERLINE AND TIEDOWN MARKINGS SHALL BE 1" IN WIDTH AND SOLID. THE BLACK BORDER SHALL BE 6" BEYOND THE MARKING DIMENSIONS DETAILED. ALL OTHER MARKING WILL BE AS DETAILED.
 ALL MARKING WILL HAVE A REFLECTIVE MEDIA. APPLICATION RATES WILL BE IN ACCORDANCE WITH THE SPECIAL PROVISIONS. BLACK BORDER WILL NOT REQUIRE REFLECTIVE MEDIA.
 CUT-OFF SHEETS SHALL BE USED TO ENSURE STRAIGHT EDGES.

THE PROPOSED MARKING WILL BE PAID FOR UNDER ITEMS AR620520 PAVEMENT MARKING-WATERBORNE, PER SQUARE FOOT AND PAVEMENT AR620525 PAVEMENT MARKING-BLACK BORDER, PER SQUARE FOOT.

QUANTITY OF MARKING ON THIS SHEET:
 AR620520 PAVEMENT MARKING-WATERBORNE
 TIE DOWNS 117 S.F.
 GROUND RODS 20 S.F.
 AR620525 PAVEMENT MARKING-BLACK BORDER
 TIE DOWNS 117 S.F.
 GROUND RODS 8 S.F.



BY	
REVISION	
DATE	
EDGAR COUNTY AIRPORT PARIS, ILLINOIS	
A.J.P. PROJ.: 3-17-0077-B11	
IL PROJ.: PRG-3889	
HD Project No. 08A0209_0800 Revision R-151MRK.DWG Scale 1"=20' Date 04/17/09	03/07/09 MLH 03/07/09 MLH 03/18/09 JOW
© Copyright Hanson Professional Services Inc. 2009 Hanson Professional Services Inc. 1525 South Sixth Street Springfield, Illinois 62703-2888 www.hanson-inc.com Offices Nationwide	
REMOVE AND RECONSTRUCT T-HANGAR TAXIWAYS	PROPOSED PAVEMENT MARKING AND AIRCRAFT TIEDOWN PLAN
12	
12 of 18 sheets	

APR 13, 2009 5:07 PM HARR01115
 E:\081005\08A0209 PROJ\CAAD\AIRPORT\SHR-151MRK.DWG