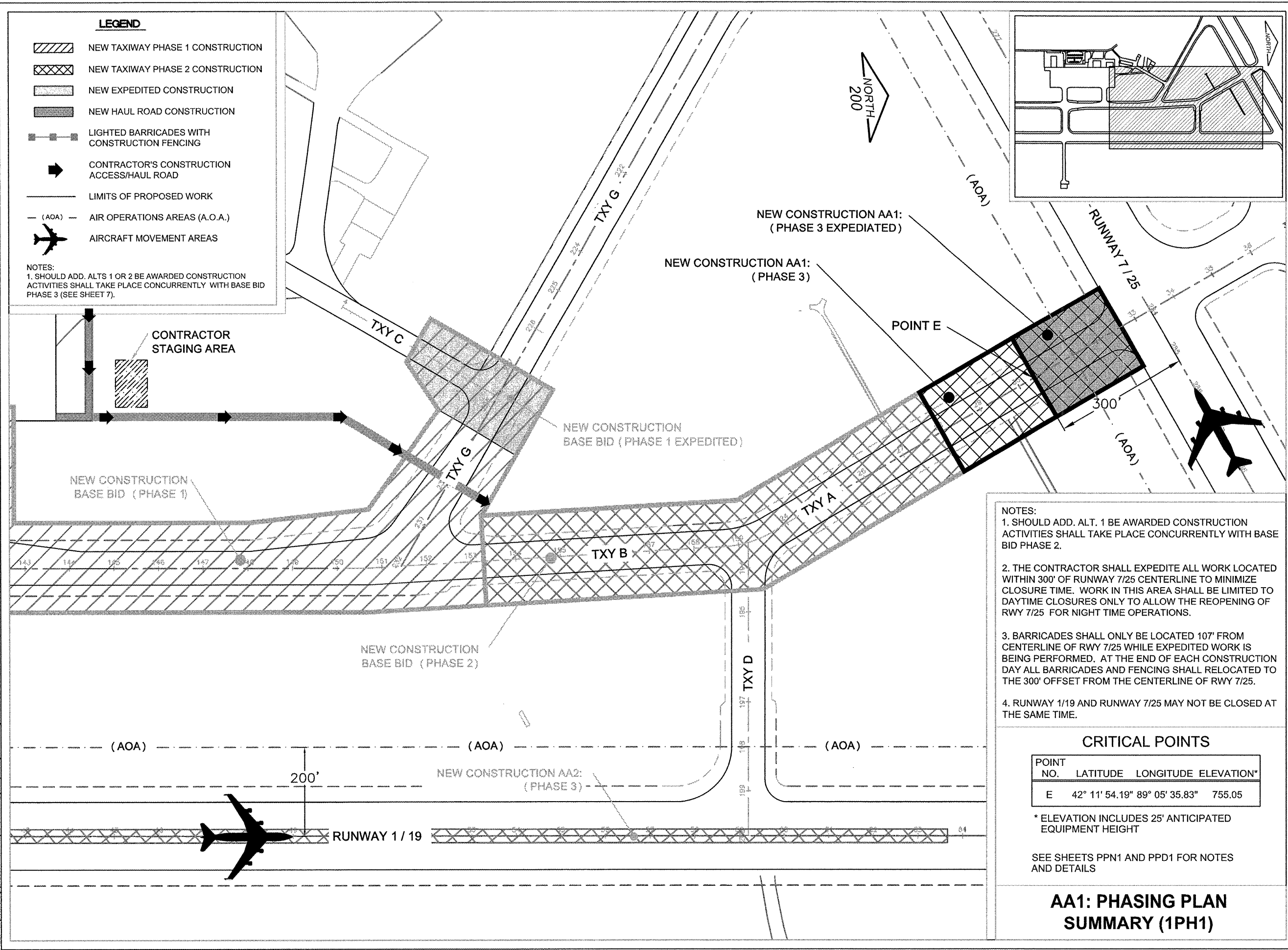


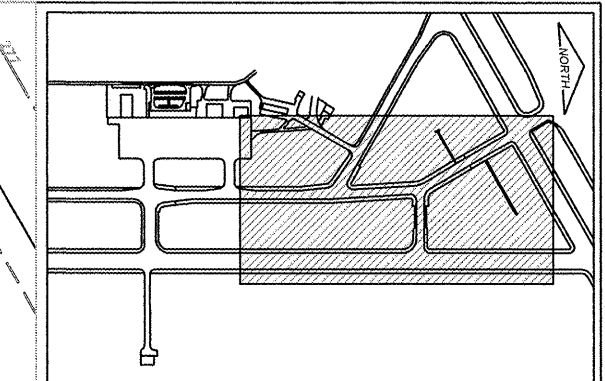
DATE: Monday, May 11, 2009 4:02:59 PM  
 FILE: K:\Rockford\092584\_Rehab\_Twy B South\_Plan\Draw Sheet\46-1PH1.dwg  
 UPDATE BY: Jeremy Unke  
 LAYOUT: 46-1PH1  
 IMAGE FILES: I01-rfd\_logo.jpg  
 XREF DWG: I01-rfd\_logo.dwg  
 XREF DWG: I01-rfd\_logo.dwg



**LEGEND**

- NEW TAXIWAY PHASE 1 CONSTRUCTION
- NEW TAXIWAY PHASE 2 CONSTRUCTION
- NEW EXPEDITED CONSTRUCTION
- NEW HAUL ROAD CONSTRUCTION
- LIGHTED BARRICADES WITH CONSTRUCTION FENCING
- CONTRACTOR'S CONSTRUCTION ACCESS/HAUL ROAD
- LIMITS OF PROPOSED WORK
- AIR OPERATIONS AREAS (A.O.A.)
- AIRCRAFT MOVEMENT AREAS

**NOTES:**  
 1. SHOULD ADD. ALTS 1 OR 2 BE AWARDED CONSTRUCTION ACTIVITIES SHALL TAKE PLACE CONCURRENTLY WITH BASE BID PHASE 3 (SEE SHEET 7).



**NOTES:**

1. SHOULD ADD. ALT. 1 BE AWARDED CONSTRUCTION ACTIVITIES SHALL TAKE PLACE CONCURRENTLY WITH BASE BID PHASE 2.
2. THE CONTRACTOR SHALL EXPEDITE ALL WORK LOCATED WITHIN 300' OF RUNWAY 7/25 CENTERLINE TO MINIMIZE CLOSURE TIME. WORK IN THIS AREA SHALL BE LIMITED TO DAYTIME CLOSURES ONLY TO ALLOW THE REOPENING OF RWY 7/25 FOR NIGHT TIME OPERATIONS.
3. BARRICADES SHALL ONLY BE LOCATED 107' FROM CENTERLINE OF RWY 7/25 WHILE EXPEDITED WORK IS BEING PERFORMED. AT THE END OF EACH CONSTRUCTION DAY ALL BARRICADES AND FENCING SHALL RELOCATED TO THE 300' OFFSET FROM THE CENTERLINE OF RWY 7/25.
4. RUNWAY 1/19 AND RUNWAY 7/25 MAY NOT BE CLOSED AT THE SAME TIME.

**CRITICAL POINTS**

POINT NO.	LATITUDE	LONGITUDE	ELEVATION*
E	42° 11' 54.19"	89° 05' 35.83"	755.05

\* ELEVATION INCLUDES 25' ANTICIPATED EQUIPMENT HEIGHT

SEE SHEETS PPN1 AND PPD1 FOR NOTES AND DETAILS

**AA1: PHASING PLAN SUMMARY (1PH1)**

**RO017**

5A

**CMT**  
 CRAWFORD, MURPHY & TILLY, INC.  
 CONSULTING ENGINEERS  
Copyright CMT, Inc.

Chicago Rockford International Airport

**FLYRFD.COM**

ROCKFORD, ILLINOIS  
 GREATER ROCKFORD AIRPORT AUTHORITY  
 3-17-0088-XX  
 RFD-3909

**REHAB. TWY B SOUTH PHASE 2**

Revisions	
Date	Description

THIS BAR IS EQUAL TO 1" AT FULL SCALE (17 X 11).

DESIGN BY:	CMT-ARR
DRAWN BY:	CMT-ARR
CHECKED BY:	CMT-ARR
APPROVED BY:	CMT-RFD
DATE:	5/8/2009
JOB No:	09258-04-00

PHASING PLAN SUMMARY (1PH1)

46

SHEET 46 OF 59 SHEETS