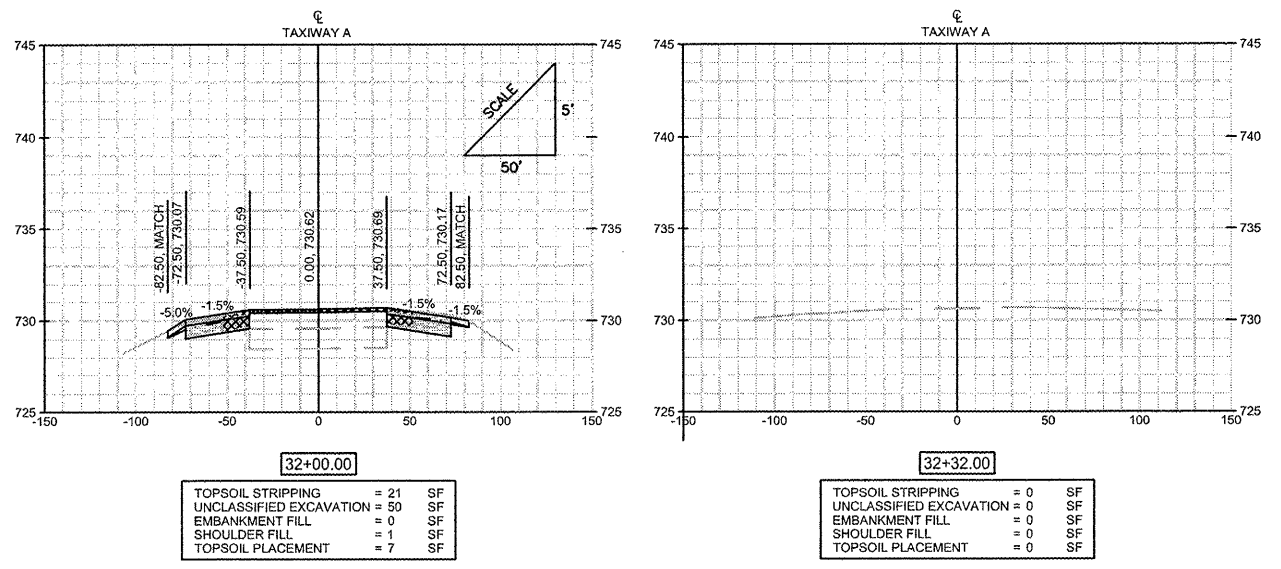



DATE: Monday, May 11, 2009 4:04:10 PM
 FILE: K:\Rockford\092584_Rehab_Twy B South PK\Drawn\Sheet\52-53-1XS2-2.dwg
 UPDATE BY: Jeremy Linke
 LAYOUT: 53-1XS2
 REF: DWG: 52-53-1XS2.dwg




**AA1: CROSS SECTIONS - 2
TXY A (1XS2)**

RO017
5A



CMT
CRAWFORD, MURPHY & TILLY, INC.
CONSULTING ENGINEERS
Copyright CMT, Inc.

Chicago Rockford
International
Airport



ROCKFORD, ILLINOIS
GREATER ROCKFORD
AIRPORT AUTHORITY
3-17-0088-XX
RFD-3909

REHAB. TWY B SOUTH
PHASE 2

Revisions	
Date	Description

0 1
THIS BAR IS EQUAL TO 1"
AT FULL SCALE (17 X 11).

DESIGN BY: CMT-ARR
DRAWN BY: CMT-ARR
CHECKED BY: CMT-ARR
APPROVED BY: CMT-RFD
DATE: 5/8/2009
JOB No: 09258-04-00

CROSS
SECTION - 2
(1XS2)

53

SHEET 53 OF 59 SHEETS