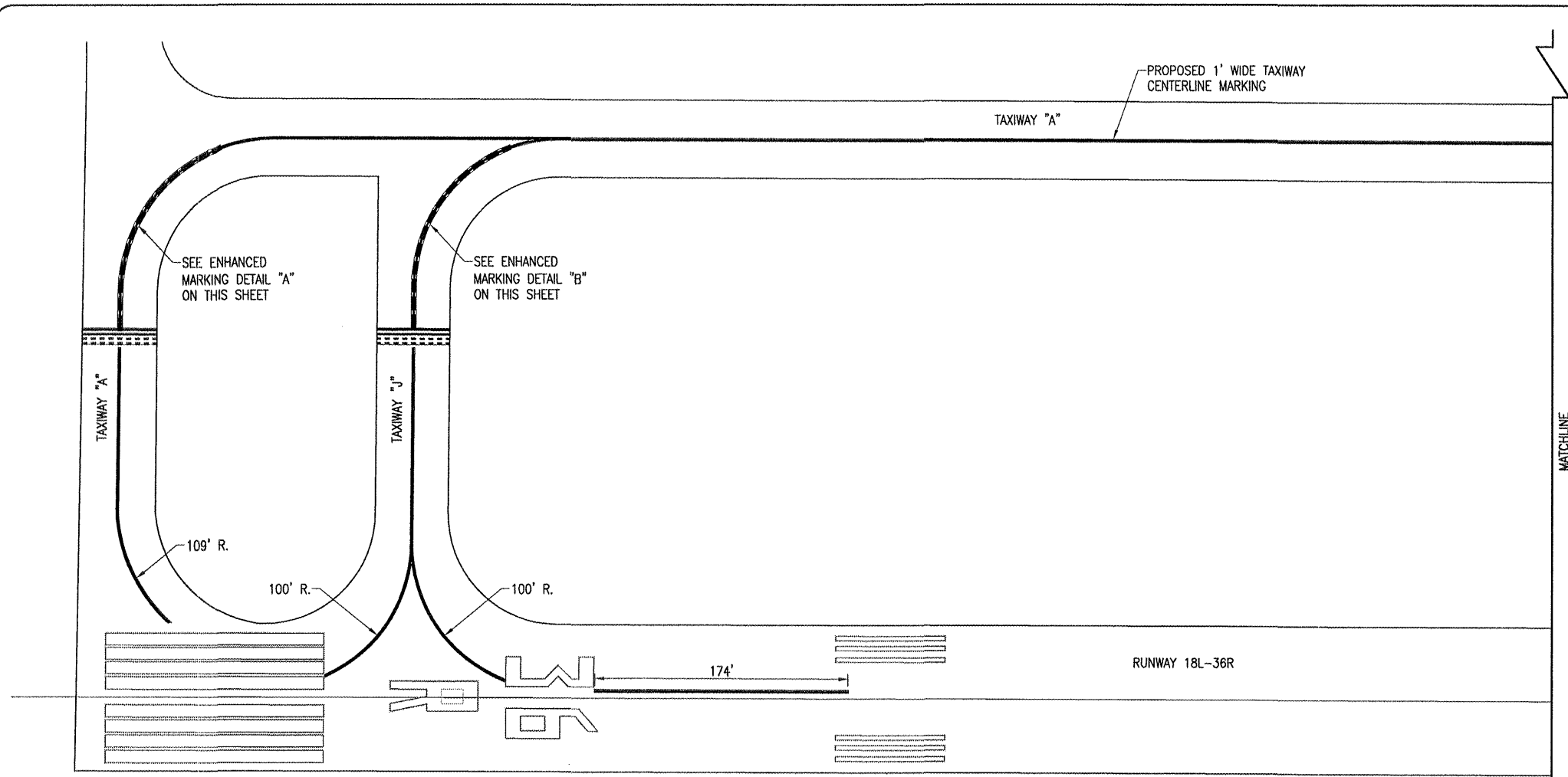


MAY 12, 2009 10:00 AM KINCA00394  
 I:\AIRPORTS\SIA-CARBONDALE\08A0067\CADD\AIRPORT\SHEET\R-151MRK.DWG -- Layout1

SO078



**PAVEMENT MARKING-WATERBORNE (AR620520) AND PAVEMENT MARKING-BLACK BORDER (AR620525)**

THE PAVEMENT MARKING-WATERBORNE (620) SHALL BE PLACED IN ACCORDANCE WITH ITEM 620 "PAVEMENT MARKING" AS STATED IN THE SUPPLEMENTAL SPECIFICATIONS AND RECURRING SPECIAL PROVISIONS, ADOPTED JULY 1, 2004.

ANY MATERIAL DELIVERED THAT FAILS TO MEET THE SPECIFICATIONS SHALL BE DISPOSED OF BY THE CONTRACTOR AND IMMEDIATELY REPLACED WITH ACCEPTABLE MATERIAL ENTIRELY AT THE CONTRACTOR'S EXPENSE, INCLUDING HANDLING AND TRANSPORTATION CHARGES.

TAXIWAY CENTERLINE MARKING SHALL BE SOLID AND YELLOW IN COLOR AND BE A WIDTH AS SHOWN ON THESE MARKING SHEETS. THE HOLDING POSITION MARKINGS WILL BE AS SPECIFIED IN THE DETAILS SHOWN ON SHEET 15.

ALL PROPOSED MARKING WILL BE COMPLETED IN ACCORDANCE WITH THE DETAILS SHOWN ON THE CONSTRUCTION PLANS.

THE PROPOSED PAVEMENT MARKING WILL BE APPLIED IN TWO APPLICATIONS. ALL PROPOSED YELLOW, RED & WHITE MARKING WILL HAVE A REFLECTIVE MEDIA APPLIED IN ACCORDANCE WITH THE SPECIFICATIONS. GLASS BEADS SHALL BE REQUIRED IN THE SECOND APPLICATION ONLY. BLACK BORDER WILL NOT REQUIRE REFLECTIVE MEDIA.

CUT-OFF SHEETS WILL BE REQUIRED TO INSURE STRAIGHT EDGES.

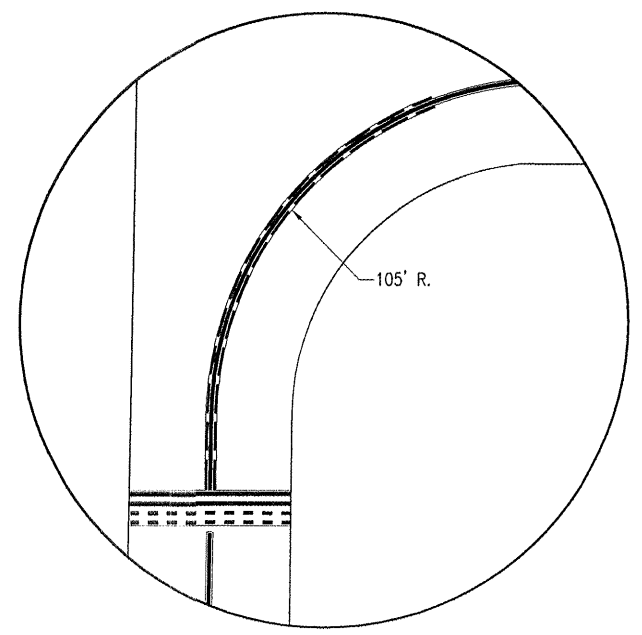
PROPOSED MARKING ITEMS WILL BE PAID FOR AS FOLLOWS:  
 AR620520 PAVEMENT MARKING-WATERBORNE - PER S.F.  
 AR620525 PAVEMENT MARKING-BLACK BORDER - PER S.F.

**ENHANCED MARKING NOTE:**

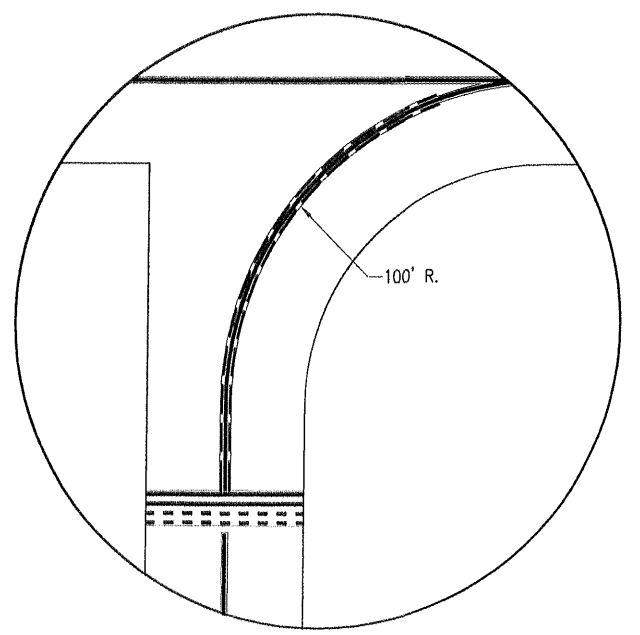
THE ENHANCED TAXIWAY MARKING WILL BE CONSTRUCTED TO THE DIMENSIONS AND COLORS AS SHOWN ON THE "ENHANCED TAXIWAY MARKING DETAIL" AS SHOWN ON SHEET NO. 15.

THE ENHANCED TAXIWAY MARKING WILL START AT THE EDGE OF THE ASSOCIATED HOLD LINE'S BLACK BORDER. THE ENHANCED MARKING WILL EXTEND FOR 150' FROM THIS POINT, UNLESS SHOWN OTHERWISE.

IN THE CASE WHERE THE TAXIWAY CENTERLINE FOLLOWS A RADIUS, THE ENHANCED MARKING WILL FOLLOW THE RADIUS AS SHOWN ON THE CORRESPONDING DETAILS. THE 150' WILL BE MEASURED ALONG THE CENTER OF THE TAXIWAY CENTERLINE AND WILL EXTEND FOR AN OVER ALL LENGTH OF 150', UNLESS SHOWN OTHERWISE.



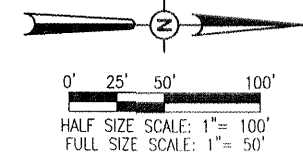
**DETAIL "A"**  
 SCALE 1" = 30'



**DETAIL "B"**  
 SCALE 1" = 30'

MARKING QUANTITIES				
ITEM NO.	DESCRIPTION	UNIT	QUANTITY	AS BUILT QUANTITY
AR620520	PAVEMENT MARKING - WATERBORNE	S.F.	37,766	
AR620525	PAVEMENT MARKING - BLACK BORDER	S.F.	43,371	

- LEGEND**
- EXISTING PAVEMENT
  - EXISTING PAVEMENT MARKING
  - PROPOSED PAVEMENT MARKING



DATE	REVISION	BY

**SOUTHERN ILLINOIS AIRPORT**  
 MURPHYSBORO / CARBONDALE, ILLINOIS

A.I.P. PROJ.: 3-17-0009-B29  
 I.L. PROJ.: MDH-3892

Hanson Project No. 08A0067D-0800	USI	04/03/09
Filename: R-151MRK.DWG	BHK	01/26/09
Scale: 1" = 50'	CAH	04/10/09
Date: 01/26/09	REVIEWED	
LAYOUT		
DRAWN		

Hanson Professional Services Inc.  
 1205 South Sixth Street  
 Springfield, Illinois 62703-2885  
 Offices Nationwide

**REHABILITATE TAXIWAY "B"**  
 PROPOSED MARKING PLAN