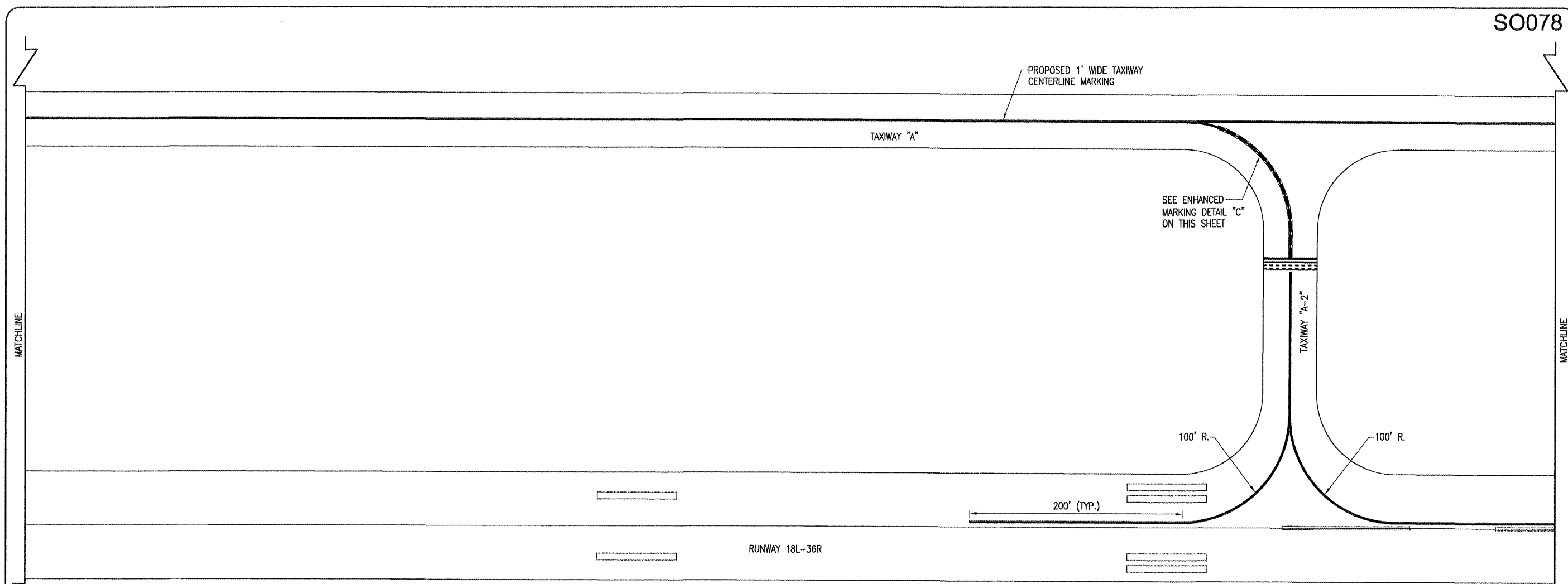


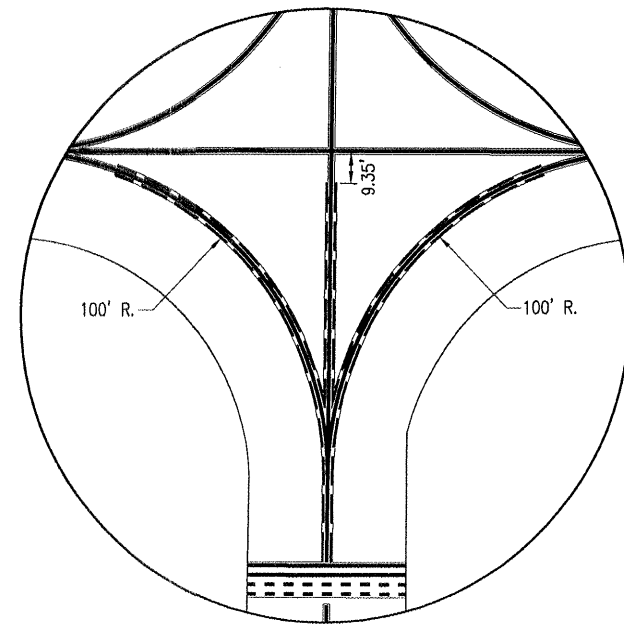
SO078

MATCHLINE

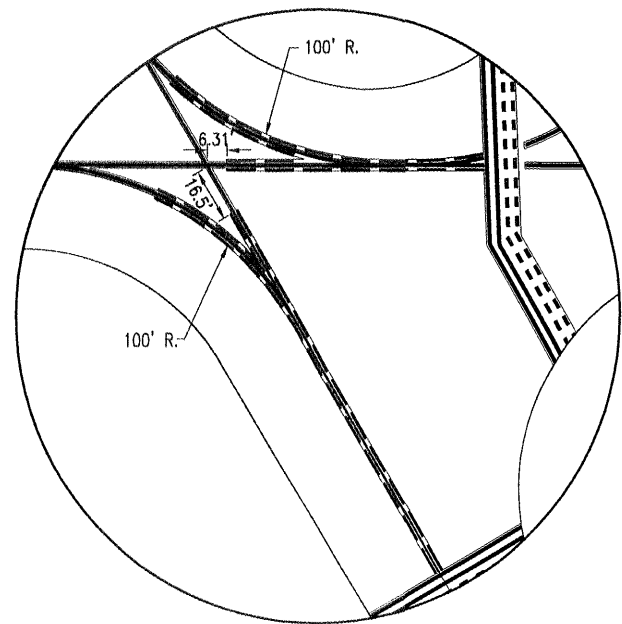
MATCHLINE



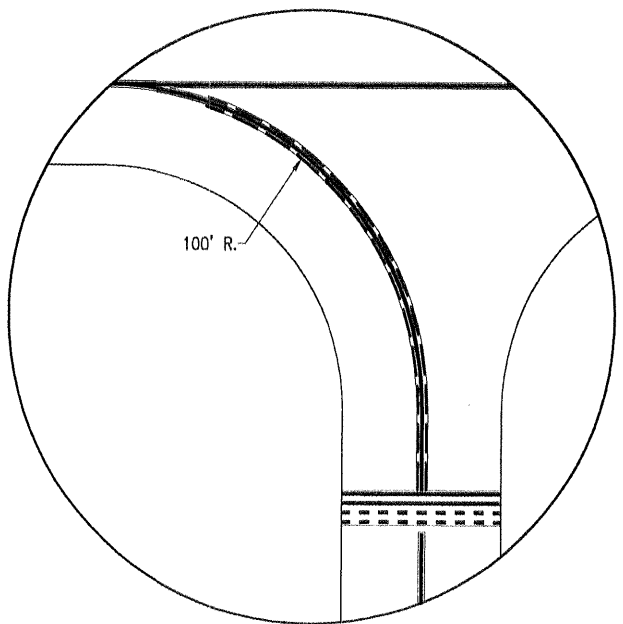
RUNWAY 18L-36R



DETAIL "A"  
SCALE 1" = 30'

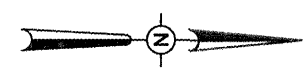


DETAIL "B"  
SCALE 1" = 30'



DETAIL "C"  
SCALE 1" = 30'

- LEGEND**
- EXISTING PAVEMENT
  - EXISTING PAVEMENT MARKING
  - PROPOSED PAVEMENT MARKING



0' 25' 50' 100'  
 HALF SIZE SCALE: 1" = 100'  
 FULL SIZE SCALE: 1" = 50'

REVISION	DATE	BY

**SOUTHERN ILLINOIS AIRPORT**  
 MURPHYSBORO / CARBONDALE, ILLINOIS

**SIA**  
 SOUTHERN ILLINOIS AIRPORT

IL PROJ.: MDH-3892 A.I.P. PROJ.: 3-17-0009-B29

Hanson Project No.	0840067D_0800
Filename	R-151MRK.DWG
Scale	1" = 50'
Date	01/26/09
LAYOUT	JSL 04/03/09
DRAWN	BAK 01/26/09
REVIEWED	CAH 04/10/09

**HANSON**

Hanson Professional Services Inc.  
 1525 South Sixth Street  
 Springfield, Illinois 62703-2886  
 Offices Nationwide

REHABILITATE  
 TAXIWAY "B"

PROPOSED  
 MARKING  
 PLAN

13

13 of 27 sheets

MAY 12, 2009 11:29 AM KINCA00394  
 I:\AIRPORTS\SA-CARBONDALE\0840067\CADD\AIRPORT\SHEET\R-151MRK.DWG - Layout1 (4)