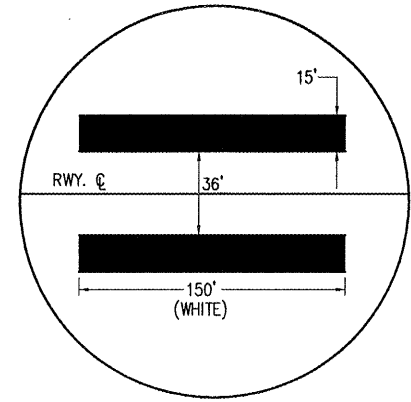
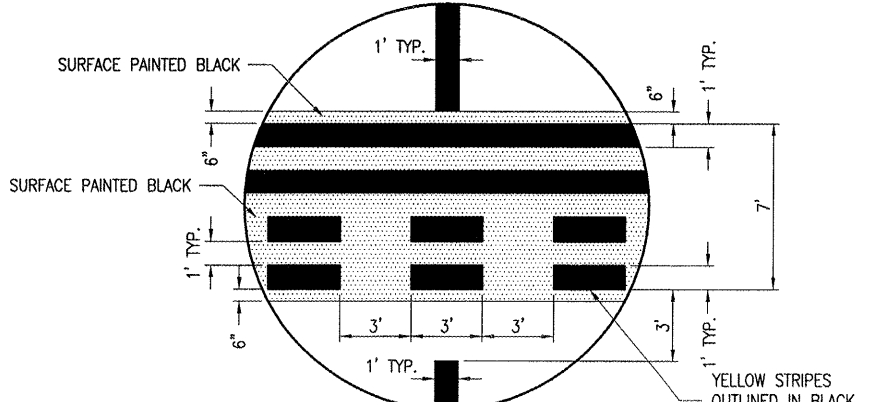


TAXIWAY CENTERLINE LEAD-IN DETAIL
"NOT TO SCALE"



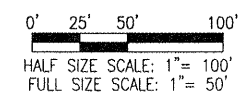
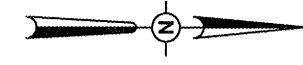
PROPOSED AIMING POINT MARKER DETAIL RWY 18/36
"NOT TO SCALE"



HOLDING POSITION DETAIL
"NOT TO SCALE"

LEGEND

	EXISTING PAVEMENT
	PROPOSED IMPROVEMENTS
	EXISTING BUILDING
	EXISTING PROPERTY LINE
	EXISTING MARKING
	PROPOSED MARKING



DATE	REVISION	BY

TAYLORVILLE MUNICIPAL AIRPORT
TAYLORVILLE, ILLINOIS

IL PROJ.: TAZ-3890 A.I.P. PROJ.: 3-17-0100-B11

Hanson Project No. 08A0189D_0800	LAYOUT	RAW	03/10/09
File Name: R-151MRK.DWG	DRAWN	BAK	03/10/09
Scale: 1" = 50'	REVIEWED	xxx	xx/xx/xx
Date: 03/10/09			

HANSON
Hanson Professional Services Inc.
1525 South St. Ste. 200
Springfield, Illinois 62702-2886
Offices Nationwide

REHABILITATE RUNWAY 18-36 AND TAXIWAY "A"
MARKING PLAN
STA. 276+00 TO STA. 290+00

MAY 07, 2009 10:40 AM KINCA00394
I:\AIRPORTS\TAYLORVILLE\08A0189D\CADD\AIRPORT\ SHEET\ R-151MRK.DWG - Layout1 (2)