

06-12-2015 LETTING ITEM 092

STATE OF ILLINOIS
 DEPARTMENT OF TRANSPORTATION
 DIVISION OF HIGHWAYS

**PROPOSED
 HIGHWAY PLANS**

VARIOUS ROUTES
 SECTION D5 CM BRIDGE PAINTING 2015-1

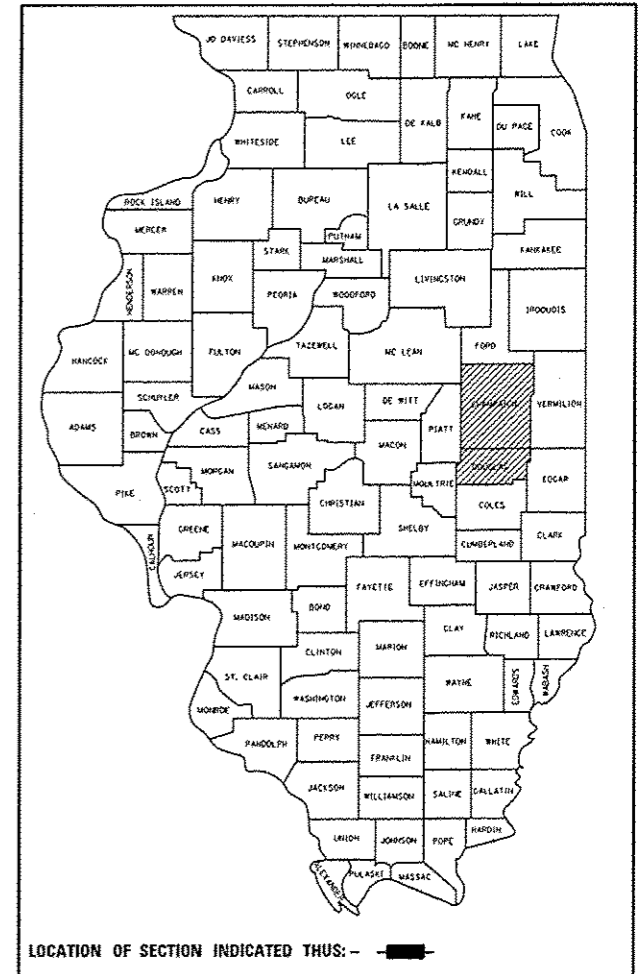
BRIDGE PAINTING BRIDGE CLEANING
 CHAMPAIGN & DOUGLAS COUNTIES

C-95-034-14

| | | | | |
|-----------|---------|----------|--------------------|-----------|
| F.A. RTE. | SECTION | COUNTY | TOTAL SHEETS | SHEET NO. |
| VAR. | * | ** | 19 | 1 |
| | | ILLINOIS | CONTRACT NO. 70A79 | |

•D5 CM BRIDGE PAINTING 2015-1
 **CHAMPAIGN & DOUGLAS

D-95-034-14



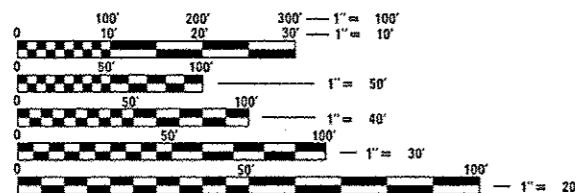
FOR INDEX OF SHEETS, SEE SHEET NO. 2
 FOR SUMMARY OF QUANTITIES, SEE SHEET NO. 7

| CURRENT ADT | | | | |
|-------------|---------|---------|---------|---------|
| | LOC. #1 | LOC. #2 | LOC. #3 | LOC. #4 |
| ADT (2014) | 500 | 600 | 1,850 | 2,300 |

TRAFFIC DATA LOCATIONS

LOC. #1 = S.N. 010-0240 - FAS 526 OVER E. BRANCH EMBARRAS RIVER.
 LOC. #2 = S.N. 010-0250 - FAS 525 OVER E. BRANCH EMBARRAS RIVER.
 LOC. #3 = S.N. 021-0030 - FAP 820 (IL 130) OVER EMBARRAS RIVER.
 LOC. #4 = S.N. 021-0029 - FAP 808 (IL 130) OVER TRIBUTARY TO EMBARRAS RIVER.

FOR LOCATION MAPS, SEE SHEETS 3-6



FULL SIZE PLANS HAVE BEEN PREPARED USING STANDARD ENGINEERING SCALES. REDUCED SIZED PLANS WILL NOT CONFORM TO STANDARD SCALES. IN MAKING MEASUREMENTS ON REDUCED PLANS, THE ABOVE SCALES MAY BE USED.

J.U.L.I.E.
 JOINT UTILITY LOCATION INFORMATION FOR EXCAVATION
 1-800-892-0123
 OR 811

PROJECT ENGINEER: NANCY FASIG
 SQUAD LEADER: STEVE COOMBES
 DESIGNER: BYRON SMITH
 (217) 465-4181
 CONTRACT NO. 70A79

STATE OF ILLINOIS
 DEPARTMENT OF TRANSPORTATION
 DIVISION OF HIGHWAYS

SUBMITTED MARCH 17, 2015
Kenneth A. Barnett
 DEPUTY DIRECTOR OF HIGHWAYS, REGION ENGINEER *CR*

MAY 8, 2015
John D. Baranzelli, PE
 ENGINEER OF DESIGN AND ENVIRONMENT

MAY 8, 2015
Omer Osman, PE
 DIRECTOR OF HIGHWAYS, CHIEF ENGINEER

PRINTED BY THE AUTHORITY
 OF THE STATE OF ILLINOIS

INDEX OF SHEETS

| SHEET NO. | DESCRIPTION |
|-----------|---|
| 1 | COVER SHEET |
| 2 | INDEX OF SHEETS, HIGHWAY STANDARDS, & GENERAL NOTES |
| 3-6 | DESCRIPTIONS AND MAPS FOR LOCATIONS 1-4 |
| 7 | SUMMARY OF QUANTITIES |
| 8-10 | LOCATION #1 STRUCTURE DETAILS |
| 11-13 | LOCATION #2 STRUCTURE DETAILS |
| 14-16 | LOCATION #3 STRUCTURE DETAILS |
| 17-19 | LOCATION #4 STRUCTURE DETAILS |

HIGHWAY STANDARDS

| STANDARD NO. | DESCRIPTION |
|--------------|---|
| 000001-06 | STANDARD SYMBOLS, ABBREVIATIONS AND PATTERNS |
| 701001-02 | OFF-RD OPERATIONS, 2L, 2W, MORE THAN 15' (4.5 m) AWAY |
| 701006-05 | OFF-RD OPERATIONS, 2L, 2W, 15' (4.5 m) TO 24" (600 mm) FROM PAVEMENT EDGE |
| 701201-04 | LANE CLOSURE, 2L, 2W, DAY ONLY, FOR SPEEDS >= 45 M.P.H. |
| 701501-06 | URBAN LANE CLOSURE, 2L, 2W, UNDIVIDED |
| 701901-04 | TRAFFIC CONTROL DEVICES |

GENERAL NOTES

G.N.-100
ENGLISH UNITS OF MEASURE SHALL GOVERN OVER AND SUPERSEDE ANY METRIC UNITS SHOWN IN THIS CONTRACT. WHERE INCLUDED, METRIC UNITS ARE FOR INFORMATION ONLY.

G.N.-100A
ELECTRONIC FILES AND/OR ELECTRONIC SURVEY INFORMATION INCLUDING CADD FILES WILL NOT BE AVAILABLE TO THE CONTRACTOR.

G.N.-501A
THE EXISTING STRUCTURAL STEEL COATING CONTAINS LEAD. THE CONTRACTOR SHALL FOLLOW THE GUIDE BRIDGE SPECIAL PROVISIONS FOR CONTAINMENT AND DISPOSAL OF LEAD PAINT CLEANING RESIDUES TO DEAL WITH THE PRESENCE OF LEAD ON THIS PROJECT.

THE STRUCTURAL STEEL SHALL BE CLEANED AND PAINTED AS SPECIFIED IN THE SPECIAL PROVISIONS.

ONLY THE STRUCTURAL STEEL IS TO BE PAINTED. ALL OTHER SURFACES WILL BE PROTECTED FROM BEING PAINTED. ALL PAINT AND OVERSPRAY WILL BE REMOVED AT THE CONTRACTOR'S EXPENSE.

ALL TRASH AND PAINTING DEBRIS, EXCLUDING WASTE BARRELS OR ROLL-OFF DUMPSTERS, SHALL BE REMOVED BEFORE BEGINNING WORK AT ANOTHER LOCATION.

THE SSPC-QP1 AND QP2 PAINTING CONTRACTOR CERTIFICATIONS WILL BE REQUIRED FOR THIS CONTRACT.

*05 CM BRIDGE PAINTING 2015-1
**CHAMPAIGN & DOUGLAS

| | | | | | | | | | | | |
|--|----------------------------|------------|-----------|---|--|--------------------|-----------|--------|--------------|-----------|----|
| FILE NAME * | USER NAME * eocobassf | DESIGNED - | REVISED - | STATE OF ILLINOIS DEPARTMENT OF TRANSPORTATION | INDEX OF SHEETS, HIGHWAY STANDARDS, & GENERAL NOTES | P.A. RTE. | SECTION | COUNTY | TOTAL SHEETS | SHEET NO. | |
| c:\p-work\wisdat\coembassf\02411219\05 | 0479-shr-p1en.dgn | DRAWN - | REVISED - | | | VAR. | - | ** | 19 | 2 | |
| | PLOT SCALE * 48.0000 / in. | CHECKED - | REVISED - | | | CONTRACT NO. 70A79 | | | | | |
| | PLOT DATE * 3/18/2015 | DATE - | REVISED - | | | SCALE: | SHEET NO. | OF | SHEETS | STA. | TO |

ILLINOIS FED. AID PROJECT

**LOCATION #1
DESCRIPTION**

DESCRIPTION: F.A.S. 526 OVER E. BRANCH EMBARRAS RIVER 2 MI. E OF BONGARD
 COUNTY: CHAMPAIGN
 ROUTE: F.A.S. 526
 MARKED ROUTE: F.A.S. 526
 SECTION: 58 BR
 STRUCTURE NO.: 010-0240
 TYPE OF STRUC.: 3 SPAN - 4 BEAM LINES WEATHERING STEEL

CLEANING AND PAINTING OF THE EXISTING STRUCTURAL STEEL INCLUDING DECK EXTENSION DRAINS SHALL BE AS SPECIFIED IN THE SPECIAL PROVISIONS FOR "CLEANING AND PAINTING EXISTING STEEL STRUCTURES." ALL BEAMS, BEARINGS, DIAPHRAGMS AND OTHER STRUCTURAL STEEL IN SPANS 1 AND 3 MEASURED SIXTEEN (16) FT. ALONG BEAM LINES FROM EACH END OF THE STRUCTURE SHALL BE CLEANED PER NEAR WHITE BLASTING SSPC-SP10.

THE EXISTING STRUCTURAL STEEL COATING CONTAINS LEAD. THE CONTRACTOR SHALL FOLLOW THE GUIDE BRIDGE SPECIAL PROVISIONS FOR CONTAINMENT AND DISPOSAL OF LEAD PAINT CLEANING RESIDUES TO DEAL WITH THE PRESENCE OF LEAD ON THIS STRUCTURE.

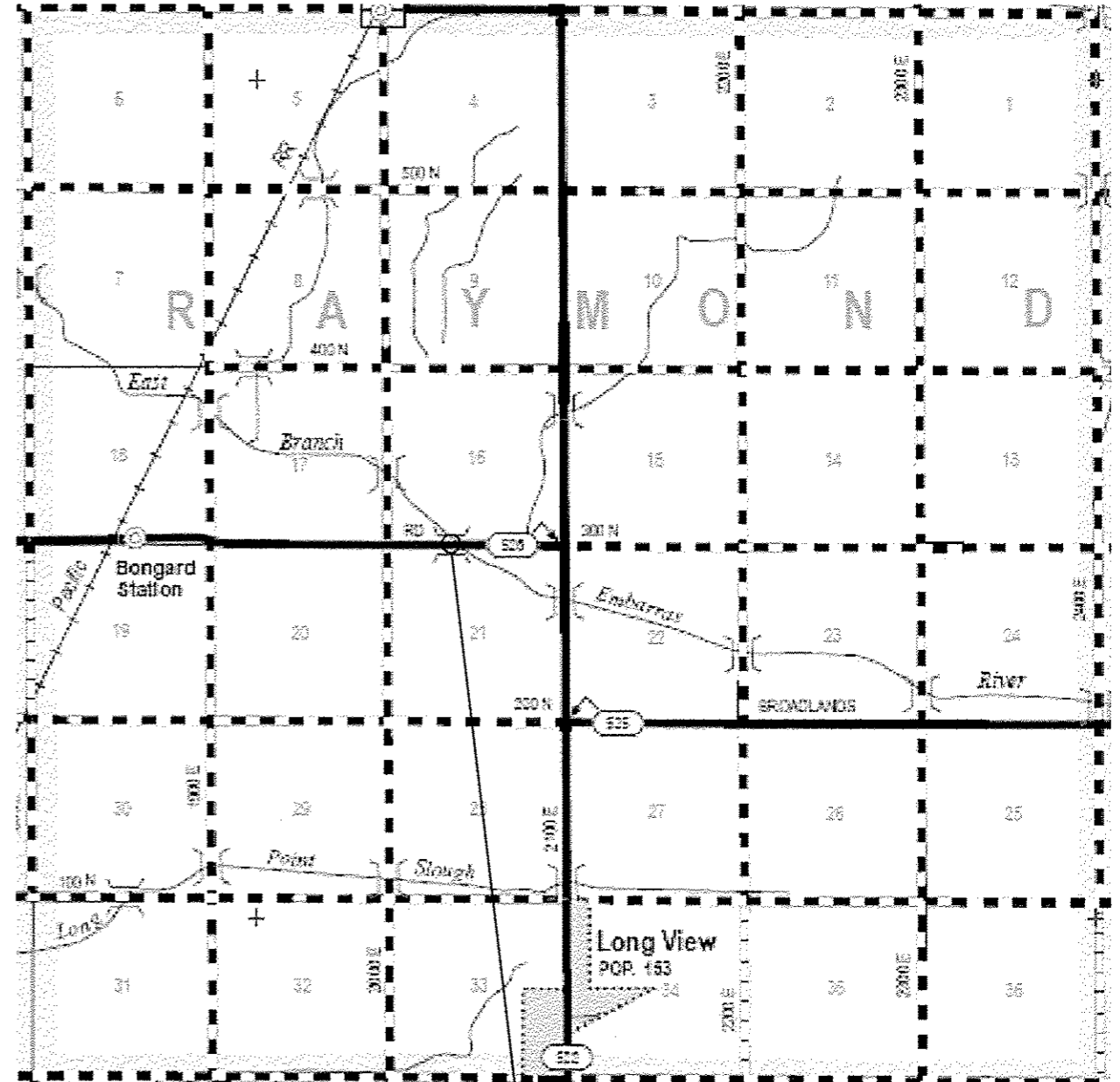
THE DESIGNATED AREAS CLEANED PER NEAR WHITE BLAST CLEANING SSPC-SP10 SHALL BE PAINTED ACCORDING TO THE REQUIREMENTS OF PAINT SYSTEM 1-OZ/E/U. THE COLOR OF THE FINAL FINISH COAT FOR ALL INTERIOR STEEL SURFACES SHALL BE GRAY, MUNSELL NO. 5B 7/1. THE COLOR OF THE FINAL FINISH COAT FOR THE EXTERIOR AND BOTTOM FLANGE OF THE FASCIA BEAMS SHALL BE REDDISH BROWN, MUNSELL NO. 2.5YR 3/4.

A MINIMUM OF TWO (2) HIGH VOLUME AIR MONITORS WILL BE REQUIRED TO MONITOR AIR QUALITY DURING DUST PRODUCING OPERATIONS AT THIS SITE. SEE SPECIAL PROVISIONS FOR CONTAINMENT AND DISPOSAL OF LEAD PAINT CLEANING RESIDUES.

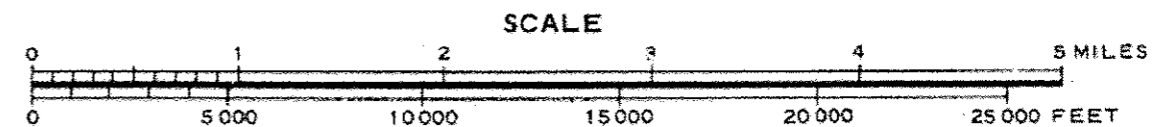
NOTE: DECK DRAINS WITHIN THE PAINTING LIMITS DESCRIBED ABOVE ARE TO BE PAINTED AT NO ADDITIONAL COST.

UPON COMPLETION OF THE WORK, ALL SURPLUS AND USELESS MATERIALS, ETC., SHALL BE REMOVED FROM WITHIN THE LIMITS OF THE RIGHT OF WAY. ALL AREAS THAT ARE DISTURBED DURING EXECUTION OF THIS CONTRACT SHALL BE RESTORED TO ITS ORIGINAL CONDITION. ALL LABOR, EQUIPMENT AND MATERIALS REQUIRED IN RESTORING THE WORK AREAS SHALL NOT BE PAID FOR SEPARATELY BUT SHALL BE INCLUDED IN THE COST OF THE CONSTRUCTION ITEMS INVOLVED.

**LOCATION MAP #1
CHAMPAIGN COUNTY**



LOCATION 1
S.N. 010-0240



•05 CM BRIDGE PAINTING 2015-1
 ••CHAMPAIGN & DOUGLAS

| | | | |
|---|----------------------|------------|-----------|
| FILE NAME c:\p\work\l\w\dot\com\essf\0411219\05 | USER NAME z\com\essf | DESIGNED - | REVISED - |
| 0479-shr\alan.dgn | | DRAWN - | REVISED - |
| PLOT SCALE = 48,0000 / / in. | | CHECKED - | REVISED - |
| PLOT DATE = 3/18/2015 | | DATE - | REVISED - |

STATE OF ILLINOIS
DEPARTMENT OF TRANSPORTATION

LOCATION #1 DESCRIPTION AND LOCATION MAP

SCALE: SHEET NO. OF SHEETS STA. TO STA.

| F.A. RTE. | SECTION | COUNTY | TOTAL SHEETS | SHEET NO. |
|--------------------|---------|--------|---------------------------|-----------|
| VAR. | . | .. | 19 | 3 |
| CONTRACT NO. 70A79 | | | ILLINOIS FED. AID PROJECT | |

**LOCATION #2
DESCRIPTION**

DESCRIPTION: F.A.S. 525 OVER E. BRANCH EMBARRAS RIVER IN BROADLANDS
 COUNTY: CHAMPAIGN
 ROUTE: F.A.S. 525
 MARKED ROUTE: F.A.S. 525
 SECTION: 81BR
 STRUCTURE NO.: 010-0250
 TYPE OF STRUC.: 3 SPAN - 4 BEAM LINES WEATHERING STEEL

CLEANING AND PAINTING OF THE EXISTING STRUCTURAL STEEL INCLUDING DECK EXTENSION DRAINS SHALL BE AS SPECIFIED IN THE SPECIAL PROVISIONS FOR "CLEANING AND PAINTING EXISTING STEEL STRUCTURES." ALL BEAMS, BEARINGS, DIAPHRAGMS AND OTHER STRUCTURAL STEEL IN SPANS 1 AND 3 MEASURED SIX (6) FT. ALONG BEAM LINES FROM EACH END OF THE STRUCTURE SHALL BE CLEANED PER NEAR WHITE BLASTING SSPC-SP10.

THE EXISTING STRUCTURAL STEEL COATING CONTAINS LEAD. THE CONTRACTOR SHALL FOLLOW THE GUIDE BRIDGE SPECIAL PROVISIONS FOR CONTAINMENT AND DISPOSAL OF LEAD PAINT CLEANING RESIDUES TO DEAL WITH THE PRESENCE OF LEAD ON THIS STRUCTURE.

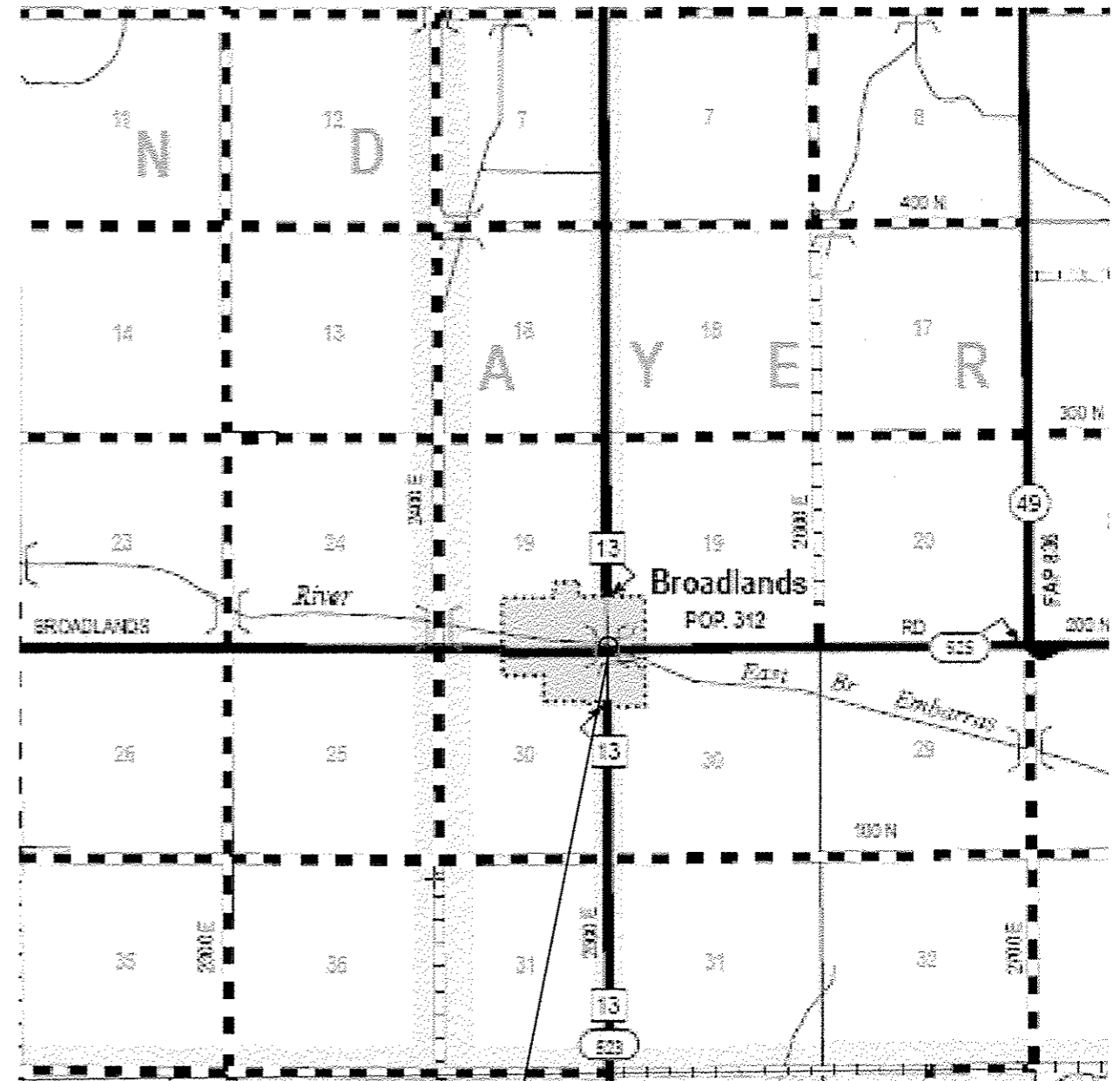
THE DESIGNATED AREAS CLEANED PER NEAR WHITE BLAST CLEANING SSPC-SP10 SHALL BE PAINTED ACCORDING TO THE REQUIREMENTS OF PAINT SYSTEM 1- OZ/E/U. THE COLOR OF THE FINAL FINISH COAT FOR ALL INTERIOR STEEL SURFACES SHALL BE GRAY, MUNSELL NO. 5B 7/1. THE COLOR OF THE FINAL FINISH COAT FOR THE EXTERIOR AND BOTTOM FLANGE OF THE FASCIA BEAMS SHALL BE REDDISH BROWN, MUNSELL NO. 2.5YR 3/4.

A MINIMUM OF FOUR (4) HIGH VOLUME AIR MONITORS WILL BE REQUIRED TO MONITOR AIR QUALITY DURING DUST PRODUCING OPERATIONS AT THIS SITE. SEE SPECIAL PROVISIONS FOR CONTAINMENT AND DISPOSAL OF LEAD PAINT CLEANING RESIDUES.

NOTE: DECK DRAINS WITHIN THE PAINTING LIMITS DESCRIBED ABOVE ARE TO BE PAINTED AT NO ADDITIONAL COST.

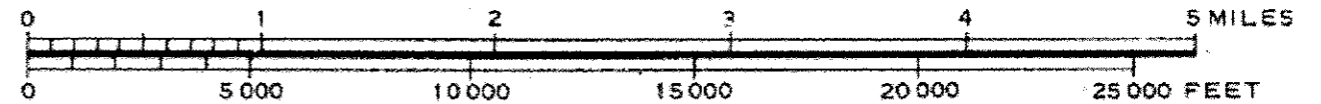
UPON COMPLETION OF THE WORK, ALL SURPLUS AND USELESS MATERIALS, ETC., SHALL BE REMOVED FROM WITHIN THE LIMITS OF THE RIGHT OF WAY. ALL AREAS THAT ARE DISTURBED DURING EXECUTION OF THIS CONTRACT SHALL BE RESTORED TO ITS ORIGINAL CONDITION. ALL LABOR, EQUIPMENT AND MATERIALS REQUIRED IN RESTORING THE WORK AREAS SHALL NOT BE PAID FOR SEPARATELY BUT SHALL BE INCLUDED IN THE COST OF THE CONSTRUCTION ITEMS INVOLVED.

**LOCATION MAP #2
CHAMPAIGN COUNTY**



LOCATION 2
S.N. 010-0250

SCALE



*05 CM BRIDGE PAINTING 2015-1
**CHAMPAIGN & DOUGLAS

| | | | |
|--|----------------------|------------|-----------|
| FILE NAME = | USER NAME = coombesf | DESIGNED - | REVISED - |
| ca:\pvc_work\paxidot\coombesf\08411219\052079-ahf-plan.dgn | | DRAWN - | REVISED - |
| | | CHECKED - | REVISED - |
| | | DATE - | REVISED - |
| | | | |

STATE OF ILLINOIS
DEPARTMENT OF TRANSPORTATION

LOCATION #2 DESCRIPTION AND LOCATION MAP

| F.A. RTE. VAR. | SECTION | COUNTY | TOTAL SHEETS | SHEET NO. |
|---------------------------|---------|--------|--------------|-----------|
| | | ** | 19 | 4 |
| CONTRACT NO. 70A79 | | | | |
| ILLINOIS FED. AID PROJECT | | | | |

SCALE: SHEET NO. OF SHEETS STA. TO STA.

**LOCATION #3
DESCRIPTION**

DESCRIPTION: IL ROUTE 130 OVER EMBARRAS RIVER 1.5 MI. SOUTH OF CAMARGO
 COUNTY: DOUGLAS
 ROUTE: F.A.P. 820 (IL 130)
 MARKED ROUTE: IL 130
 SECTION: 25 BR
 STRUCTURE NO.: 021-0030
 TYPE OF STRUC.: 3 SPAN - 5 BEAM LINES PAINTED STEEL

CLEANING AND PAINTING OF THE EXISTING STRUCTURAL STEEL INCLUDING DECK EXTENSION DRAINS SHALL BE AS SPECIFIED IN THE SPECIAL PROVISIONS FOR "CLEANING AND PAINTING EXISTING STEEL STRUCTURES." ALL BEAMS, BEARINGS, DIAPHRAGMS AND OTHER STRUCTURAL STEEL IN SPANS 1 AND 3 MEASURED NINE (9) FT. ALONG BEAM LINES FROM EACH END OF THE STRUCTURE SHALL BE CLEANED PER NEAR WHITE BLASTING SSPC-SP10.

THE EXISTING STRUCTURAL STEEL COATING CONTAINS LEAD. THE CONTRACTOR SHALL FOLLOW THE GUIDE BRIDGE SPECIAL PROVISIONS FOR CONTAINMENT AND DISPOSAL OF LEAD PAINT CLEANING RESIDUES TO DEAL WITH THE PRESENCE OF LEAD ON THIS STRUCTURE.

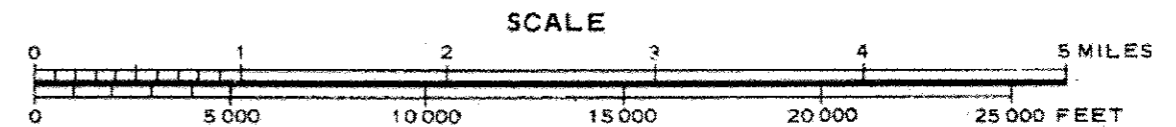
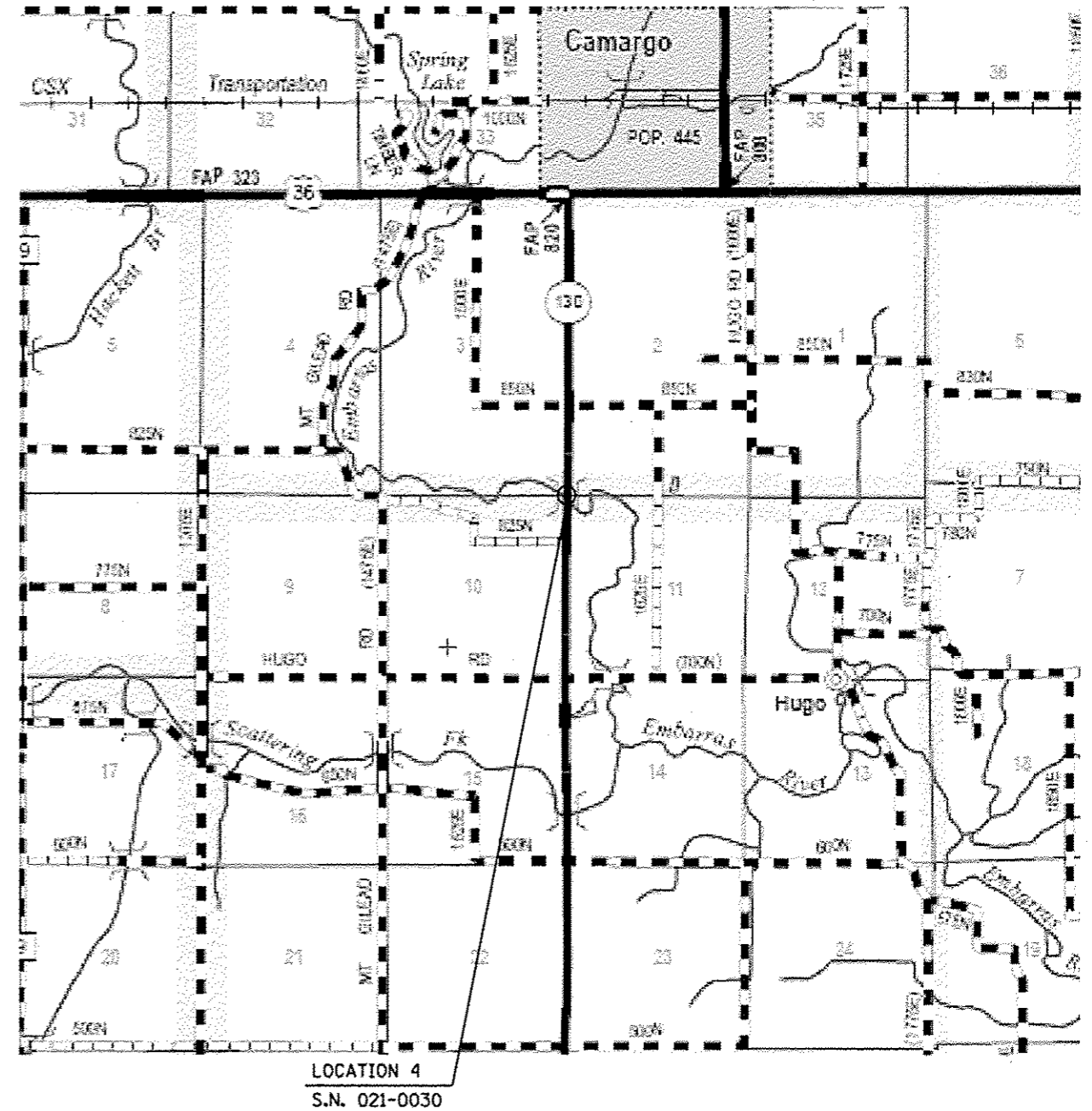
THE DESIGNATED AREAS CLEANED PER NEAR WHITE BLAST CLEANING SSPC-SP10 SHALL BE PAINTED ACCORDING TO THE REQUIREMENTS OF PAINT SYSTEM 1 - OZ/E/U. THE COLOR OF THE FINAL FINISH COAT FOR ALL INTERIOR STEEL SURFACES SHALL BE GRAY, MUNSELL NO. 5B 7/1. THE COLOR OF THE FINAL FINISH COAT FOR THE EXTERIOR AND BOTTOM FLANGE OF THE FASCIA BEAMS SHALL BE INTERSTATE GREEN, MUNSELL NO. 7.5G 4/8.

A MINIMUM OF TWO (2) HIGH VOLUME AIR MONITORS WILL BE REQUIRED TO MONITOR AIR QUALITY DURING DUST PRODUCING OPERATIONS AT THIS SITE. SEE SPECIAL PROVISIONS FOR CONTAINMENT AND DISPOSAL OF LEAD PAINT CLEANING RESIDUES.

NOTE: DECK DRAINS WITHIN THE PAINTING LIMITS DESCRIBED ABOVE ARE TO BE PAINTED AT NO ADDITIONAL COST.

UPON COMPLETION OF THE WORK, ALL SURPLUS AND USELESS MATERIALS, ETC., SHALL BE REMOVED FROM WITHIN THE LIMITS OF THE RIGHT OF WAY. ALL AREAS THAT ARE DISTURBED DURING EXECUTION OF THIS CONTRACT SHALL BE RESTORED TO ITS ORIGINAL CONDITION. ALL LABOR, EQUIPMENT AND MATERIALS REQUIRED IN RESTORING THE WORK AREAS SHALL NOT BE PAID FOR SEPARATELY BUT SHALL BE INCLUDED IN THE COST OF THE CONSTRUCTION ITEMS INVOLVED.

**LOCATION MAP #3
DOUGLAS COUNTY**



*05 CM BRIDGE PAINTING 2015-1
 **CHAMPAIGN & DOUGLAS

| | | | | | | | | | | |
|----------------------------------|-----------------------------|------------|-----------|---|---|---------------------|---------|--------------|---------------------------|-----------|
| FILE NAME = | USER NAME = eobmbsmf | DESIGNED - | REVISED - | STATE OF ILLINOIS DEPARTMENT OF TRANSPORTATION | LOCATION #3 DESCRIPTION AND LOCATION MAP | F.A. RTE. | SECTION | COUNTY | TOTAL SHEETS | SHEET NO. |
| o:\work\p\id\oobmbsmf\0811219\05 | 021-0030.dgn | DRAWN - | REVISED - | | | VAR. | . | ** | 19 | 5 |
| | PLOT SCALE = 48.2882' / in. | CHECKED - | REVISED - | | | | | | CONTRACT NO. 70A79 | |
| | PLOT DATE = 3/18/2015 | DATE - | REVISED - | | | | | | ILLINOIS FED. AID PROJECT | |
| | | | | | SCALE: | SHEET NO. OF SHEETS | | STA. TO STA. | | |

**LOCATION #4
DESCRIPTION**

DESCRIPTION: IL ROUTE 130 OVER EMBARRAS RIVER 2 MI. SOUTH OF VILLA GROVE
 COUNTY: DOUGLAS
 ROUTE: F.A.P. 808 (IL 130)
 MARKED ROUTE: IL 130
 SECTION: 10 BR
 STRUCTURE NO.: 021-0029
 TYPE OF STRUC.: 5 SPAN - 6 BEAM LINES WEATHERING STEEL

CLEANING AND PAINTING OF THE EXISTING STRUCTURAL STEEL INCLUDING DECK EXTENSION DRAINS SHALL BE AS SPECIFIED IN THE SPECIAL PROVISIONS FOR "CLEANING AND PAINTING EXISTING STEEL STRUCTURES." ALL BEAMS, BEARINGS, DIAPHRAGMS AND OTHER STRUCTURAL STEEL IN SPANS 1 AND 5 AT THE DISTANCES LISTED BELOW ALONG BEAM LINES FROM EACH END OF THE STRUCTURE SHALL BE CLEANED PER NEAR WHITE BLASTING SSPC-SP10:

- SOUTH ABUTMENT (SPAN 1) - WEST BEAM #1 - TWENTY (20) FT.
- SOUTH ABUTMENT (SPAN 1) - EAST FIVE BEAMS #2, #3, #4, #5, & #6 - NINE (9) FT.
- NORTH ABUTMENT (SPAN 5) - WEST BEAM #1 - FOURTEEN (14) FT.
- NORTH ABUTMENT (SPAN 5) - EAST FIVE BEAMS #2, #3, #4, #5, & #6 - SIX (6) FT.

THE EXISTING STRUCTURAL STEEL COATING CONTAINS LEAD. THE CONTRACTOR SHALL FOLLOW THE GUIDE BRIDGE SPECIAL PROVISIONS FOR CONTAINMENT AND DISPOSAL OF LEAD PAINT CLEANING RESIDUES TO DEAL WITH THE PRESENCE OF LEAD ON THIS STRUCTURE.

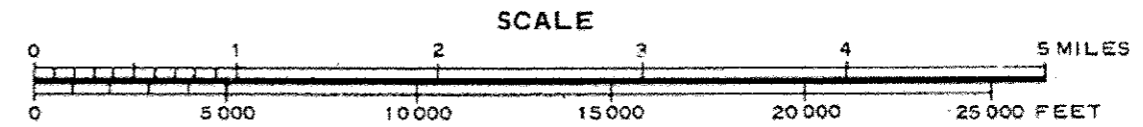
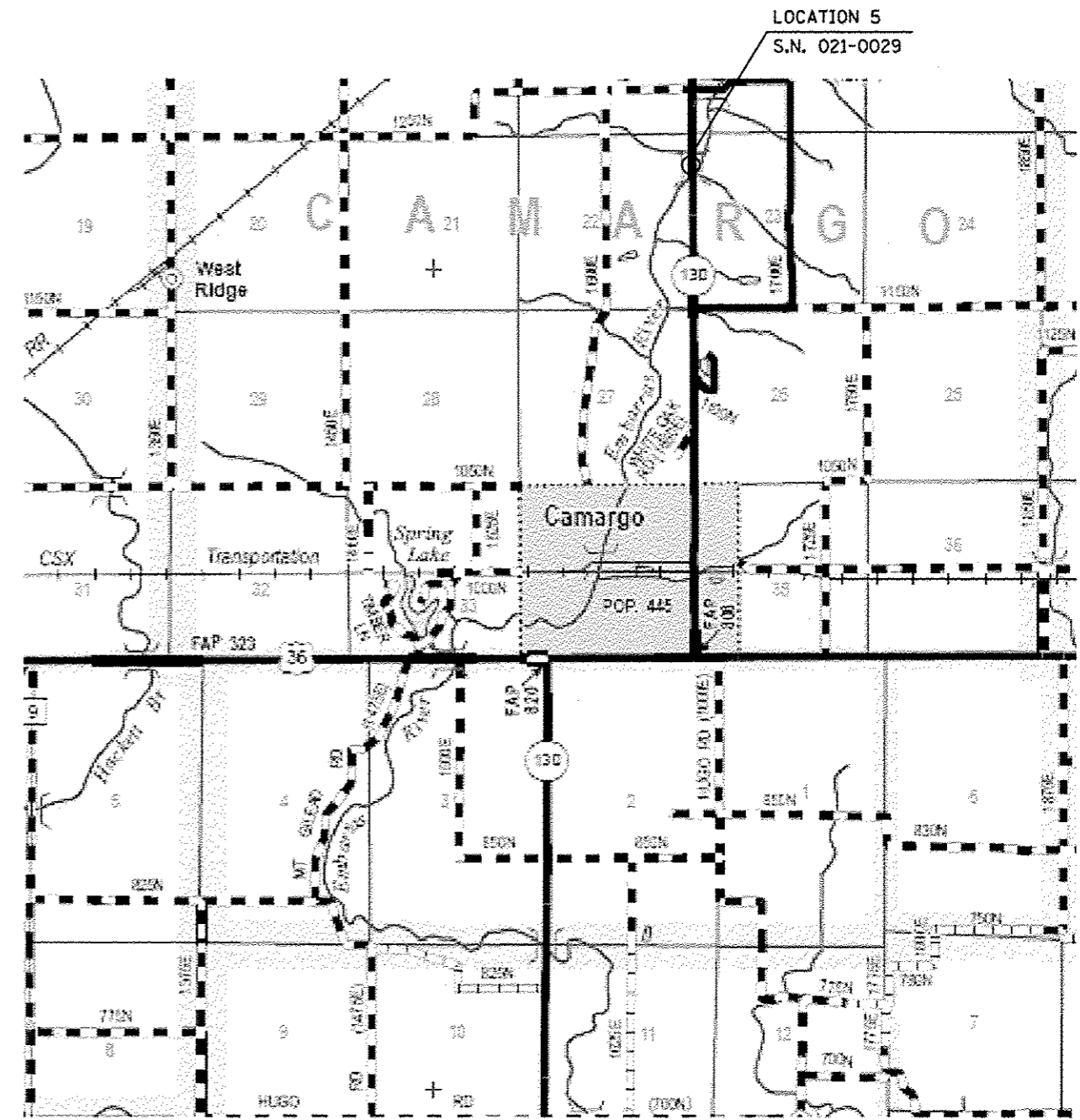
THE DESIGNATED AREAS CLEANED PER NEAR WHITE BLAST CLEANING SSPC-SP10 SHALL BE PAINTED ACCORDING TO THE REQUIREMENTS OF PAINT SYSTEM 1 - OZ/E/U. THE COLOR OF THE FINAL FINISH COAT FOR ALL INTERIOR STEEL SURFACES SHALL BE GRAY, MUNSELL NO. 5B 7/1. THE COLOR OF THE FINAL FINISH COAT FOR THE EXTERIOR AND BOTTOM FLANGE OF THE FASCIA BEAMS SHALL BE REDDISH BROWN, MUNSELL NO. 2.5YR 3/4.

A MINIMUM OF TWO (2) HIGH VOLUME AIR MONITORS WILL BE REQUIRED TO MONITOR AIR QUALITY DURING DUST PRODUCING OPERATIONS AT THIS SITE. SEE SPECIAL PROVISIONS FOR CONTAINMENT AND DISPOSAL OF LEAD PAINT CLEANING RESIDUES.

NOTE: DECK DRAINS WITHIN THE PAINTING LIMITS DESCRIBED ABOVE ARE TO BE PAINTED AT NO ADDITIONAL COST.

UPON COMPLETION OF THE WORK, ALL SURPLUS AND USELESS MATERIALS, ETC., SHALL BE REMOVED FROM WITHIN THE LIMITS OF THE RIGHT OF WAY. ALL AREAS THAT ARE DISTURBED DURING EXECUTION OF THIS CONTRACT SHALL BE RESTORED TO ITS ORIGINAL CONDITION. ALL LABOR, EQUIPMENT AND MATERIALS REQUIRED IN RESTORING THE WORK AREAS SHALL NOT BE PAID FOR SEPARATELY BUT SHALL BE INCLUDED IN THE COST OF THE CONSTRUCTION ITEMS INVOLVED.

**LOCATION MAP #4
DOUGLAS COUNTY**



*05 CM BRIDGE PAINTING 2015-1
 **CHAMPAIGN & DOUGLAS

| | | | | | | | | | | |
|---|-----------------------|------------|---------------------------|---|---|-----------|-----------|--------|--------------|-----------|
| FILE NAME = | USER NAME = doombossf | DESIGNED - | REVISED - | STATE OF ILLINOIS DEPARTMENT OF TRANSPORTATION | LOCATION #4 DESCRIPTION AND LOCATION MAP | F.A. RTE. | SECTION | COUNTY | TOTAL SHEETS | SHEET NO. |
| o:\p\work\pvidat\doombossf\08411214\052679\ahc-plan.dgn | DRAWN - | REVISED - | VAR. | | | * | ** | 19 | 6 | |
| PLOT SCALE = 48.2028' / 1" = | CHECKED - | REVISED - | CONTRACT NO. 70A79 | | | | | | | |
| PLOT DATE = 3/10/2015 | DATE - | REVISED - | ILLINOIS FED. AID PROJECT | | | | | | | |
| | | | | | SCALE: | SHEET NO. | OF SHEETS | STA. | TO STA. | |

SUMMARY OF QUANTITIES

LOCATION: 01 02 01 02

| | | | |
|---------------|-----------------|---------------|---------------|
| LOC. NO. 1 | LOC. NO. 2 | LOC. NO. 3 | LOC. NO. 4 |
| FAS 526 | FAS 525 | FAP 820 | FAP 808 |
| (BONGARD RD) | (BROADLANDS RD) | (IL 130) | (IL 130) |
| S.N. 010-0240 | S.N. 010-0250 | S.N. 021-0030 | S.N. 021-0029 |
| CHAMPAIGN | CHAMPAIGN | DOUGLAS | DOUGLAS |
| COUNTY | COUNTY | COUNTY | COUNTY |
| RURAL | RURAL | RURAL | RURAL |
| 100 % STATE | 100 % STATE | 100 % STATE | 100 % STATE |
| 0014 | 0014 | 0014 | 0014 |

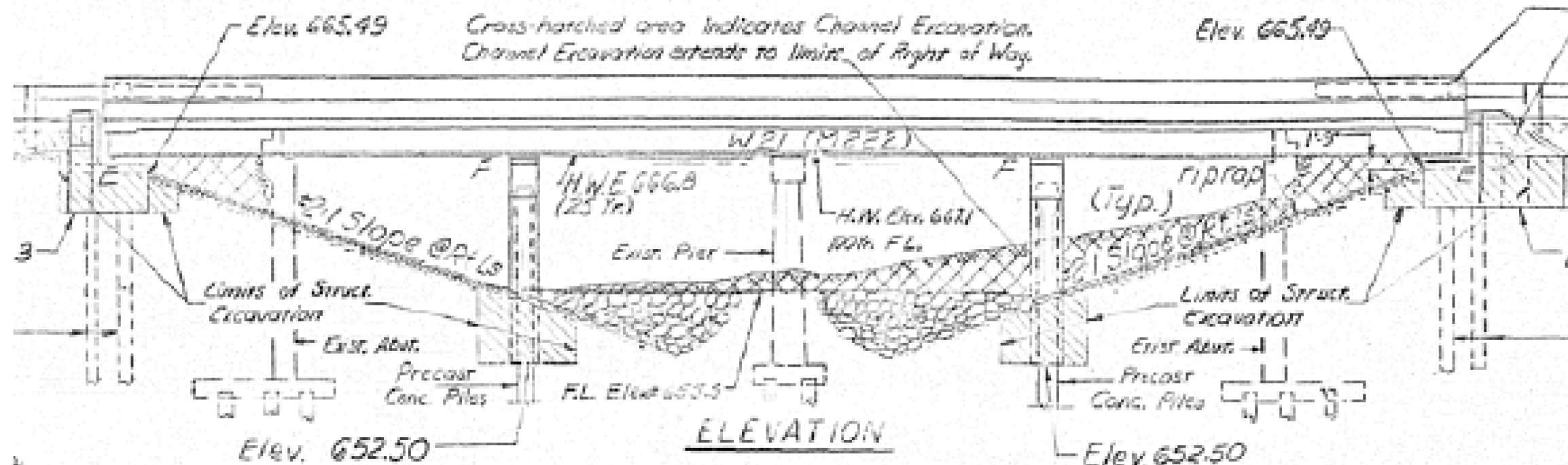
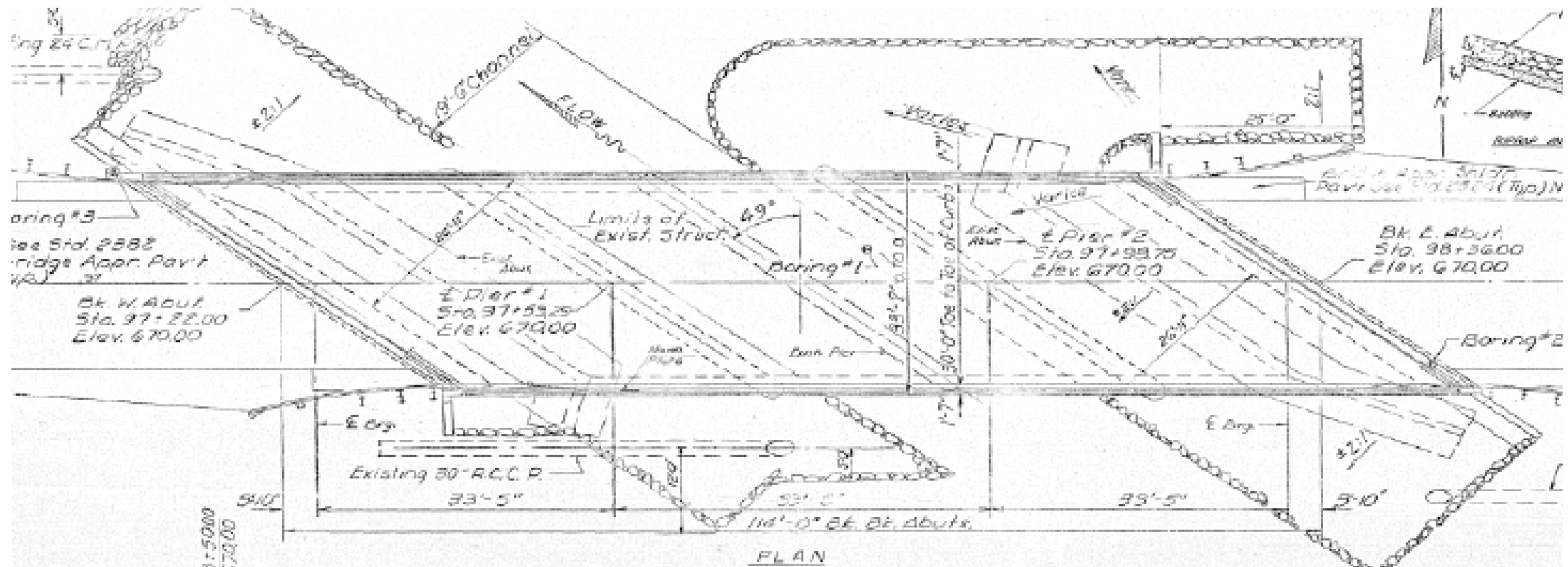
| CODE NO. | DESCRIPTION | UNIT | CONSTRUCTION TYPE CODE: | | | | |
|----------|--|-------|-------------------------|----------|----------|----------|-----|
| | | | TOTAL QUANTITY | QUANTITY | QUANTITY | QUANTITY | |
| 67100100 | MOBILIZATION | L SUM | 1.0 | 0.3 | 0.3 | 0.2 | 0.2 |
| 70100450 | TRAFFIC CONTROL AND PROTECTION STANDARD 701201 | L SUM | 1.0 | 0.3 | 0.3 | 0.2 | 0.2 |
| 70102620 | TRAFFIC CONTROL AND PROTECTION STANDARD 701501 | L SUM | 1.0 | | 1.0 | | |
| Z0007101 | CONTAINMENT AND DISPOSAL OF LEAD PAINT CLEANING RESIDUES NO. 1 | L SUM | 1.0 | 1.0 | | | |
| Z0007102 | CONTAINMENT AND DISPOSAL OF LEAD PAINT CLEANING RESIDUES NO. 2 | L SUM | 1.0 | | 1.0 | | |
| Z0007103 | CONTAINMENT AND DISPOSAL OF LEAD PAINT CLEANING RESIDUES NO. 3 | L SUM | 1.0 | | | 1.0 | |
| Z0007104 | CONTAINMENT AND DISPOSAL OF LEAD PAINT CLEANING RESIDUES NO. 4 | L SUM | 1.0 | | | | 1.0 |
| Z0010501 | CLEANING AND PAINTING STEEL BRIDGE NO. 1 | L SUM | 1.0 | 1.0 | | | |
| Z0010502 | CLEANING AND PAINTING STEEL BRIDGE NO. 2 | L SUM | 1.0 | | 1.0 | | |
| Z0010503 | CLEANING AND PAINTING STEEL BRIDGE NO. 3 | L SUM | 1.0 | | | 1.0 | |
| Z0010504 | CLEANING AND PAINTING STEEL BRIDGE NO. 4 | L SUM | 1.0 | | | | 1.0 |

//

•05 CM BRIDGE PAINTING 2015-1
••CHAMPAIGN & DOUGLAS

| | | | | | | | | | | | | | |
|--------------------------------------|----------------------------|------------|-----------|---|---|--|--|--|--------------------|---------|--------|--------------|-----------|
| FILE NAME * | USER NAME # 000bessf | DESIGNED - | REVISED - | STATE OF ILLINOIS DEPARTMENT OF TRANSPORTATION | SUMMARY OF QUANTITIES | | | | F.A. RTE. | SECTION | COUNTY | TOTAL SHEETS | SHEET NO. |
| c:\p\work\p\dat\000bessf\02411219\05 | 0479-shr-plan.dgn | DRAWN - | REVISED - | | | | | | VAR. | - | ** | 19 | 7 |
| | PLOT SCALE = 40.0000' / 1" | CHECKED - | REVISED - | | SCALE: SHEET NO. OF SHEETS STA. TO STA. | | | | CONTRACT NO. 70A79 | | | | |
| | PLOT DATE = 3/18/2015 | DATE - | REVISED - | | ILLINOIS FED. AID PROJECT | | | | | | | | |

FOR INFORMATION ONLY
S.N. 010-0240



FOR INFORMATION ONLY

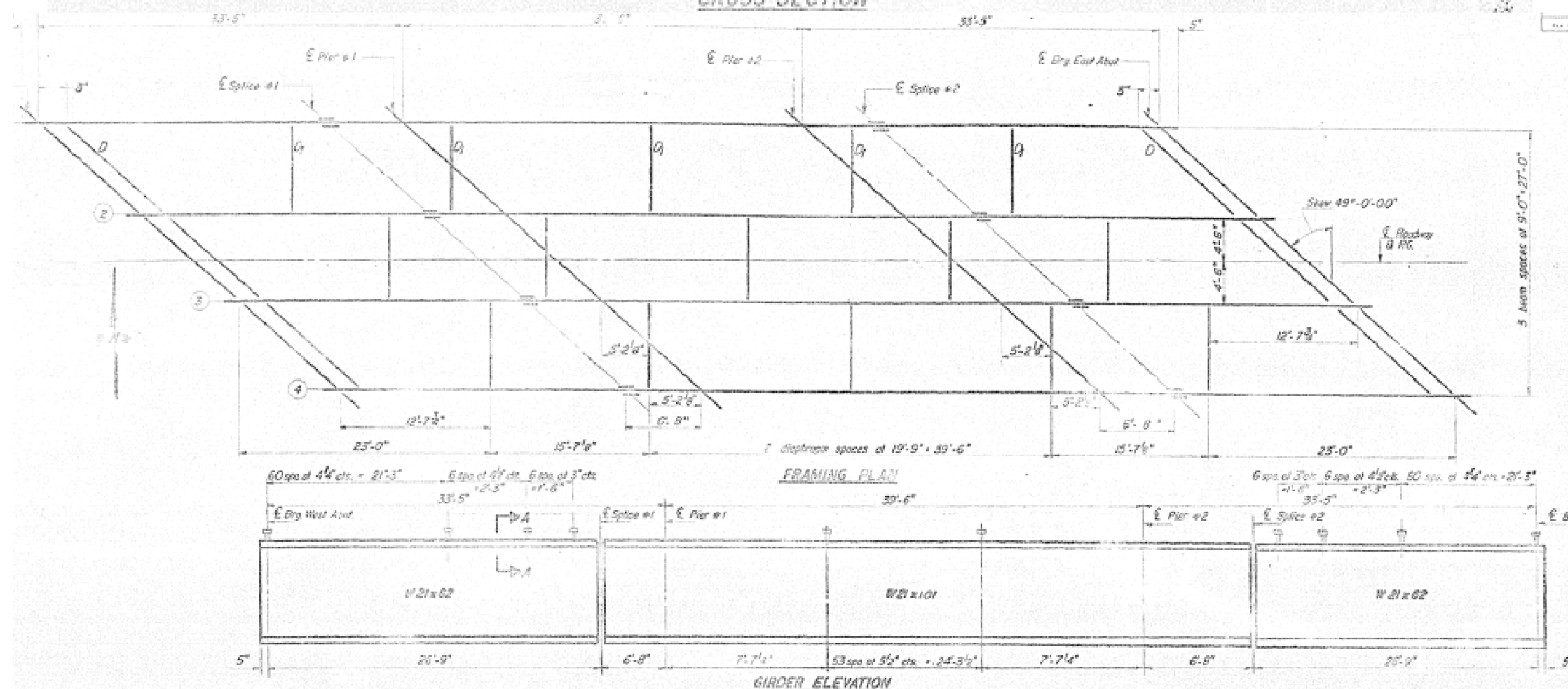
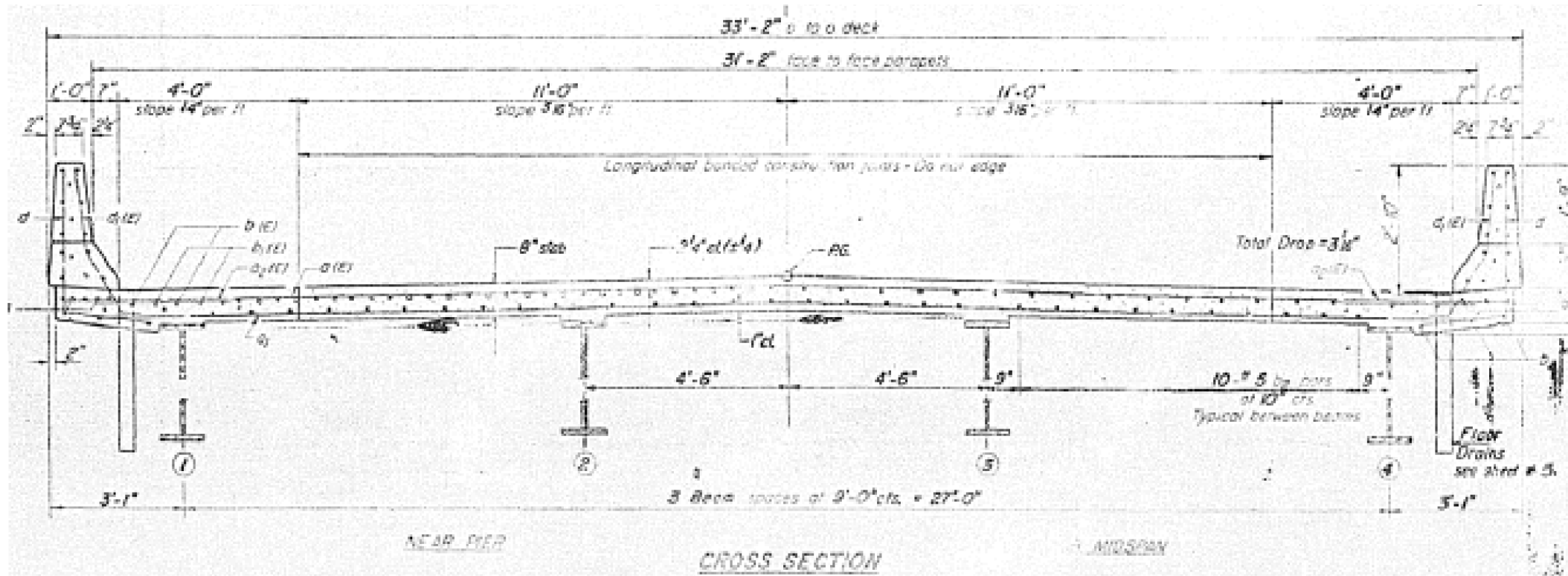
| | | | |
|---|-----------------------|------------|-----------|
| FILE NAME : | USER NAME : coombessf | DESIGNED - | REVISED - |
| et:\pwork\pwork\coombessf\d0411219\0570A79-shr-plan.dgn | | DRAWN - | REVISED - |
| | | CHECKED - | REVISED - |
| | | DATE - | REVISED - |

STATE OF ILLINOIS
DEPARTMENT OF TRANSPORTATION

| | | | |
|-------------------------------|-----------|-----------|--------------|
| LOCATION #1 STRUCTURE DETAILS | | | |
| SCALE: | SHEET NO. | OF SHEETS | STA. TO STA. |

| | | | | |
|--|---------|--------|--------------|-----------|
| *05 CM BRIDGE PAINTING 2015-1 **CHAMPAIGN & DOUGLAS | | | | |
| F.A. RTE. | SECTION | COUNTY | TOTAL SHEETS | SHEET NO. |
| VAR. | . | ** | 19 | 8 |
| CONTRACT NO. 70A79 | | | | |
| ILLINOIS FED. AID PROJECT | | | | |

**FOR INFORMATION ONLY
S.N. 010-0240**



FOR INFORMATION ONLY

•05 CM BRIDGE PAINTING 2015-1
•CHAMPAIGN & DOUGLAS

| | | | |
|---|-----------------------|------------|-----------|
| FILE NAME = | USER NAME = coombessf | DESIGNED - | REVISED - |
| ct:\pw\work\p1dot\coombessf\d0411219\0570A79-shr-plan.dgn | | DRAWN - | REVISED - |
| | | CHECKED - | REVISED - |
| | | DATE - | REVISED - |
| | | | |

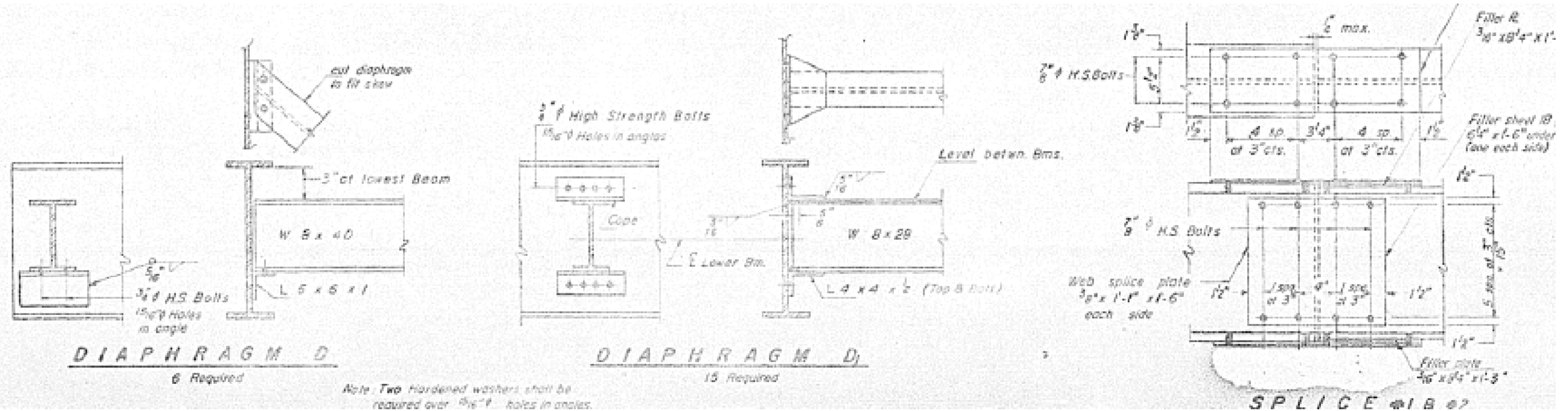
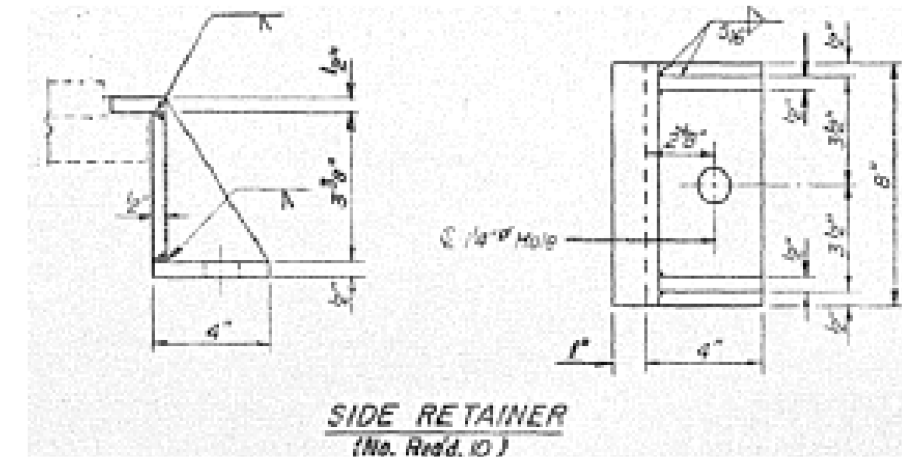
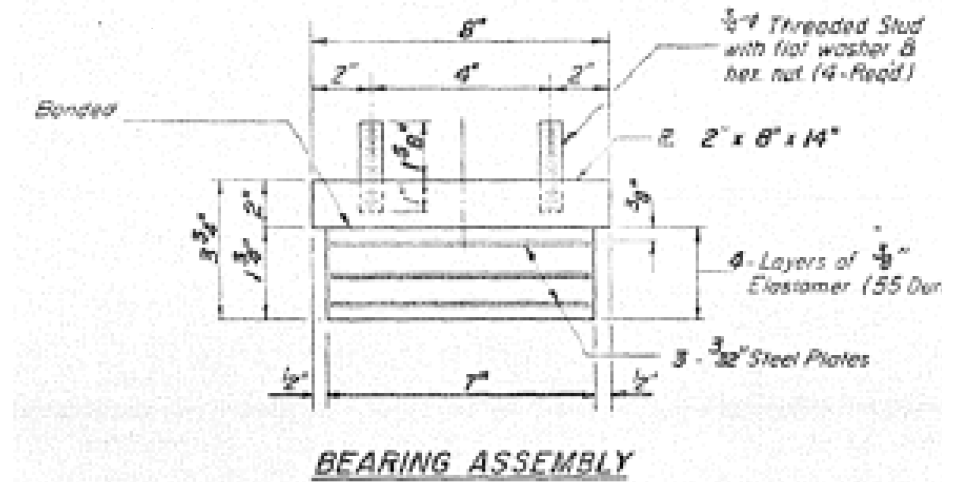
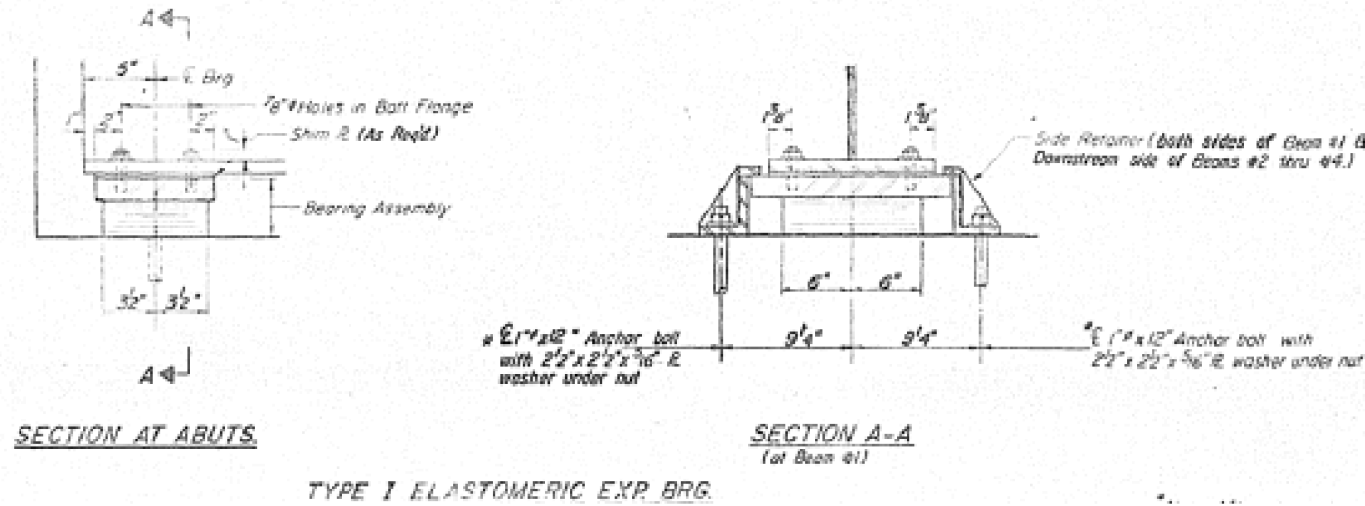
**STATE OF ILLINOIS
DEPARTMENT OF TRANSPORTATION**

LOCATION #1 STRUCTURE DETAILS

SCALE: SHEET NO. OF SHEETS STA. TO STA.

| | | | | |
|---------------------------|---------|--------|--------------|-----------|
| F.A. RTE. | SECTION | COUNTY | TOTAL SHEETS | SHEET NO. |
| VAR. | . | ** | 19 | 9 |
| CONTRACT NO. 70A79 | | | | |
| ILLINOIS FED. AID PROJECT | | | | |

FOR INFORMATION ONLY
S.N. 010-0240



FOR INFORMATION ONLY

| | | | |
|--|-----------------------|------------|-----------|
| FILE NAME - | USER NAME = coombessf | DESIGNED - | REVISED - |
| et:\pw\work\p\midot\coombessf\d0411219\0570A79-sh-t-plan.dgn | | DRAWN - | REVISED - |
| PLOT SCALE = 48.0000 ' / in. | | CHECKED - | REVISED - |
| PLOT DATE = 3/18/2015 | | DATE - | REVISED - |

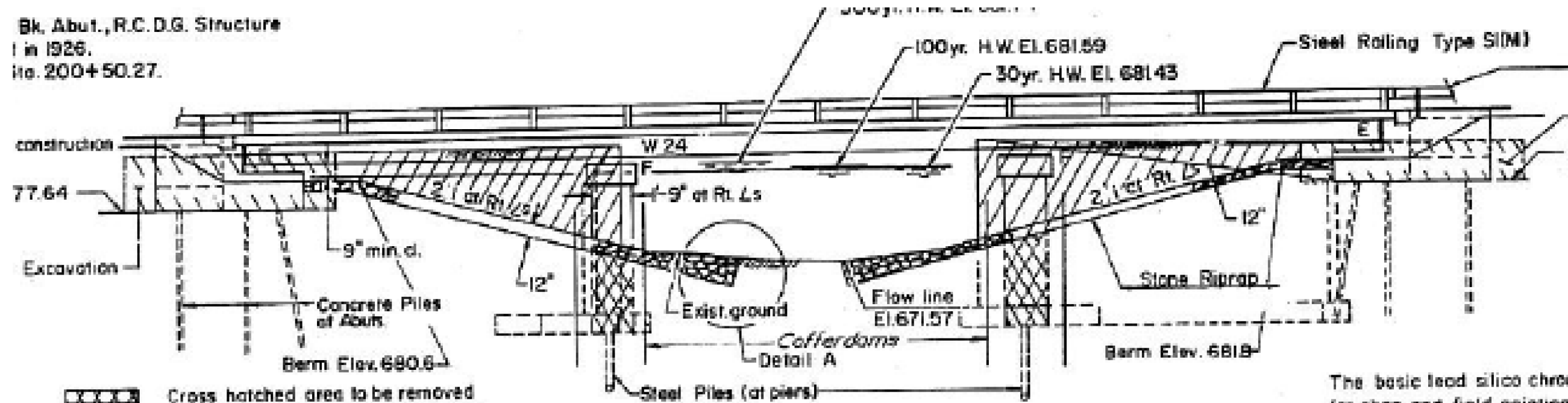
STATE OF ILLINOIS
DEPARTMENT OF TRANSPORTATION

| | | | | |
|-------------------------------|-----------|-----------|------|---------|
| LOCATION #1 STRUCTURE DETAILS | | | | |
| SCALE: | SHEET NO. | OF SHEETS | STA. | TO STA. |

| | | | | |
|-------------------------------|---------|--------|--------------|-----------|
| *05 CM BRIDGE PAINTING 2015-1 | | | | |
| **CHAMPAIGN & DOUGLAS | | | | |
| F.A. RTE. | SECTION | COUNTY | TOTAL SHEETS | SHEET NO. |
| VAR. | . | ** | 19 | 10 |
| CONTRACT NO. 70A79 | | | | |
| ILLINOIS FED. AID PROJECT | | | | |

FOR INFORMATION ONLY
S.N. 010-0250

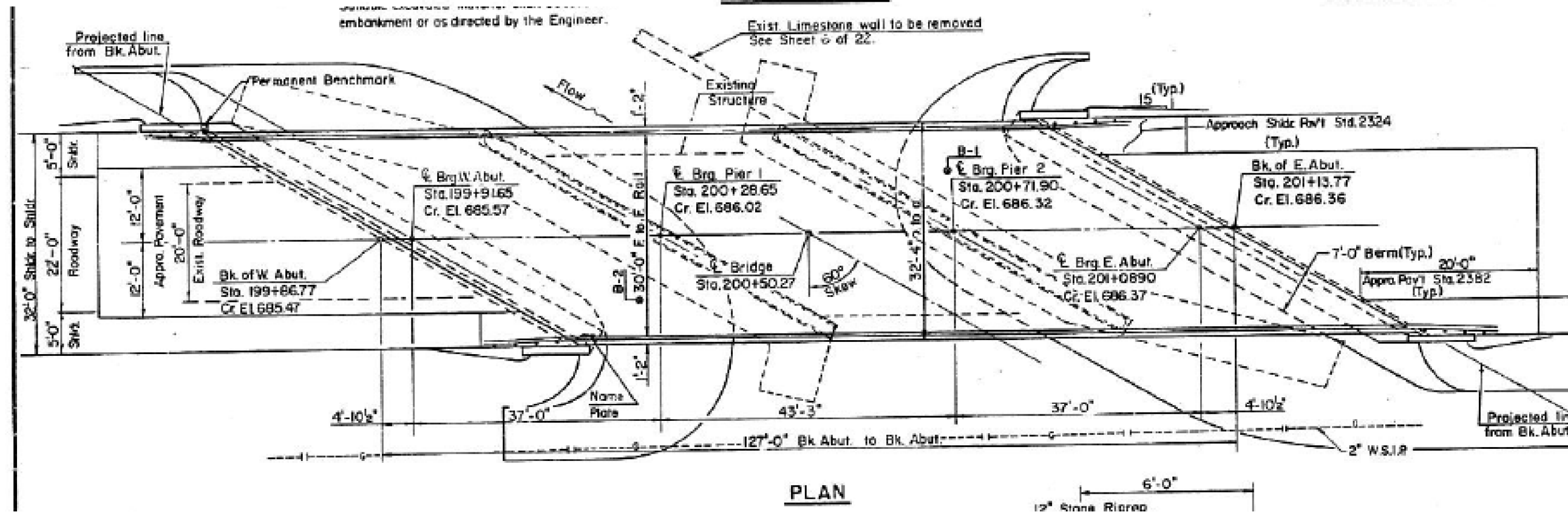
Bk. Abut., R.C.D.G. Structure
in 1926.
No. 200+50.27.



Cross hatched area to be removed as required for construction of pier.

The basic lead silico chro for shop and field painting otherwise noted.

ELEVATION



PLAN

FOR INFORMATION ONLY

05 CM BRIDGE PAINTING 2015-1
CHAMPAIGN & DOUGLAS

| | | | |
|--|-----------------------|------------|-----------|
| FILE NAME = | USER NAME = coombessf | DESIGNED - | REVISED - |
| et:\pwork\pwork\coombessf\0411219\0570A79-shr-plan.dgn | | DRAWN - | REVISED - |
| | | CHECKED - | REVISED - |
| | | DATE - | REVISED - |

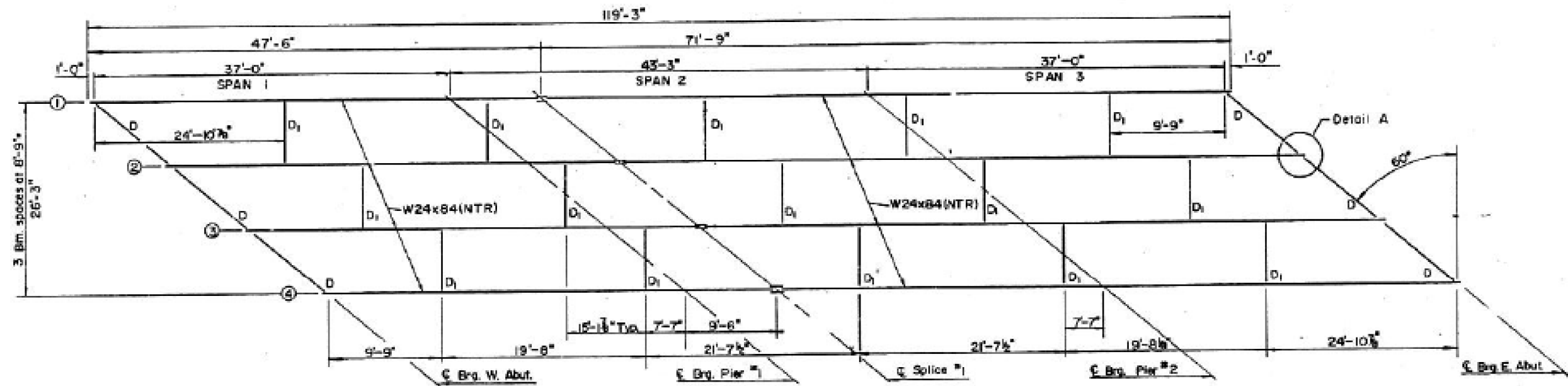
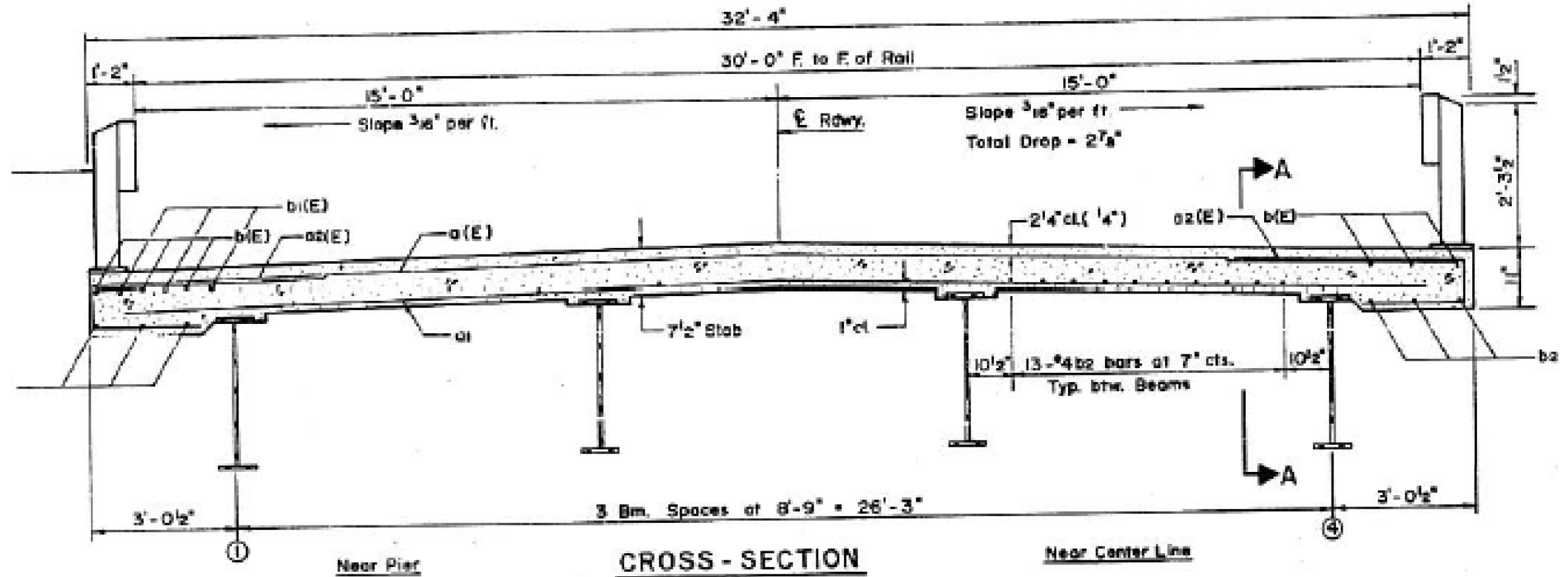
STATE OF ILLINOIS
DEPARTMENT OF TRANSPORTATION

LOCATION #2 STRUCTURE DETAILS

SCALE: SHEET NO. OF SHEETS STA. TO STA.

| F.A. R.T.E. | SECTION | COUNTY | TOTAL SHEETS | SHEET NO. |
|---------------------------|---------|--------|--------------|-----------|
| VAR. | . | ** | 19 | 11 |
| CONTRACT NO. 70A79 | | | | |
| ILLINOIS FED. AID PROJECT | | | | |

FOR INFORMATION ONLY
S.N. 010-0250



PLAN
FOR INFORMATION ONLY

•05 CM BRIDGE PAINTING 2015-1
••CHAMPAIGN & DOUGLAS

| | | | |
|---|-----------------------|------------|-----------|
| FILE NAME = | USER NAME = coombessf | DESIGNED - | REVISED - |
| ct:\pwork\pwork\coombessf\d0411219\0570A79-shr-plan.dgn | | DRAWN - | REVISED - |
| | | CHECKED - | REVISED - |
| | | DATE - | REVISED - |

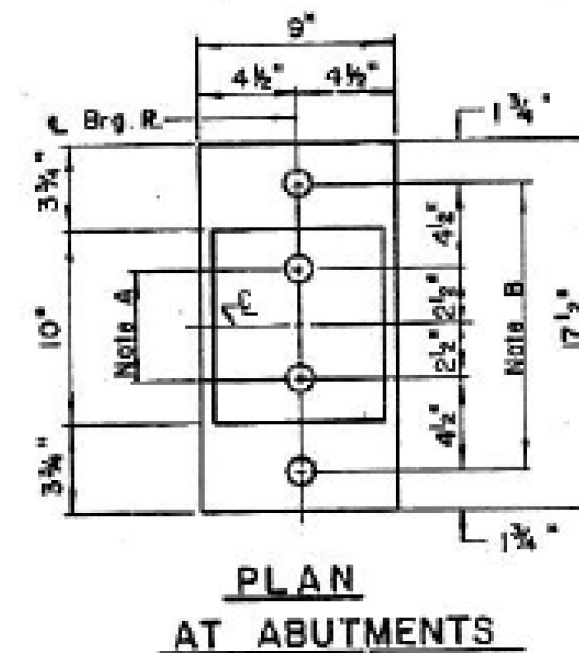
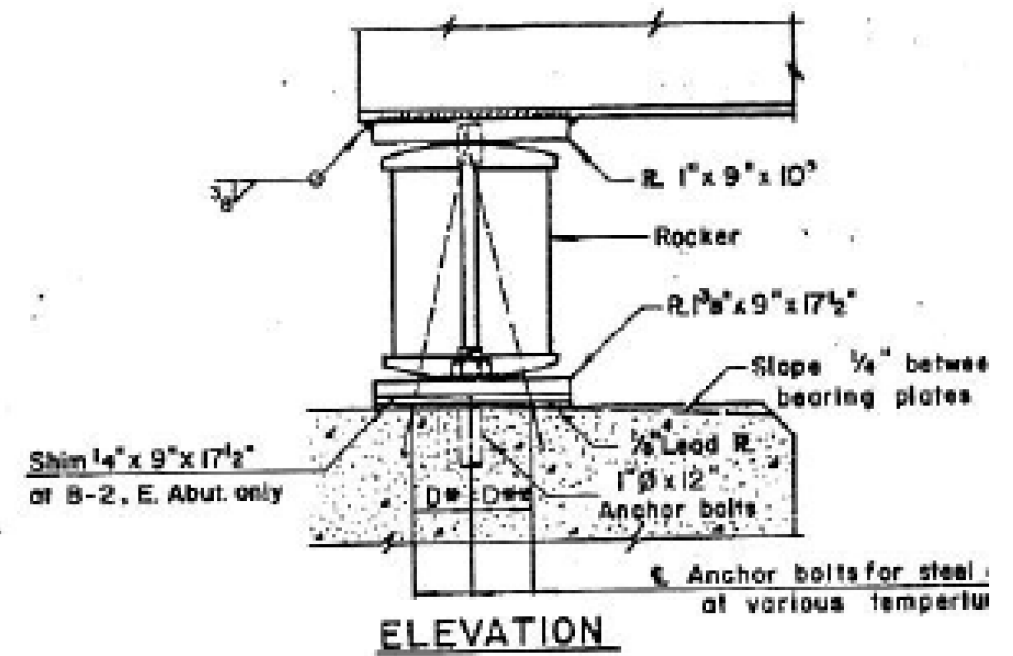
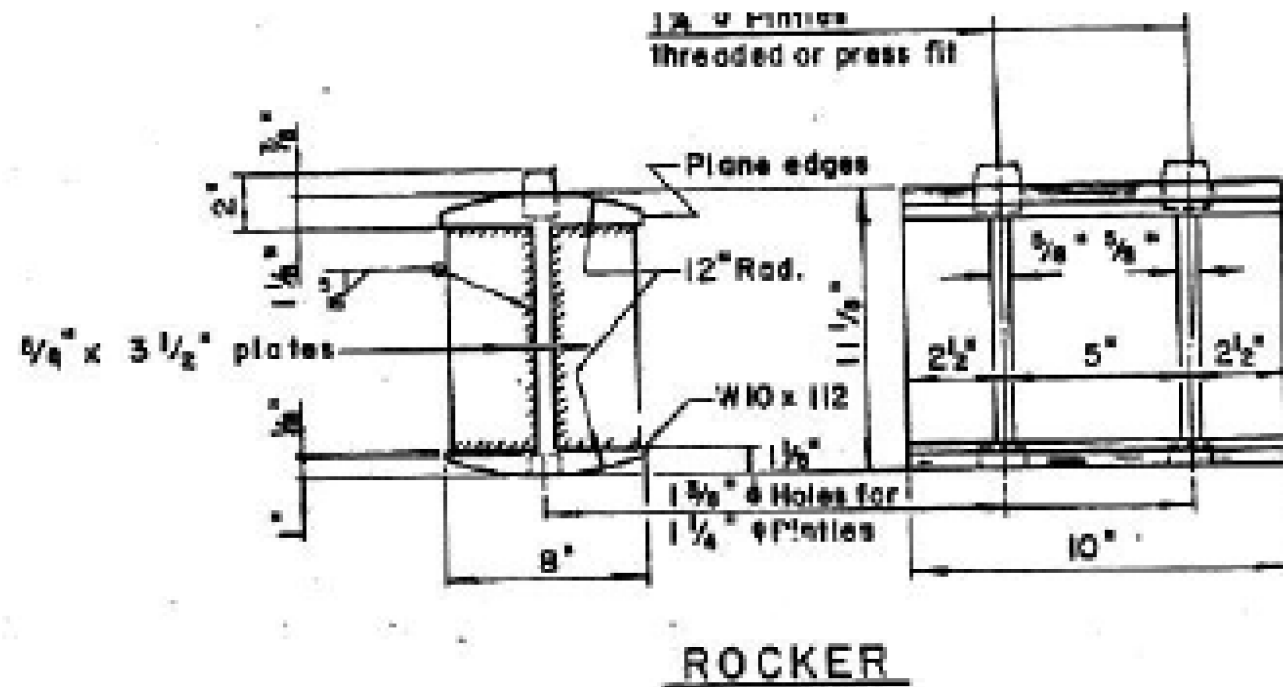
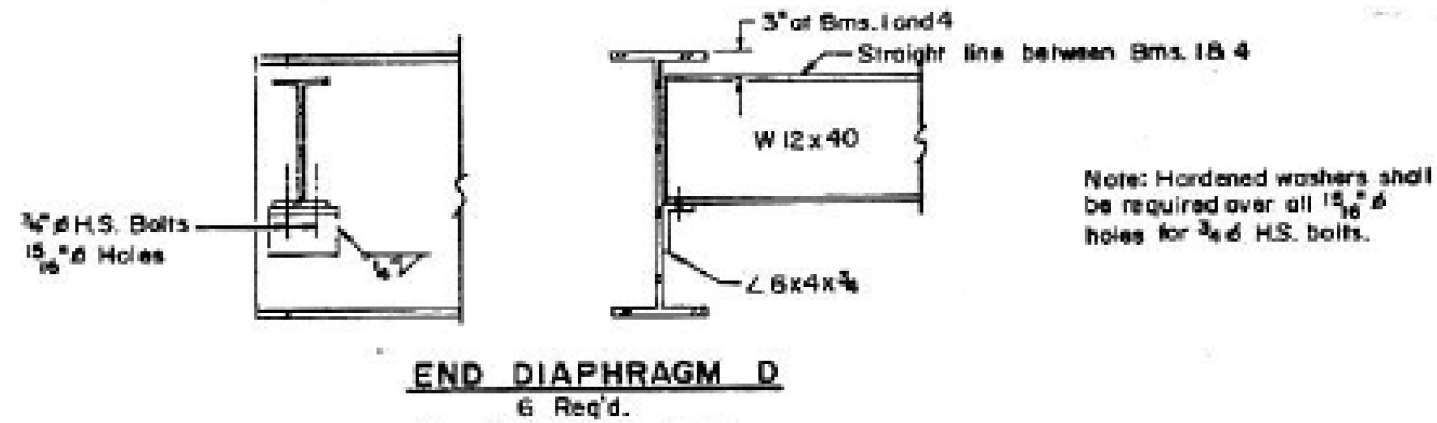
STATE OF ILLINOIS
DEPARTMENT OF TRANSPORTATION

LOCATION #2 STRUCTURE DETAILS

SCALE: SHEET NO. OF SHEETS STA. TO STA.

| F.A. RTE. | SECTION | COUNTY | TOTAL SHEETS | SHEET NO. |
|---------------------------|---------|--------|--------------|-----------|
| VAR. | . | ** | 19 | 12 |
| CONTRACT NO. 70A79 | | | | |
| ILLINOIS FED. AID PROJECT | | | | |

FOR INFORMATION ONLY
S.N. 010-0250



FOR INFORMATION ONLY

•05 CM BRIDGE PAINTING 2015-1
••CHAMPAIGN & DOUGLAS

| | | | |
|---|-----------------------------|------------|-----------|
| FILE NAME = | USER NAME = coombessf | DESIGNED - | REVISED - |
| ct:\pwwork\pwwork\coombessf\d0411219\0570479-shr-plan.dgn | | DRAWN - | REVISED - |
| | PLOT SCALE = 48.0000' / in. | CHECKED - | REVISED - |
| | PLOT DATE = 3/18/2015 | DATE - | REVISED - |

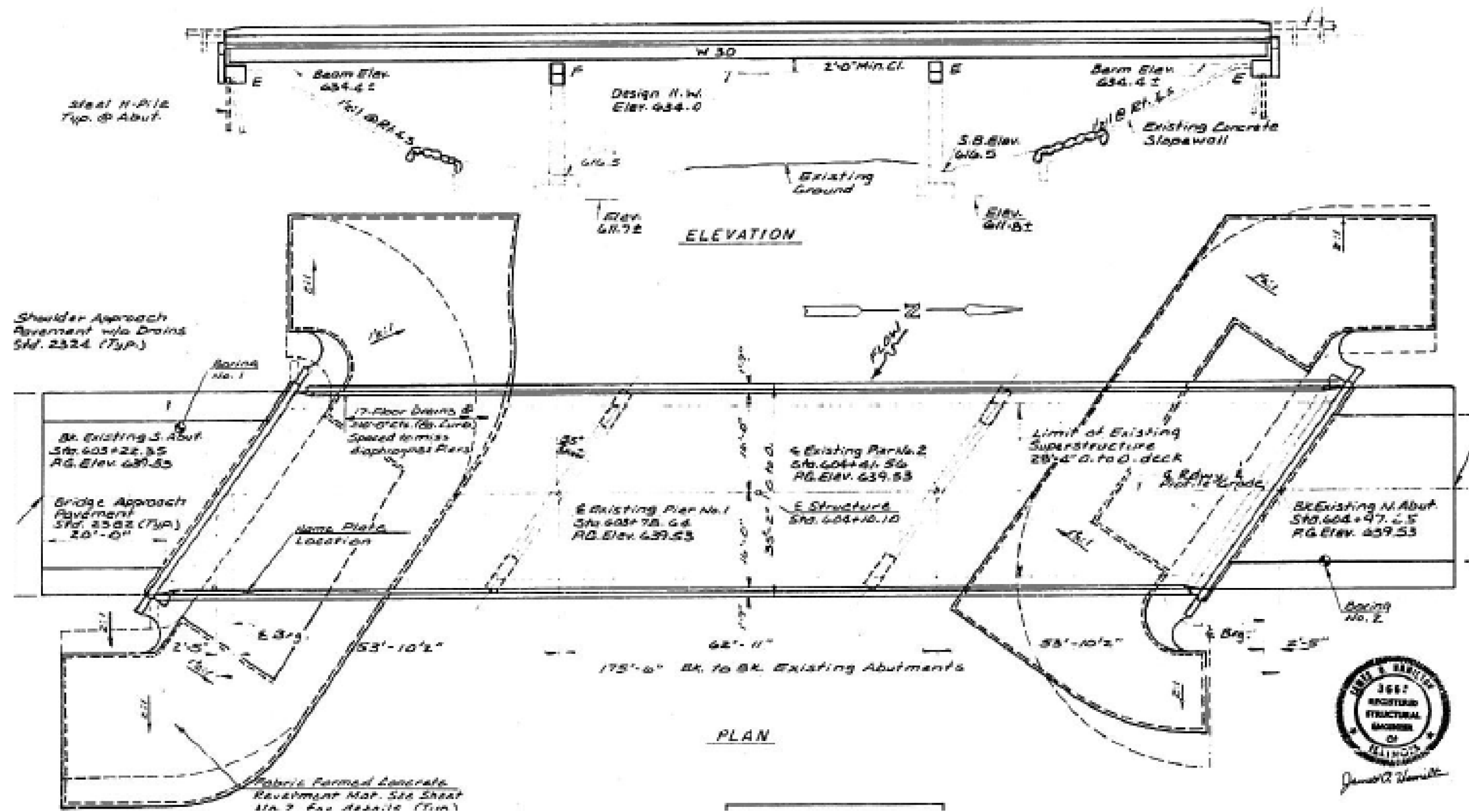
STATE OF ILLINOIS
DEPARTMENT OF TRANSPORTATION

LOCATION #2 STRUCTURE DETAILS

SCALE: SHEET NO. OF SHEETS STA. TO STA.

| F.A. RTE. | SECTION | COUNTY | TOTAL SHEETS | SHEET NO. |
|--------------------|---------|--------|---------------------------|-----------|
| | | •• | 19 | 13 |
| CONTRACT NO. 70A79 | | | ILLINOIS FED. AID PROJECT | |

FOR INFORMATION ONLY
S.N. 021-0030

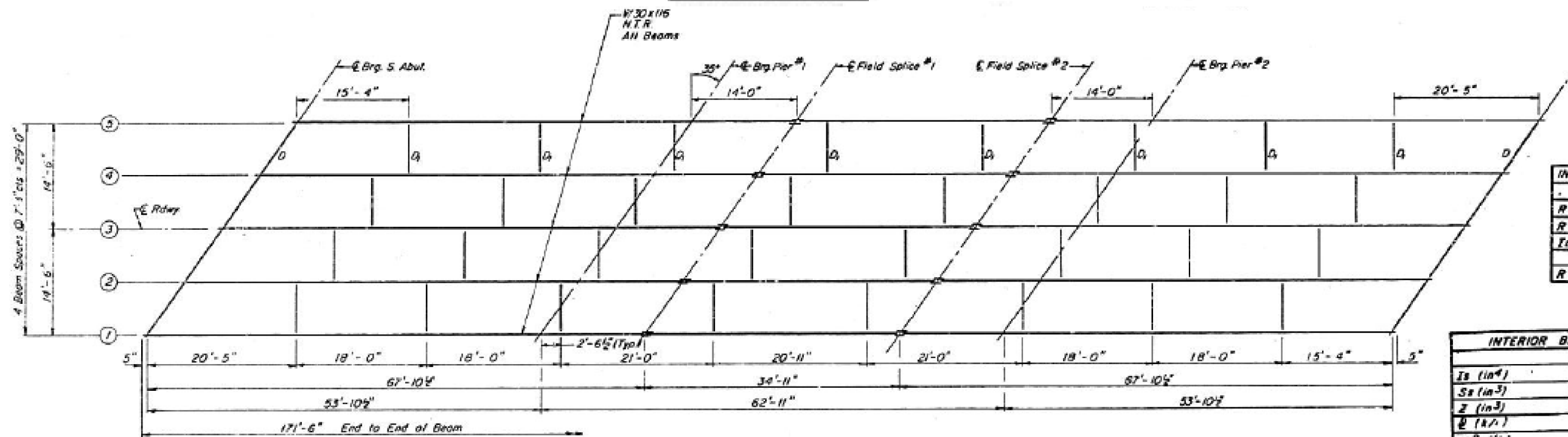
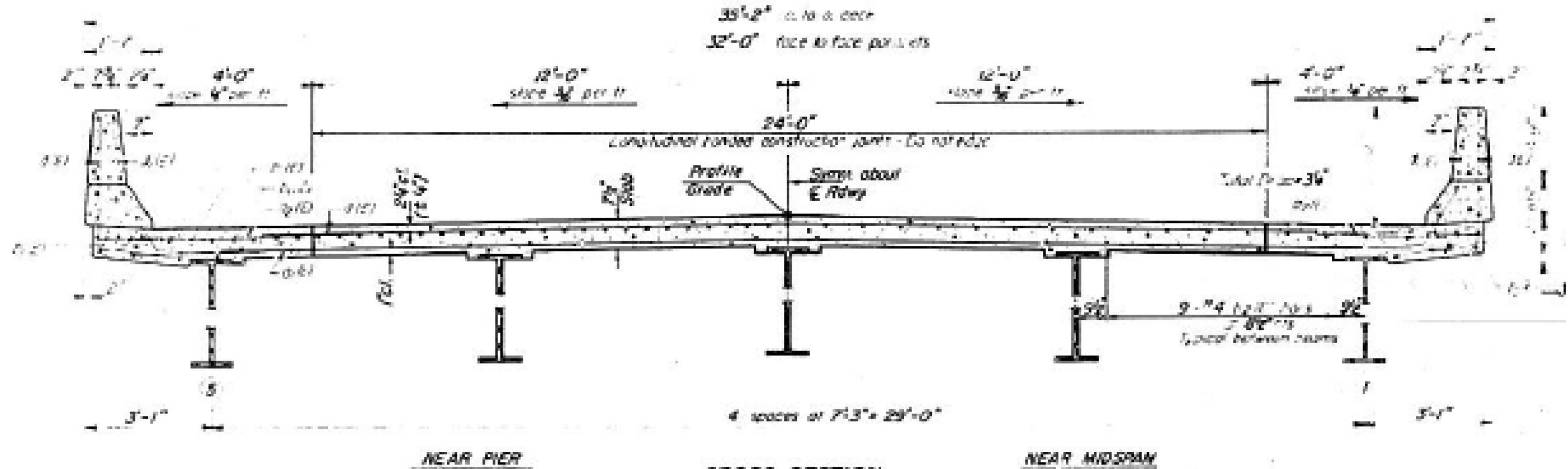


FOR INFORMATION ONLY

05 CM BRIDGE PAINTING 2015-1
CHAMPAIGN & DOUGLAS

| | | | | | | | | | | | | | |
|--|-----------------------|------------|-----------|---|-------------------------------|-----------|-----------|------|-----------|---------|--------|--------------|-----------|
| FILE NAME = | USER NAME = coombessf | DESIGNED - | REVISED - | STATE OF ILLINOIS DEPARTMENT OF TRANSPORTATION | LOCATION #3 STRUCTURE DETAILS | | | | F.A. RTE. | SECTION | COUNTY | TOTAL SHEETS | SHEET NO. |
| c:\pwwork\pwwork\coombessf\d0411219\0570A79-shr-plan.dgn | | DRAWN - | REVISED - | | SCALE: | SHEET NO. | OF SHEETS | STA. | TO STA. | VAR. | .. | 19 | 14 |
| | | CHECKED - | REVISED - | | CONTRACT NO. 70A79 | | | | | | | | |
| | | DATE - | REVISED - | | ILLINOIS FED. AID PROJECT | | | | | | | | |

FOR INFORMATION ONLY
S.N. 021-0030



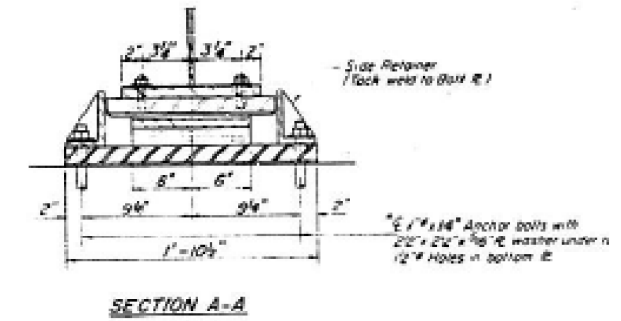
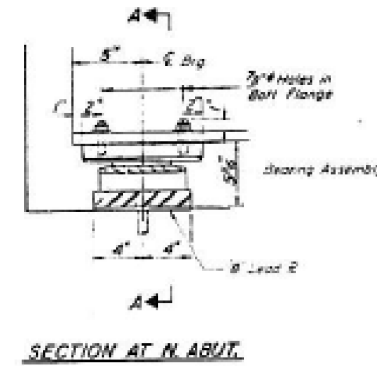
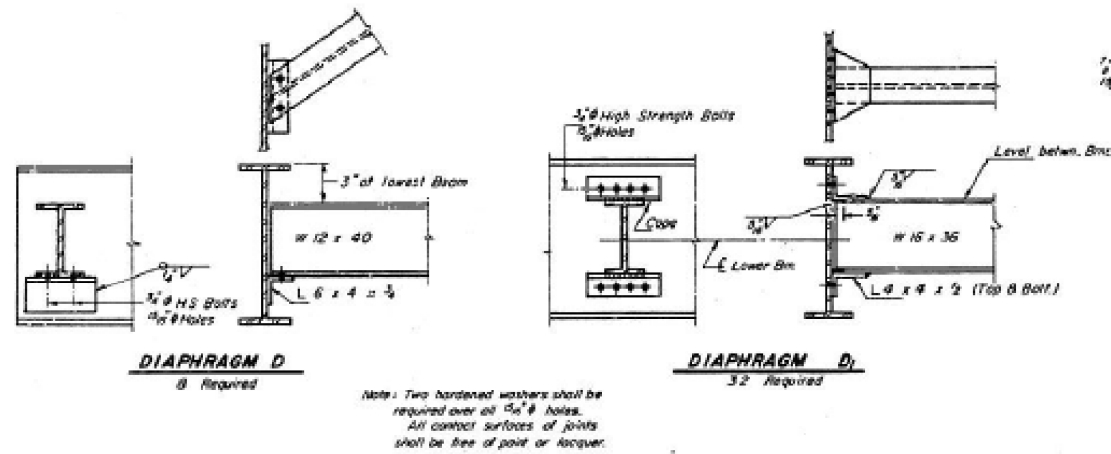
FRAMING PLAN

FOR INFORMATION ONLY

•05 CM BRIDGE PAINTING 2015-1
••CHAMPAIGN & DOUGLAS

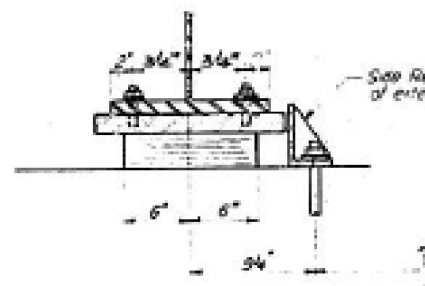
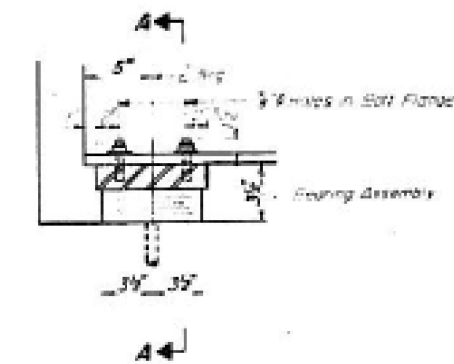
| | | | | | | | | | | | | | |
|--|-----------------------|------------|-----------|---|-------------------------------|-----------|-----------|------|-----------|---------|--------|--------------|-----------|
| FILE NAME = | USER NAME = coombessf | DESIGNED - | REVISED - | STATE OF ILLINOIS DEPARTMENT OF TRANSPORTATION | LOCATION #3 STRUCTURE DETAILS | | | | F.A. RTE. | SECTION | COUNTY | TOTAL SHEETS | SHEET NO. |
| et:\pwork\pwork\coombessf\0411219\0570479-shr-plan.dgn | | DRAWN - | REVISED - | | SCALE: | SHEET NO. | OF SHEETS | STA. | TO STA. | VAR. | • | 19 | 15 |
| | | CHECKED - | REVISED - | | CONTRACT NO. 70A79 | | | | | | | | |
| | | DATE - | REVISED - | | ILLINOIS FED. AID PROJECT | | | | | | | | |

FOR INFORMATION ONLY
S.N. 021-0030



TYPE II TFE ELASTOMERIC EXP BRG. N. ABUT.

*Note:



TYPE I ELASTOMERIC EXP BRG. S. ABUT.

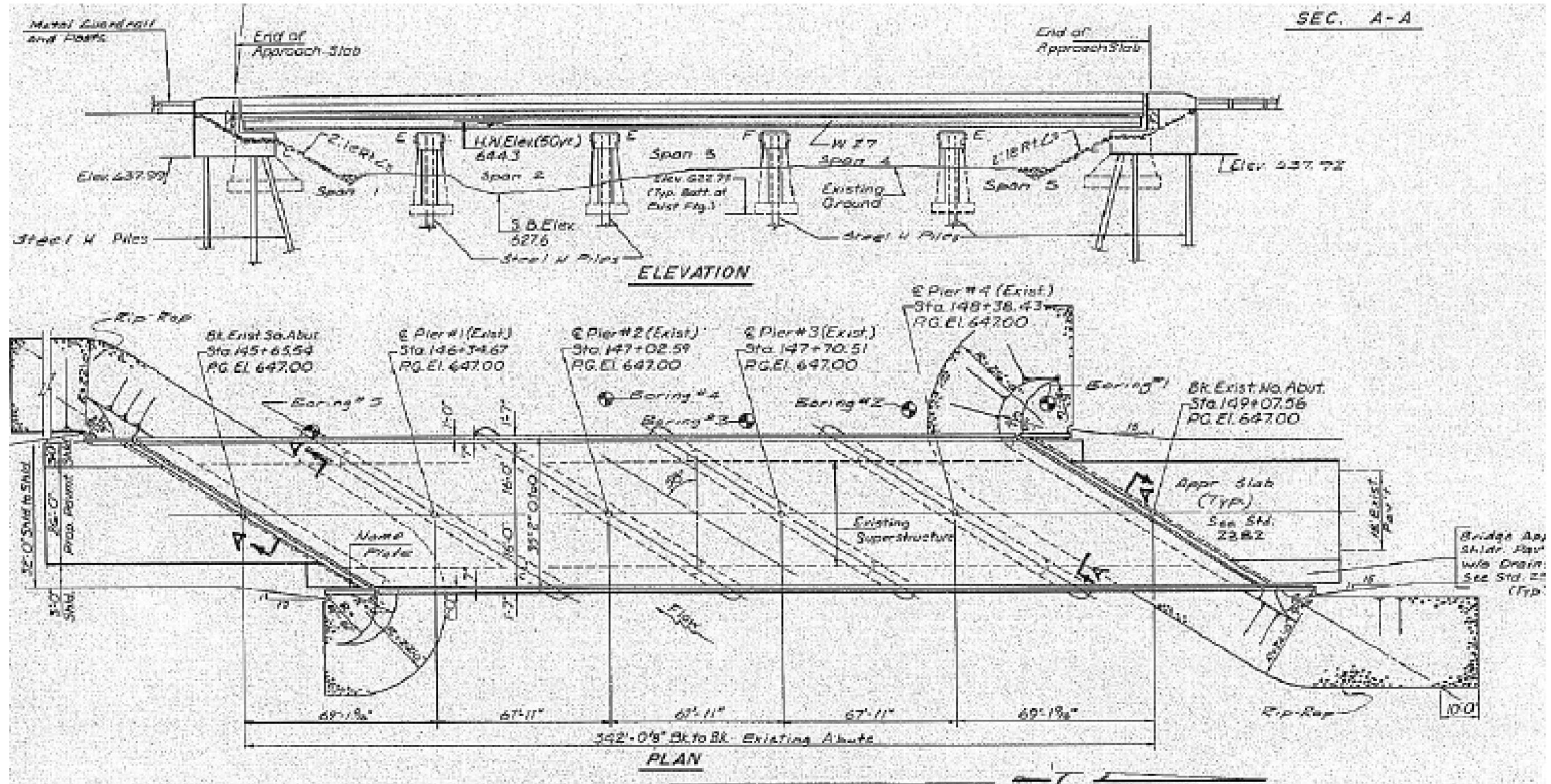


FOR INFORMATION ONLY

•05 CM BRIDGE PAINTING 2015-1
•CHAMPAIGN & DOUGLAS

| | | | | | | | | | | | | | |
|---|-----------------------------|------------|---|---|--------------------------------------|--|---------------------------|--|-----------|---------|--------|--------------|-----------|
| FILE NAME = c:\pwwork\pwwork\coombessf\d0411219\0570A79-shr-plan.dgn | USER NAME = coombessf | DESIGNED - | REVISED - | STATE OF ILLINOIS DEPARTMENT OF TRANSPORTATION | LOCATION #3 STRUCTURE DETAILS | | | | F.A. RTE. | SECTION | COUNTY | TOTAL SHEETS | SHEET NO. |
| | PLOT SCALE = 48.0000' / in. | DRAWN - | REVISED - | | | | | | VAR. | . | ** | 19 | 16 |
| PLOT DATE = 3/18/2015 | CHECKED - | REVISED - | SCALE: SHEET NO. OF SHEETS STA. TO STA. | | | | CONTRACT NO. 70A79 | | | | | | |
| | DATE - | REVISED - | | | | | ILLINOIS FED. AID PROJECT | | | | | | |

FOR INFORMATION ONLY
S.N. 021-0029



FOR INFORMATION ONLY

•05 CM BRIDGE PAINTING 2015-1
••CHAMPAIGN & DOUGLAS

| | | | |
|---|-----------------------------|------------|-----------|
| FILE NAME = | USER NAME = coombessf | DESIGNED - | REVISED - |
| et:\pwork\pwork\coombessf\d0411219\0570A79-shr-plan.dgn | | DRAWN - | REVISED - |
| | PLOT SCALE = 40.0000' / in. | CHECKED - | REVISED - |
| | PLOT DATE = 3/18/2015 | DATE - | REVISED - |

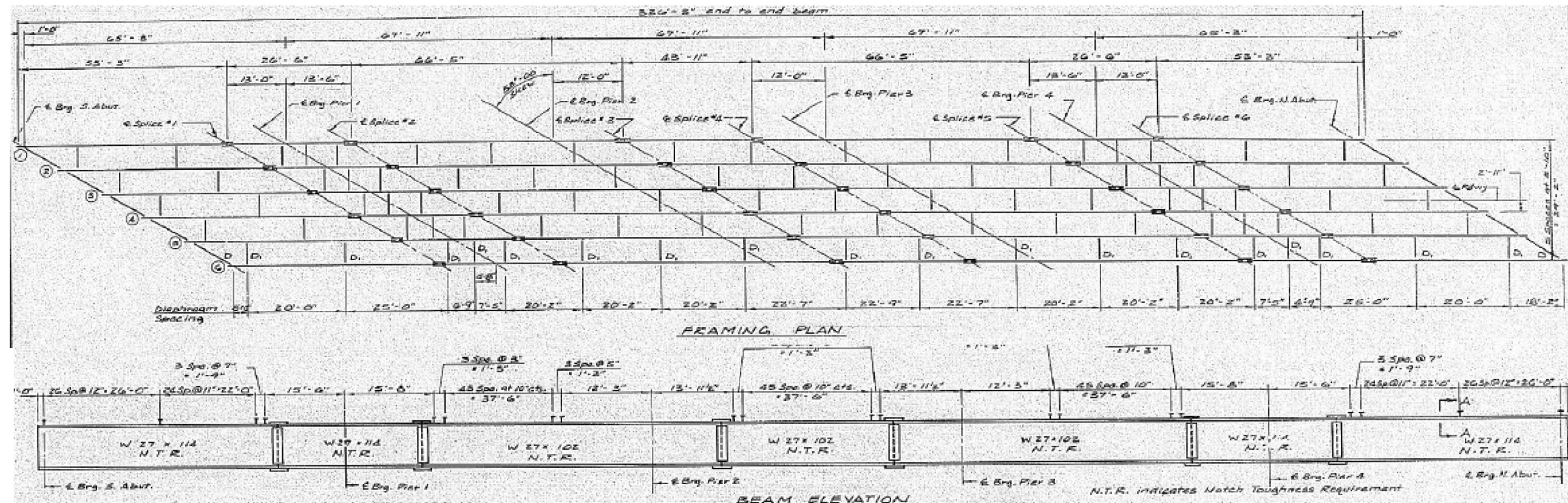
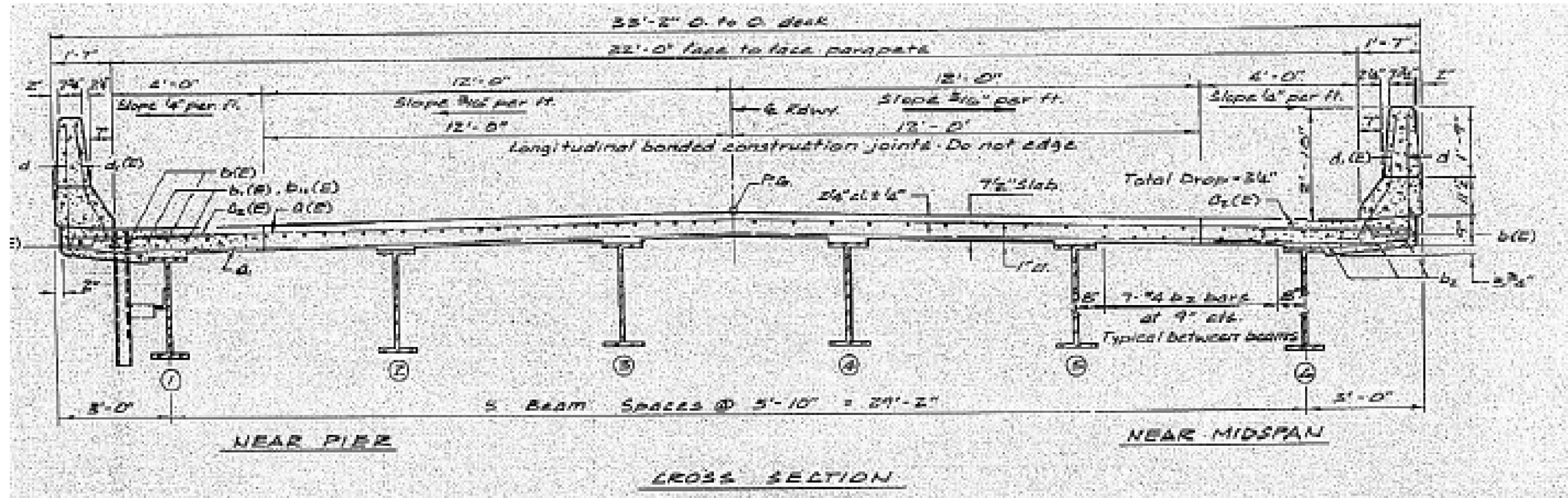
STATE OF ILLINOIS
DEPARTMENT OF TRANSPORTATION

LOCATION #4 STRUCTURE DETAILS

SCALE: SHEET NO. OF SHEETS STA. TO STA.

| | | | | |
|---------------------------|---------|--------|--------------|-----------|
| F.A. RTE. | SECTION | COUNTY | TOTAL SHEETS | SHEET NO. |
| VAR. | . | .. | 19 | 17 |
| CONTRACT NO. 70A79 | | | | |
| ILLINOIS FED. AID PROJECT | | | | |

FOR INFORMATION ONLY
S.N. 021-0029



FOR INFORMATION ONLY

05 CM BRIDGE PAINTING 2015-1
CHAMPAIGN & DOUGLAS

| | | | |
|---|-----------------------------|------------|-----------|
| FILE NAME : | USER NAME : coombessf | DESIGNED - | REVISED - |
| et:\pw_work\p\dot\coombessf\d0411219\0570A79-shr-plan.dgn | | DRAWN - | REVISED - |
| | PLOT SCALE = 48.0000' / in. | CHECKED - | REVISED - |
| | PLOT DATE = 3/18/2015 | DATE - | REVISED - |

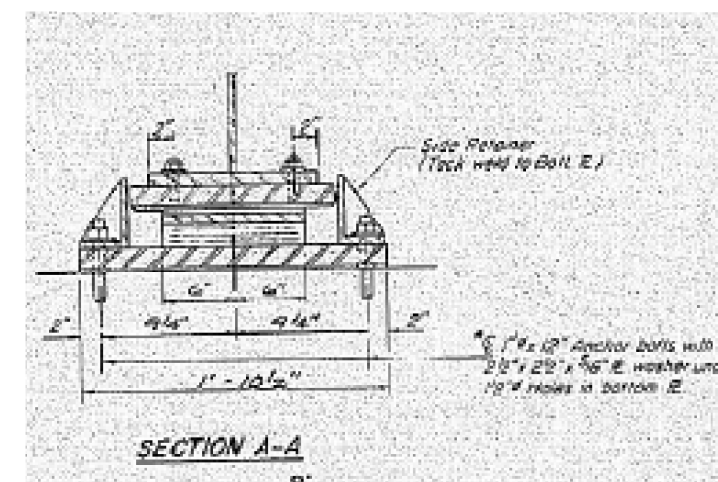
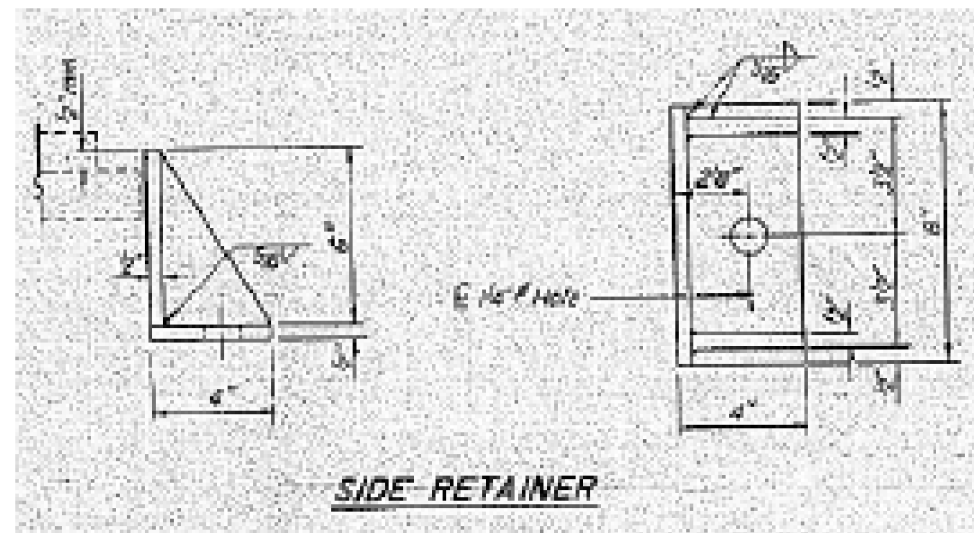
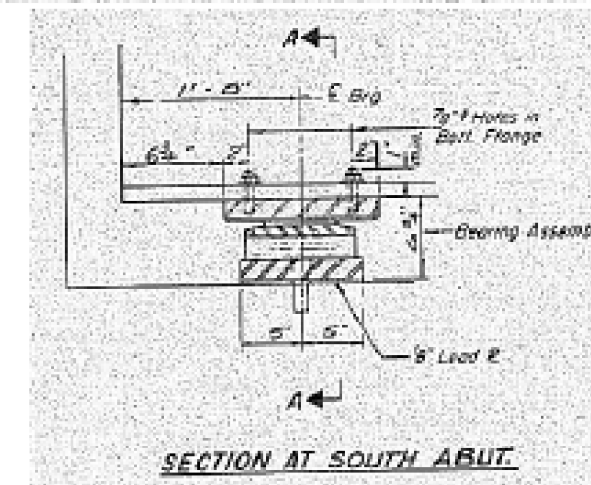
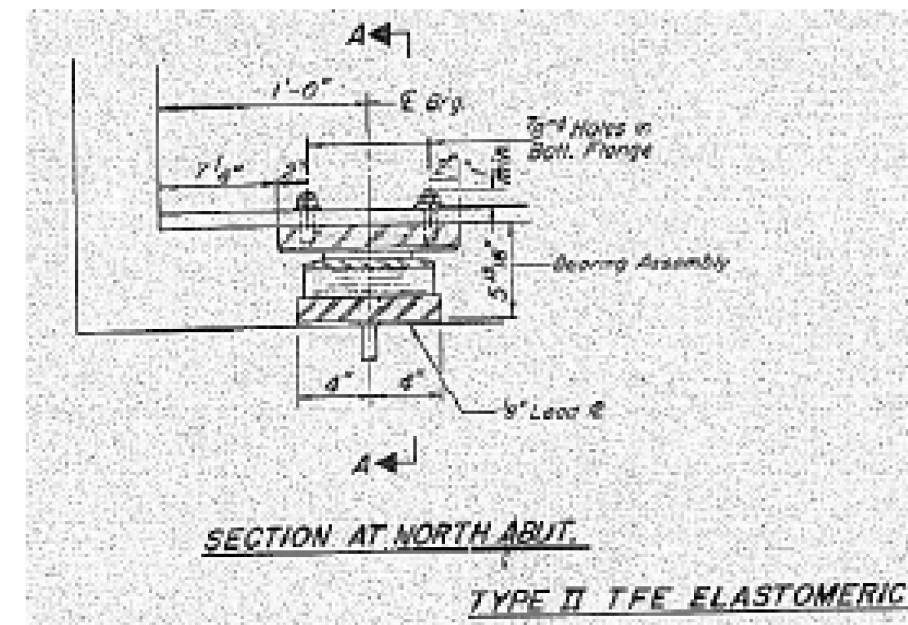
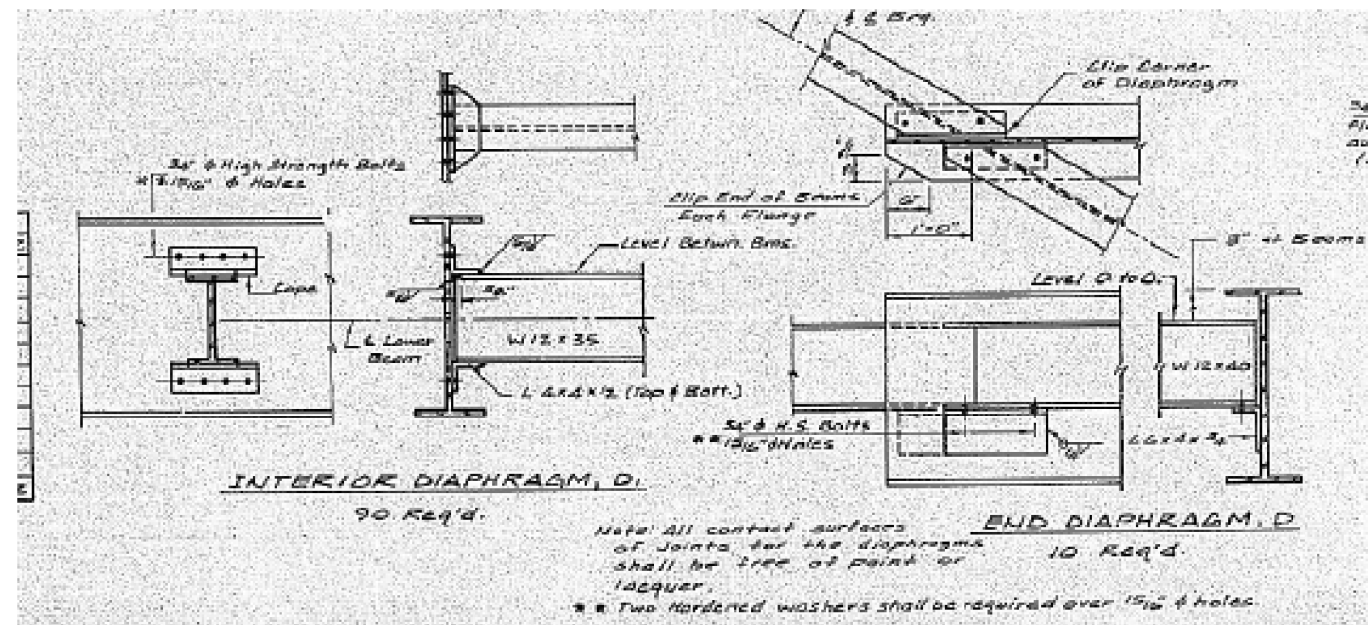
STATE OF ILLINOIS
DEPARTMENT OF TRANSPORTATION

LOCATION #4 STRUCTURE DETAILS

SCALE: SHEET NO. OF SHEETS STA. TO STA.

| | | | | |
|---------------------------|---------|--------|--------------|-----------|
| F.A. RTE. | SECTION | COUNTY | TOTAL SHEETS | SHEET NO. |
| VAR. | . | ** | 19 | 18 |
| CONTRACT NO. 70A79 | | | | |
| ILLINOIS FED. AID PROJECT | | | | |

FOR INFORMATION ONLY
S.N. 021-0029



FOR INFORMATION ONLY

| | | | |
|--|-----------------------------|------------|-----------|
| FILE NAME = | USER NAME = coombessf | DESIGNED - | REVISED - |
| et:\pw_work\pwidot\coombessf\d0411219\0570A79-shr-plan.dgn | | DRAWN - | REVISED - |
| | PLOT SCALE = 48.0000' / in. | CHECKED - | REVISED - |
| | PLOT DATE = 3/18/2015 | DATE - | REVISED - |

STATE OF ILLINOIS
DEPARTMENT OF TRANSPORTATION

| | | | | |
|-------------------------------|-----------|-----------|------|---------|
| LOCATION #4 STRUCTURE DETAILS | | | | |
| SCALE: | SHEET NO. | OF SHEETS | STA. | TO STA. |

| | | | | |
|---|---------|--------|--------------|-----------|
| •05 CM BRIDGE PAINTING 2015-1 •CHAMPAIGN & DOUGLAS | | | | |
| F.A. RTE. | SECTION | COUNTY | TOTAL SHEETS | SHEET NO. |
| VAR. | . | ** | 19 | 19 |
| CONTRACT NO. 70A79 | | | | |
| ILLINOIS FED. AID PROJECT | | | | |