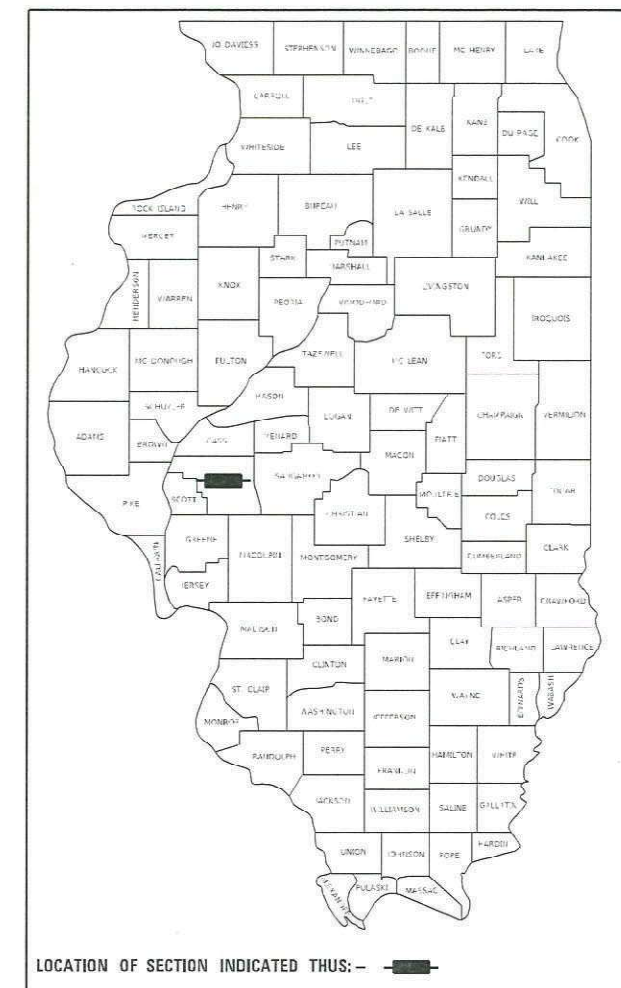


STATE OF ILLINOIS
DEPARTMENT OF TRANSPORTATION

F.A.I. RTE.	SECTION	COUNTY	TOTAL SHEETS	SHEET NO.
72	69-9) BRR-1, SLP	MORGAN	7	1
		ILLINOIS	CONTRACT NO. 72L87	

D-96-055-20



FOR INDEX OF SHEETS, SEE SHEET NO. 2

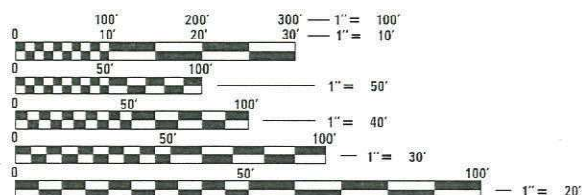
PROPOSED CONTRACT MAINTENANCE

FAI ROUTE 72 (I-72)
SECTION (69-9) BRR-1, SLP
PROJECT (STATE ONLY)
BRIDGE SUBSTRUCTURE REPAIRS
MORGAN COUNTY

C-96-085-20

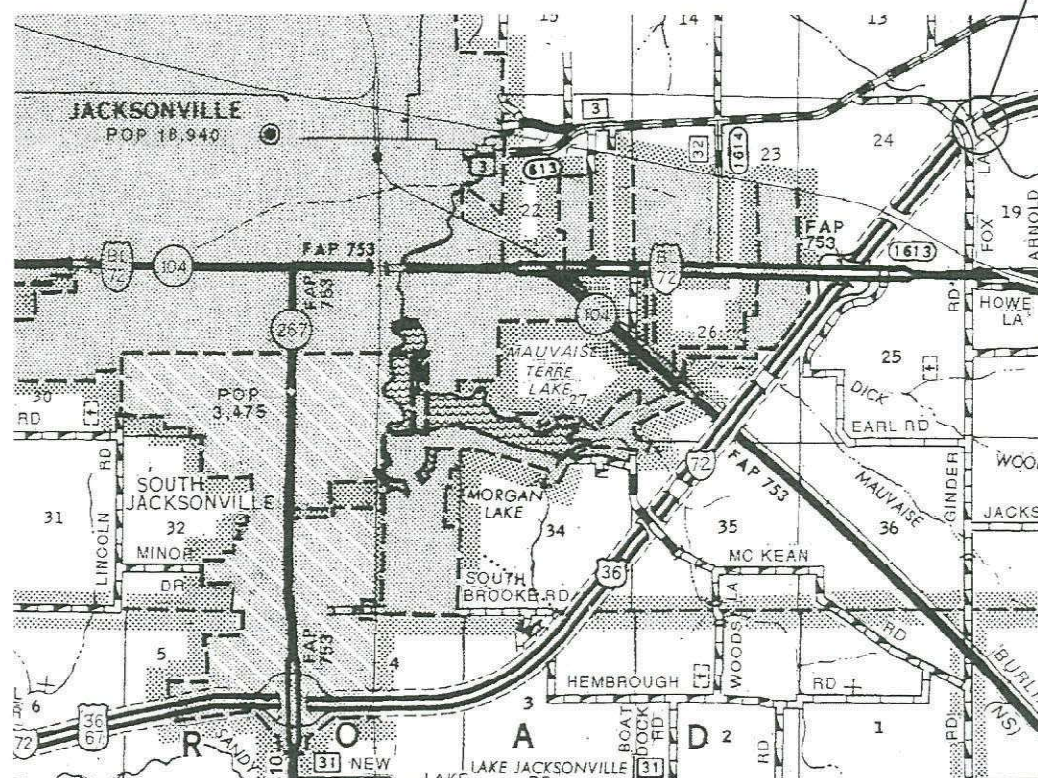


PROJECT LOCATION
SN 069-0048 & 0049
I-72 OVER
N FK MAUVAISE TERRE
1.1 MI E MORTON AVE.



FULL SIZE PLANS HAVE BEEN PREPARED USING STANDARD ENGINEERING SCALES. REDUCED SIZED PLANS WILL NOT CONFORM TO STANDARD SCALES. IN MAKING MEASUREMENTS ON REDUCED PLANS, THE ABOVE SCALES MAY BE USED.

J.U.L.I.E.
JOINT UTILITY LOCATION INFORMATION FOR EXCAVATION
1-800-892-0123
OR 811



BRIDGE MAINTENANCE ENGINEER: BRANDON DUDLEY - (217) 785-9290

GROSS LENGTH = 257 FT. = 0.05 MILE
NET LENGTH = 257 FT. = 0.05 MILE

CONTRACT NO. 72L87

STATE OF ILLINOIS
DEPARTMENT OF TRANSPORTATION

SUBMITTED March 20, 2020
[Signature] REGIONAL ENGINEER

May 8, 2020 [Signature]
ENGINEER OF DESIGN AND ENVIRONMENT

May 8, 2020 [Signature]
DIRECTOR OF HIGHWAYS PROJECT IMPLEMENTATION

PRINTED BY THE AUTHORITY
OF THE STATE OF ILLINOIS




INDEX OF SHEETS

- 1 COVER SHEET
- 2 INDEX, STANDARDS, SIGNATURES, & GENERAL NOTES
- 3 SUMMARY OF QUANTITIES
- 4-7 SN 069-0048 & 0049 BRIDGE PLANS

STANDARDS

- 000001-07
- 001001-02
- 001006
- 701101-05
- 701106-02
- 701400-09
- 701401-12
- 701901-08

GENERAL NOTES:

STATE OF ILLINOIS DEPARTMENT OF TRANSPORTATION DIVISION OF HIGHWAYS DISTRICT 6	
EXAMINED	March 16 20 20
 ENGINEER OF OPERATIONS	
EXAMINED	March 12 20 20
 ENGINEER OF PROJECT IMPLEMENTATION	
EXAMINED	March 18 20 20
 ENGINEER OF PROGRAM DEVELOPMENT	

MODEL: Default
FILE NAME: \\CENTRALDB\OPERATIONS\Bridges\Bridges\CAD\72L87 - 0690048 & 0049 substructure repair\plan\sheet.dgn

USER NAME = DUDLEYBM	DESIGNED -	REVISED -	
	DRAWN -	REVISED -	
PLOT SCALE = 100.0000 ' / in.	CHECKED -	REVISED -	
PLOT DATE = 3/19/2020	DATE -	REVISED -	

**STATE OF ILLINOIS
DEPARTMENT OF TRANSPORTATION**

**INDEX OF SHEETS, STANDARDS,
GENERAL NOTES, & SIGNATURES**

SCALE: SHEET OF SHEETS STA. TO STA.

F.A.I. RTE.	SECTION	COUNTY	TOTAL SHEETS	SHEET NO.
72	(69-9) BRR-1, SLP	MORGAN	7	2
CONTRACT NO. 72L87				
ILLINOIS FED. AID PROJECT				

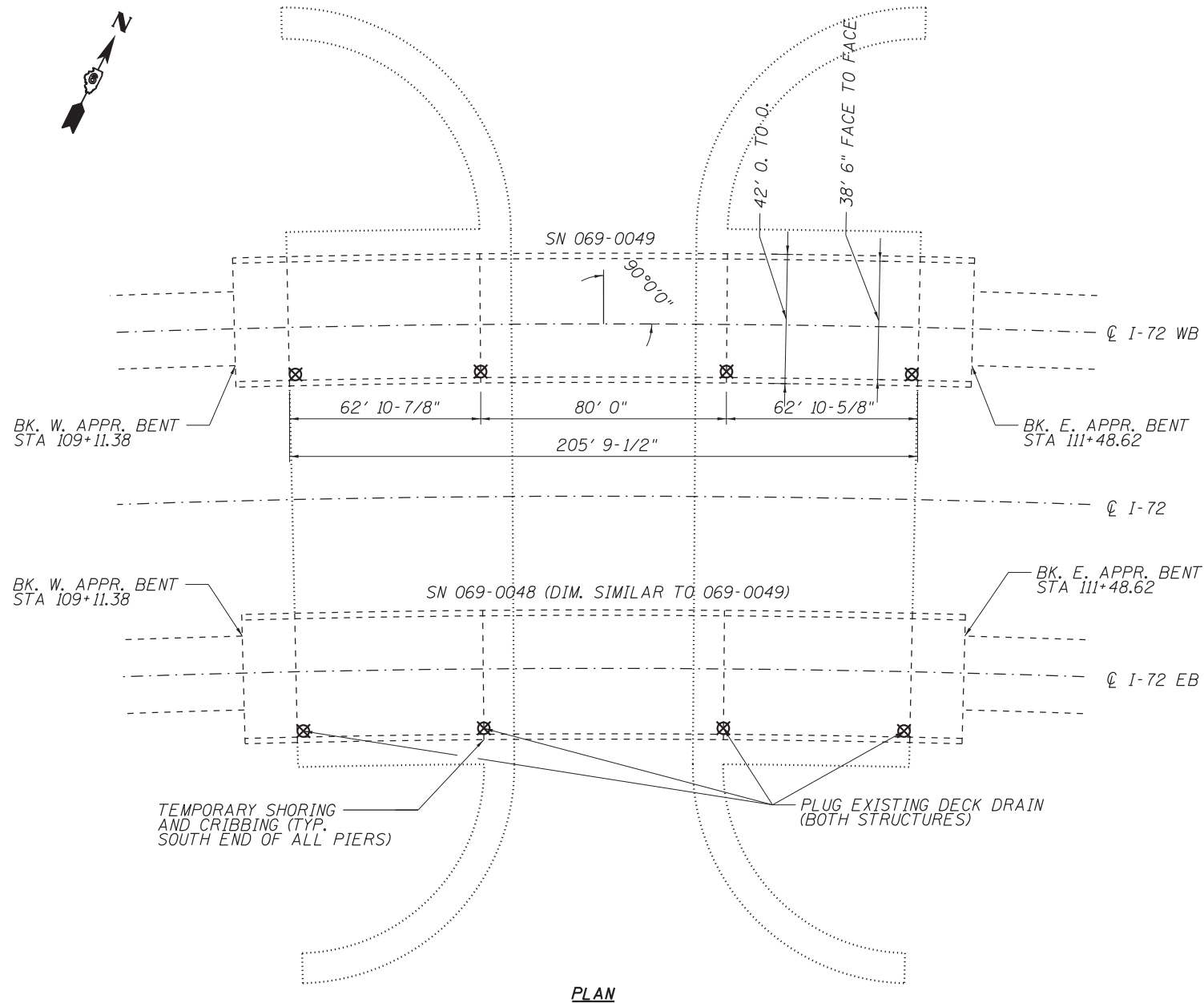
0-02175-6003	0-02175-6003
SN 069-0048	SN 069-0049
100% STATE	100% STATE
BRIDGE	BRIDGE
0047	0047
MORGAN	MORGAN

CODE NO.	ITEM	UNIT	TOTAL QUANTITY	100% STATE	
				BRIDGE 0047 MORGAN	BRIDGE 0047 MORGAN
50104650	SLOPE WALL REMOVAL	SQ YD	39	12	27
58700300	CONCRETE SEALER	SQ FT	2250	1125	1125
59300100	CONTROLLED LOW STRENGTH MATERIAL	CU YD	80	40	40
67100100	MOBILIZATION	L SUM	1	0.5	0.5
70100800	TRAFFIC CONTROL AND PROTECTION , STANDARD 701401	L SUM	1	0.5	0.5
Z0012754	STRUCTURAL REPAIR OF CONCRETE (DEPTH EQUAL TO OR LESS THAN 5")	SQ FT	489	221	268
Z0012755	STRUCTURAL REPAIR OF CONCRETE (DEPTH GREATER THAN 5")	SQ FT	30	30	0
Z0015802	PLUG EXISTING DECK DRAINS	SQ YD	4	2	2
Z0065702	SLOPE WALL, SPECIAL	SQ YD	39	12	27
Z0073200	TEMPORARY SHORING AND CRIBBING	EACH	4	2	2

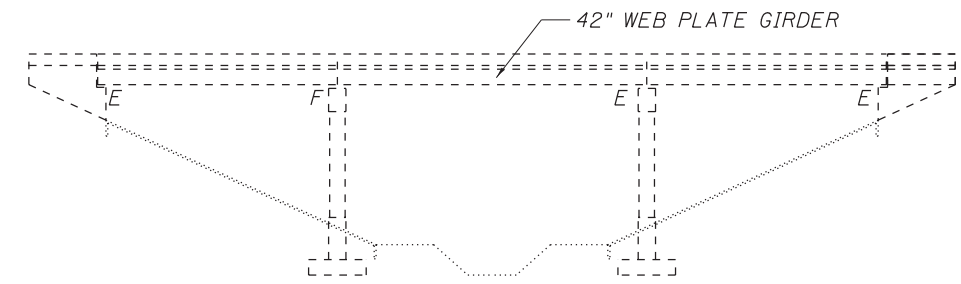
MODEL: D:\dtd\it
FILE NAME: \CENTRAL\OPERATIONS\Bridges\BridgesPlans CAD\72L87 - 0690048 & 0049 substructure_repair\plansheet.dgn

REV. - MS

USER NAME = DUDLEYBM DESIGNED - DRAWN - PLOT SCALE = 100.0000' / in. CHECKED - PLOT DATE = 3/19/2020 DATE -		REVISED - REVISED - REVISED - REVISED -		STATE OF ILLINOIS DEPARTMENT OF TRANSPORTATION		SUMMARY OF QUANTITIES				F.A.I. RTE. SECTION COUNTY TOTAL SHEETS SHEET NO. 72 (69-9) BRR-1, SLP MORGAN 7 3	
						SCALE:		SHEET OF SHEETS		STA. TO STA.	
ILLINOIS FED. AID PROJECT											



PLAN



ELEVATION

GIRDER REACTION TABLE AT TEMPORARY SHORING (SEE SPECIAL PROVISIONS)	
DEAD LOAD	70.3 KIPS
SUPERIMPOSED DEAD LOAD	31.9 KIPS
LIVE LOAD	51.3 KIPS
IMPACT	13.3 KIPS
TOTAL	166.5 KIPS



David Carl Puzey 04/20/2020
Expires: 11/30/2020

STRUCTURE GENERAL NOTES:

PLAN DIMENSIONS AND DETAILS RELATIVE TO EXISTING PLANS ARE SUBJECT TO NOMINAL CONSTRUCTION VARIATIONS. THE CONTRACTOR SHALL FIELD VERIFY EXISTING DIMENSIONS AND DETAILS AFFECTING NEW CONSTRUCTION AND MAKE NECESSARY APPROVED ADJUSTMENTS PRIOR TO CONSTRUCTION OR ORDERING OF MATERIALS. SUCH VARIATIONS SHALL NOT BE CAUSE FOR ADDITIONAL COMPENSATION FOR A CHANGE IN THE SCOPE OF WORK, HOWEVER, THE CONTRACTOR WILL BE PAID FOR THE QUANTITY ACTUALLY FURNISHED AT THE UNIT PRICE BID FOR THE WORK.

CONCRETE SEALER SHALL BE APPLIED TO ALL VERTICAL FACES AND THE TOP OF ALL HORIZONTAL FACES ON THE PIERS. CONCRETE SEALER SHALL BE APPLIED TO THE ABUTMENT BACKWALLS, BEARING SEATS, FRONT ABUTMENT FACES, AND SIDES OF ABUTMENTS TO A DISTANCE OF 2' BEHIND BACK WALLS.

THE SOUTH FASCIA BEAM SHALL BE SHORED AT BOTH PIERS ON BOTH STRUCTURES DURING PIER CAP REPAIRS.

TOTAL BILL OF MATERIAL (069-0048 & 0049)

ITEM	UNIT	QUANTITY
Slope Wall Removal	Sq. Yd.	39
Slope Wall, Special	Sq. Yd.	39
Controlled Low Strength Material	Cu. Yd.	80
Concrete Sealer	Sq. Ft.	2250
Structural Repair of Concrete (Depth = or < 5")	Sq. Ft.	489
Structural Repair of Concrete (Depth > 5")	Sq. Ft.	60
Plug Existing Deck Drains *	Each	8
Temporary Shoring and Cribbing	Each	4

* See special provisions

MODEL: Default
FILE NAME: \\CENTRALDEOPERATIONS\Bridges\Bridges\CAD\72187 - 0690048 & 0049_substructure_repair\brnchec.dgn

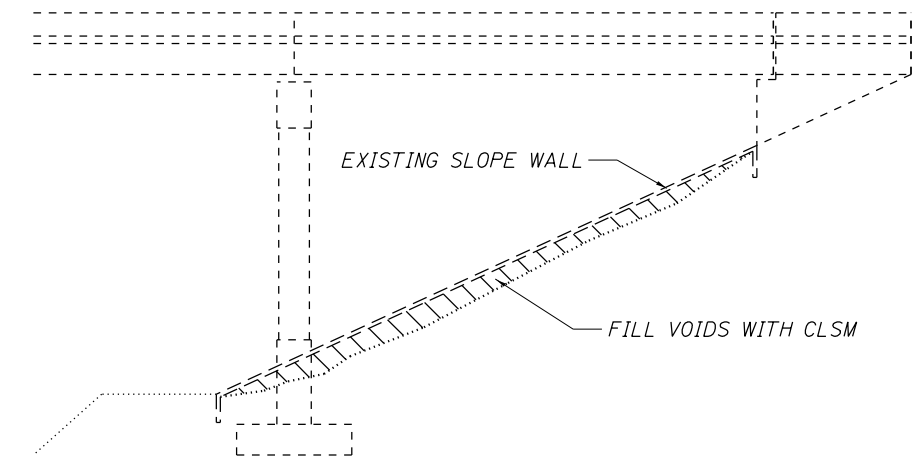
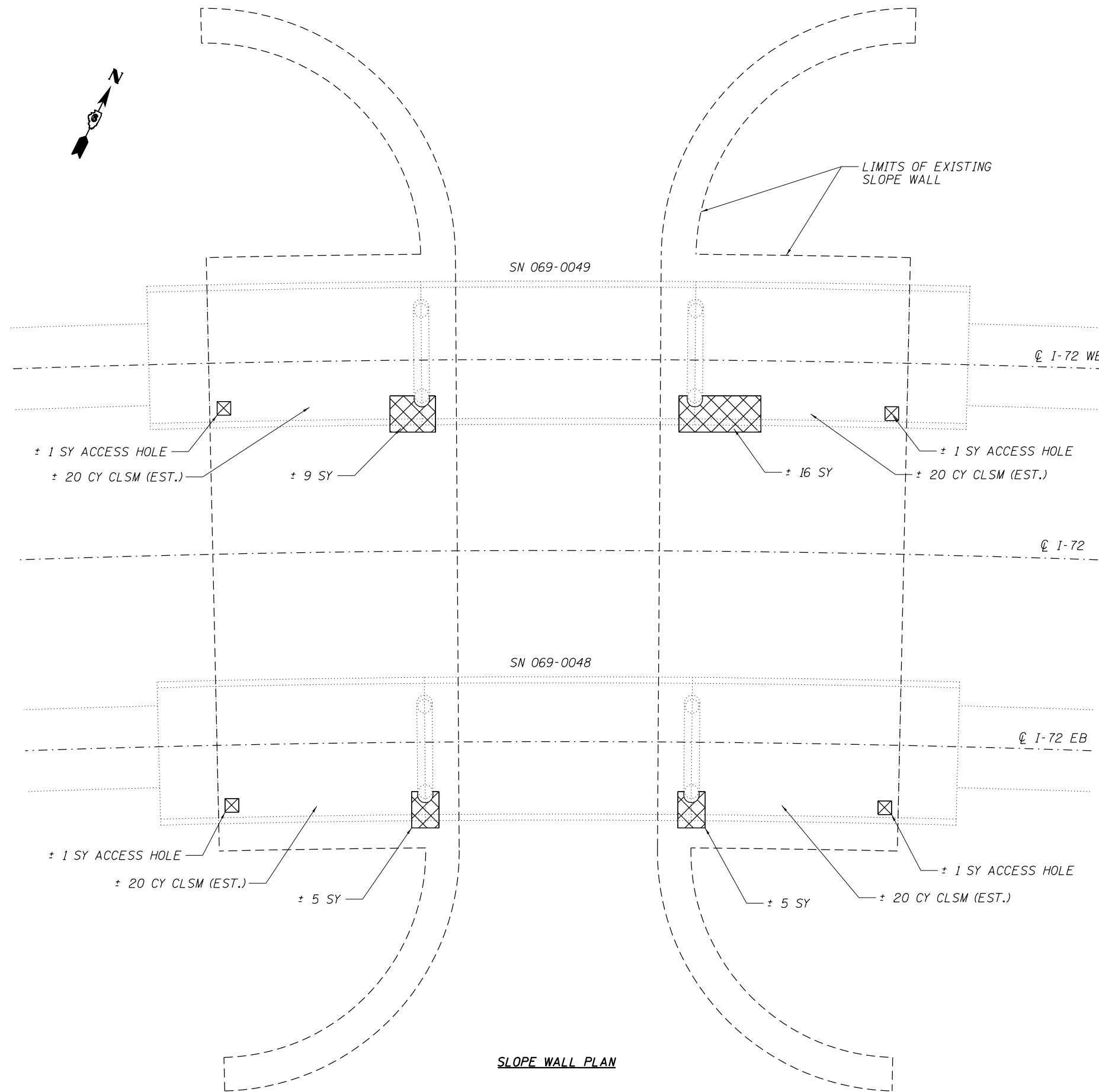
USER NAME = DUDLEYBM	DESIGNED - BRANDON DUDLEY	REVISED -
	DRAWN - BRANDON DUDLEY	REVISED -
PLOT SCALE = 100.0000' / in.	CHECKED - JASON JONES	REVISED -
PLOT DATE = 3/19/2020	DATE -	REVISED -

**STATE OF ILLINOIS
DEPARTMENT OF TRANSPORTATION**

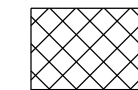
**BRIDGE PLAN & ELEVATION
SN 069-0048 & 0049**

SCALE: SHEET 1 OF 4 SHEETS STA. TO STA.

F.A.I. RTE.	SECTION	COUNTY	TOTAL SHEETS	SHEET NO.
72	(69-9) BRR-1, SLP	MORGAN	7	4
			CONTRACT NO. 72L87	
ILLINOIS FED. AID PROJECT				



TYPICAL VOID ELEVATION



SLOPE WALL REMOVAL & SLOPE WALL (SPECIAL)

BILL OF MATERIAL - SLOPE WALL REPAIRS (069-0048 & 0049)

ITEM	UNIT	QUANTITY
Slope Wall Removal	Sq. Yd.	39
Slope Wall, Special	Sq. Yd.	39
Controlled Low Strength Material	Cu. Yd.	80

MODEL: Default
 FILE NAME: \\CENTRALDB\OPERATIONS\Bridges\Bridges\CAD\72L87 - 0690048 & 0049_substructure_repair\dwg\sheet.dwg

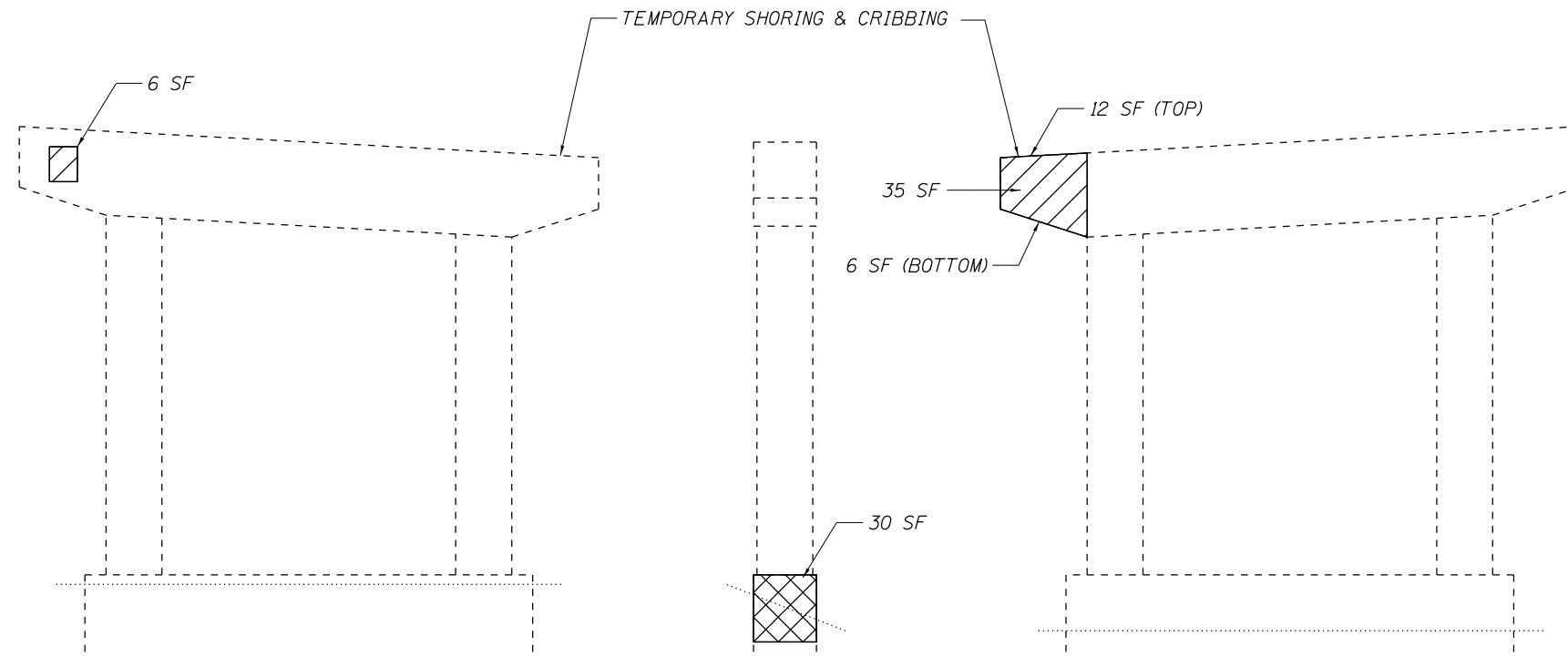
USER NAME = DUDLEYBM	DESIGNED -	REVISED -
PLOT SCALE = 100.0000' / in.	DRAWN -	REVISED -
PLOT DATE = 3/19/2020	CHECKED -	REVISED -
	DATE -	REVISED -

STATE OF ILLINOIS
DEPARTMENT OF TRANSPORTATION

SLOPE WALL REPAIRS
SN 069-0048 & 0049

SCALE: SHEET 2 OF 4 SHEETS STA. TO STA.

F.A.I. RTE.	SECTION	COUNTY	TOTAL SHEETS	SHEET NO.
72	(69-9) BRR-1, SLP	MORGAN	7	5
ILLINOIS FED. AID PROJECT			CONTRACT NO. 72L87	

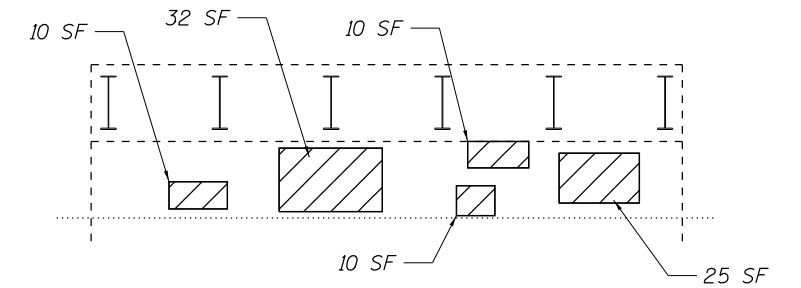


WEST PIER - WEST FACE

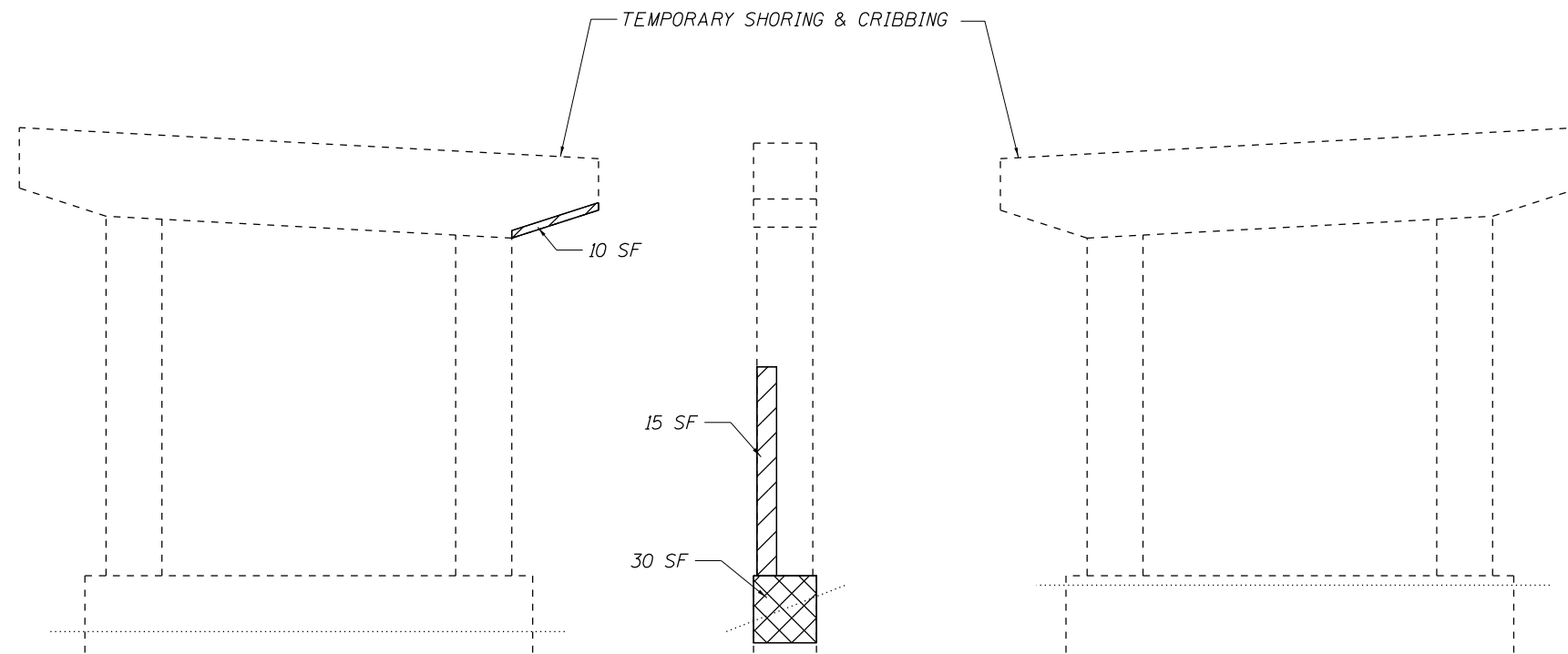
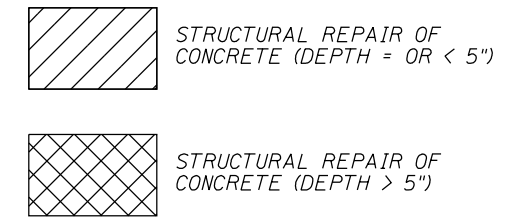
WEST PIER - SOUTH END

WEST PIER - EAST FACE

WEST PIER - NORTH END



WEST ABUTMENT - LOOKING WEST

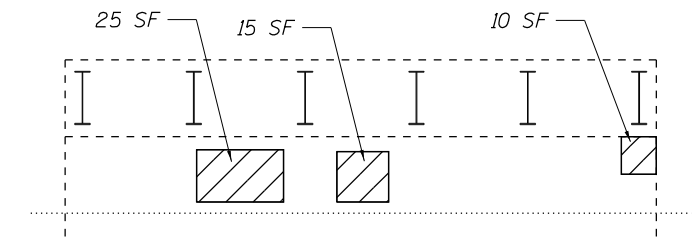


EAST PIER - WEST FACE

EAST PIER - SOUTH END

EAST PIER - EAST FACE

EAST PIER - NORTH END



EAST ABUTMENT - LOOKING EAST

*For reactions see sheet 1

BILL OF MATERIAL - SN 069-0048 SUBSTRUCTURE REPAIR

ITEM	UNIT	QUANTITY
Structural Repair of Concrete (Depth = or < 5")	Sq. Ft.	221
Structural Repair of Concrete (Depth > 5")	Sq. Ft.	60
Temporary Shoring and Cribbing	Each	2

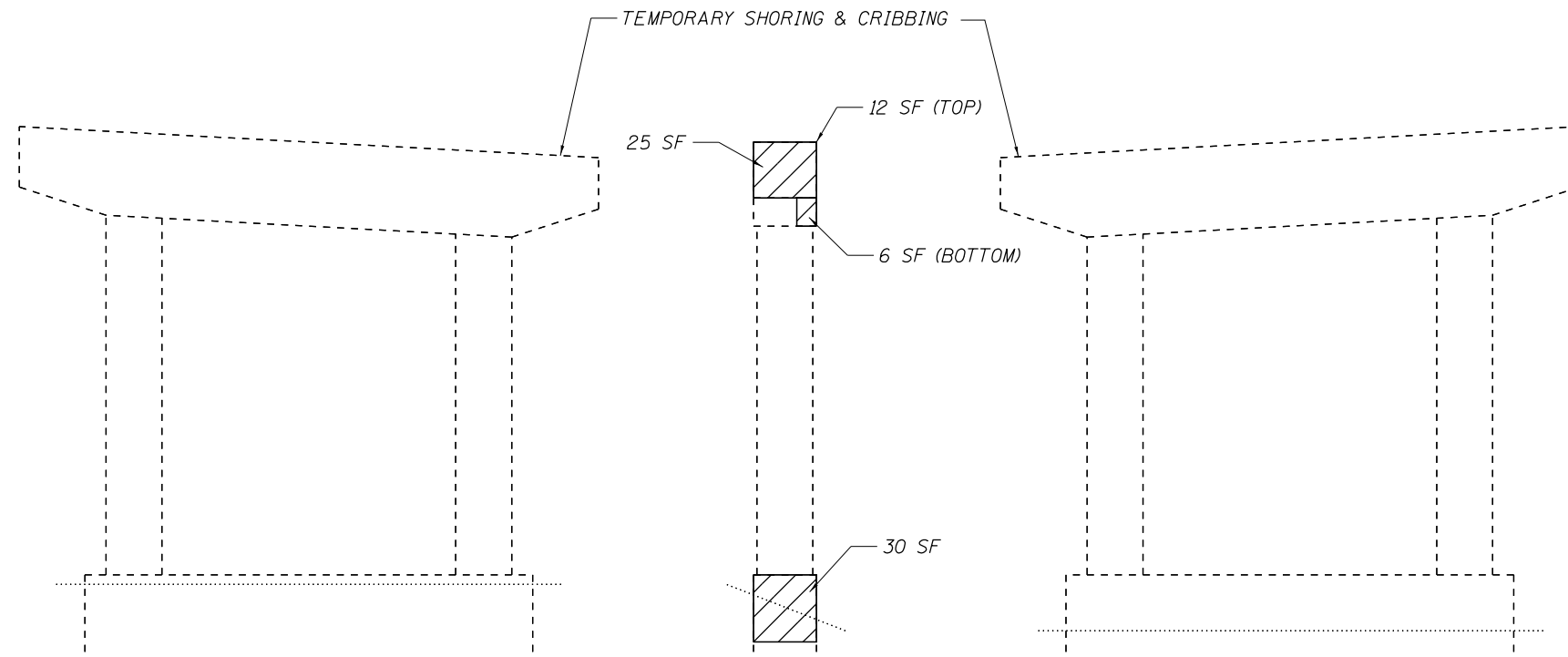
MODEL: Default
 FILE NAME: \\CENTRALDB\OPERATIONS\Bridges\Bridges\CAD\72L87 - 0690048 & 0049 substructure_repair\abntec.dgn

USER NAME = DUDLEYBM	DESIGNED -	REVISED -
PLOT SCALE = 100.0000' / in.	DRAWN -	REVISED -
PLOT DATE = 3/19/2020	CHECKED -	REVISED -
	DATE -	REVISED -

**STATE OF ILLINOIS
DEPARTMENT OF TRANSPORTATION**

SUBSTRUCTURE REPAIRS	
SN 069-0048	
SCALE:	SHEET 3 OF 4 SHEETS STA. TO STA.

F.A.I. RTE.	SECTION	COUNTY	TOTAL SHEETS	SHEET NO.
72	(69-9) BRR-1, SLP	MORGAN	7	6
ILLINOIS FED. AID PROJECT			CONTRACT NO. 72L87	

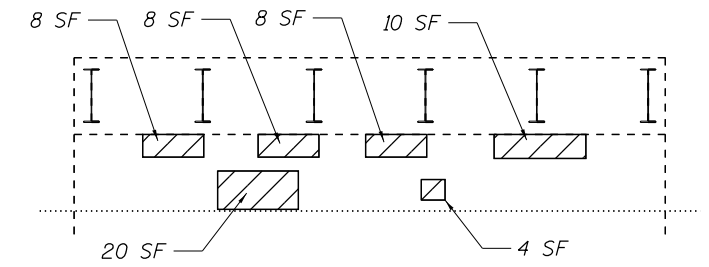


WEST PIER - WEST FACE

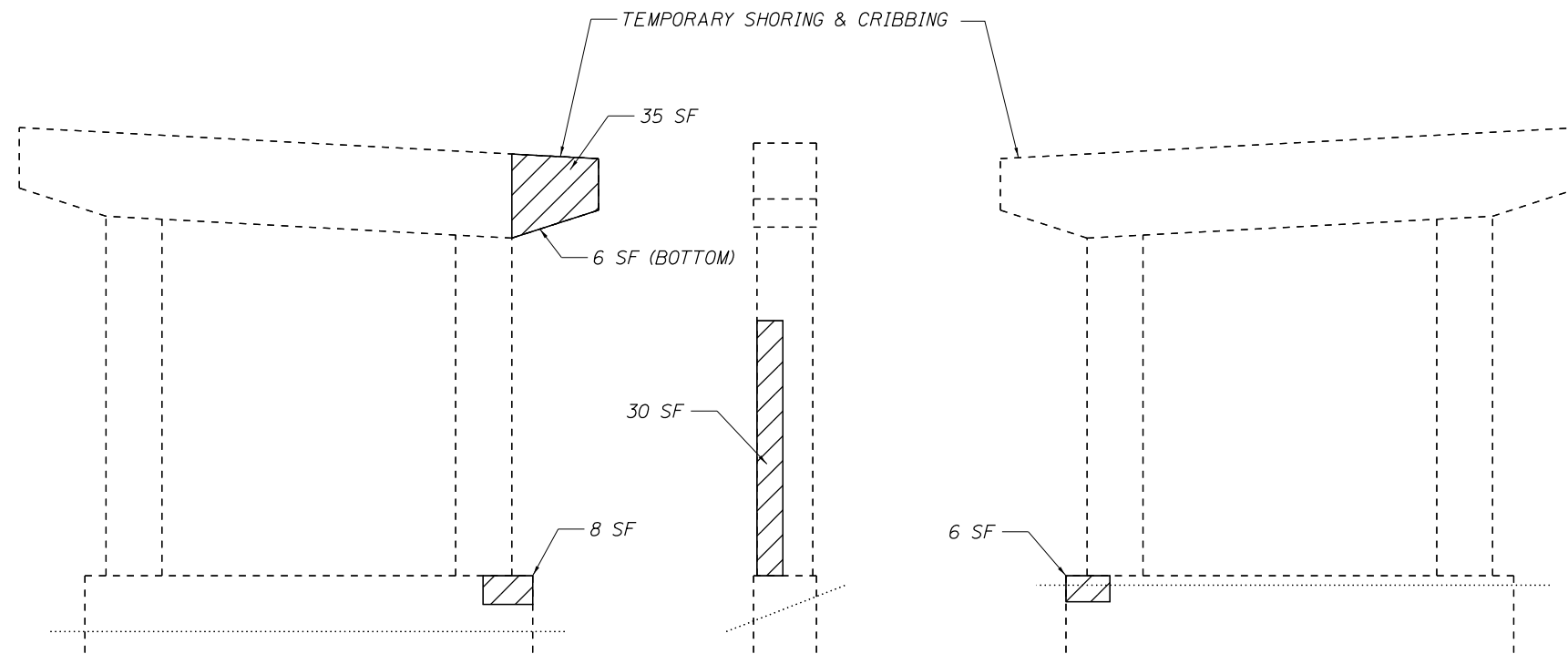
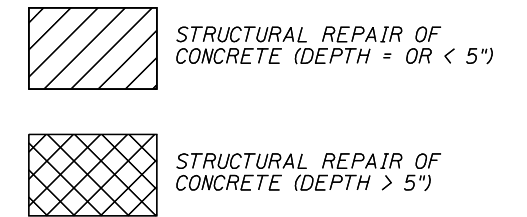
WEST PIER - SOUTH END

WEST PIER - EAST FACE

WEST PIER - NORTH END



WEST ABUTMENT - LOOKING WEST

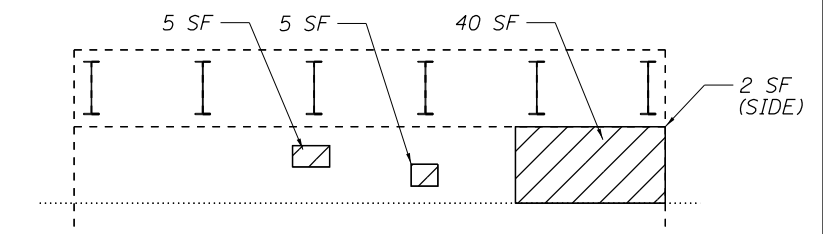


EAST PIER - WEST FACE

EAST PIER - SOUTH END

EAST PIER - EAST FACE

EAST PIER - NORTH END



EAST ABUTMENT - LOOKING EAST

*For reactions see sheet 1.

BILL OF MATERIAL - SN 069-0049 SUBSTRUCTURE REPAIR

ITEM	UNIT	QUANTITY
Structural Repair of Concrete (Depth = or < 5")	Sq. Ft.	268
Temporary Shoring and Cribbing	Each	2

MODEL: Default
FILE NAME: C:\CONTRACTS\OPERATIONS\Bridges\Bridges\CAD\72L87 - 0690049 & 0049 substructure repair\abntec.dgn

USER NAME = DUDLEYBM	DESIGNED -	REVISED -
PLOT SCALE = 100.0000 ' / in.	DRAWN -	REVISED -
PLOT DATE = 3/19/2020	CHECKED -	REVISED -
	DATE -	REVISED -

**STATE OF ILLINOIS
DEPARTMENT OF TRANSPORTATION**

**SUBSTRUCTURE REPAIRS
SN 069-0049**

SCALE: SHEET 4 OF 4 SHEETS STA. TO STA.

F.A.I. RTE.	SECTION	COUNTY	TOTAL SHEETS	SHEET NO.
72	(69-9) BRR-1, SLP	MORGAN	7	7
ILLINOIS FED. AID PROJECT			CONTRACT NO. 72L87	