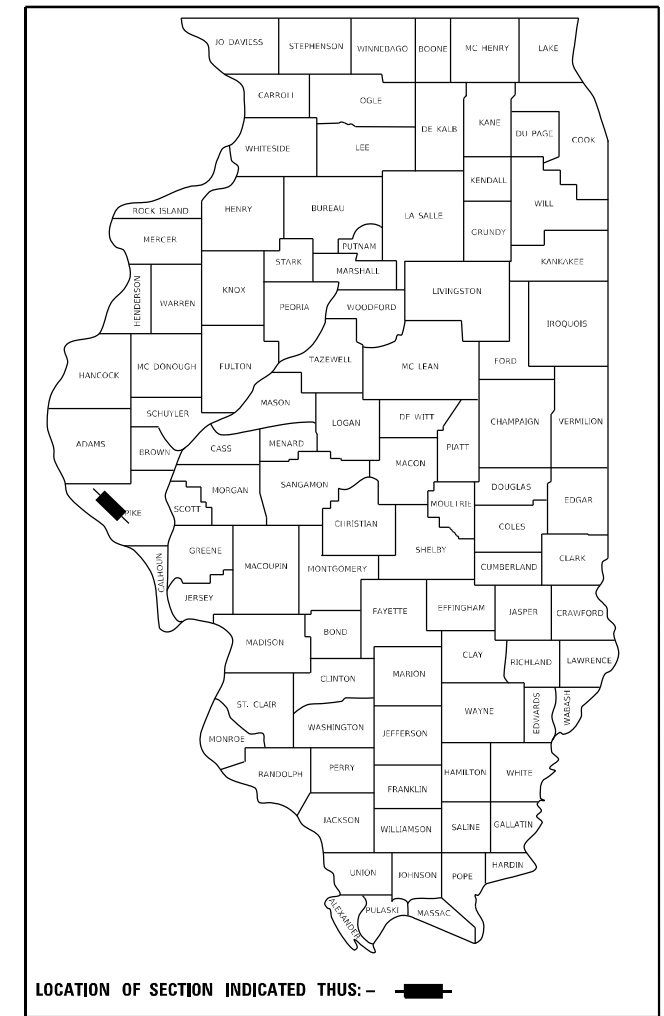


STATE OF ILLINOIS
DEPARTMENT OF TRANSPORTATION

F.A.I. RTE.	SECTION	COUNTY	TOTAL SHEETS	SHEET NO.
72	(75-1) PP	PIKE	13	1
		ILLINOIS	CONTRACT NO. 72M03	

D-96-071-20



PROPOSED HIGHWAY PLANS

FAI ROUTE 72, 172 (I-72, I-172)
SECTION (75-1) PP
PAVEMENT PATCHING
PIKE COUNTY

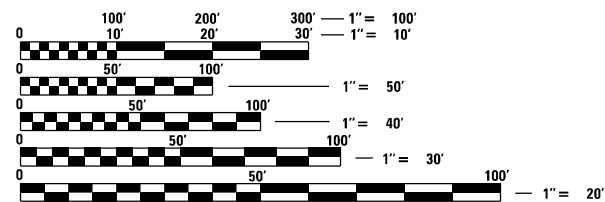
INDEX OF SHEETS

- 1 COVER SHEET
- 2 GENERAL NOTES SHEET
- 3 SUMMARY OF QUANTITIES
- 4-6 TYPICAL SECTIONS
- 7-10 SCHEDULES
- 11-13 EXISTING ALIGNMENT

HIGHWAY STANDARDS

000001-07	701106-02
001001-02	701400-09
001006	701401-12
421001-03	701411-09
442001-04	701901-08
701101-05	701456-05

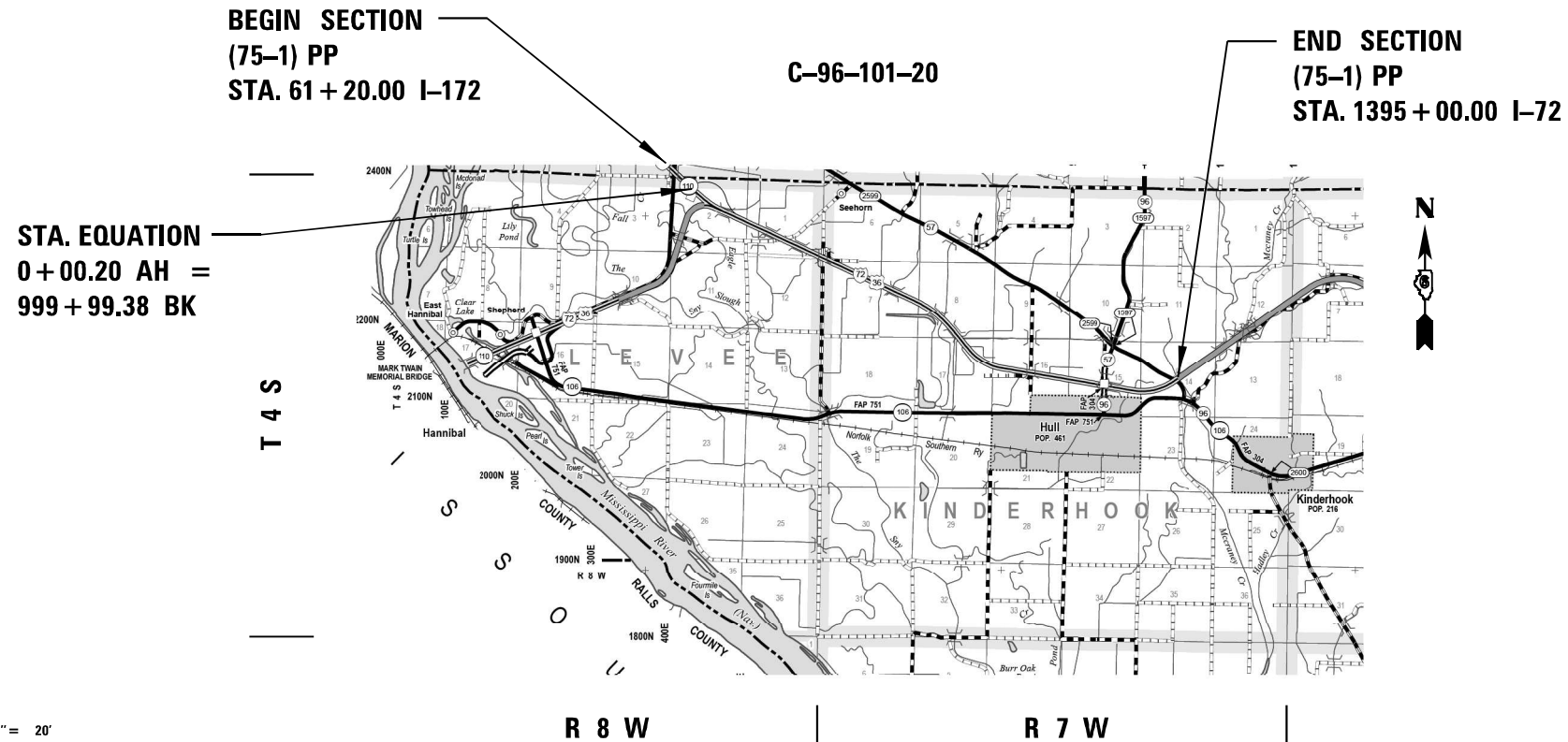
DESIGN DESIGNATION:
FAI 72, FAI 172 (I-72, I-172)
INTERSTATE
ADT = 8,650 (2020)
SU = 3.20%
MU = 26.74%



FULL SIZE PLANS HAVE BEEN PREPARED USING STANDARD ENGINEERING SCALES. REDUCED SIZED PLANS WILL NOT CONFORM TO STANDARD SCALES. IN MAKING MEASUREMENTS ON REDUCED PLANS, THE ABOVE SCALES MAY BE USED.

J.U.L.I.E.
JOINT UTILITY LOCATION INFORMATION FOR EXCAVATORS
1-800-892-0123
OR 811

PROJECT ENGINEER: JONATHAN KELLEY (217) 785-2739
PROJECT MANAGER: CHRIS SIEFERT (217) 524-7940
PROJECT DESIGNER: BRIAN MINDER (217) 557-7897
CONTRACT NO. 72M03



GROSS LENGTH = 45,620.42 FT. = 8.640 MILES
NET LENGTH = 45,620.42 FT. = 8.640 MILES

STATE OF ILLINOIS
DEPARTMENT OF TRANSPORTATION

SUBMITTED March 27 2020

[Signature]
REGIONAL ENGINEER

May 8, 2020
[Signature]
ENGINEER OF DESIGN AND ENVIRONMENT

May 8, 2020
[Signature]
DIRECTOR OF HIGHWAYS PROJECT IMPLEMENTATION


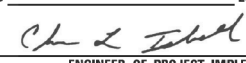
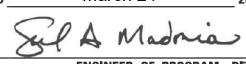
PRINTED BY THE AUTHORITY
OF THE STATE OF ILLINOIS

GENERAL NOTES

None

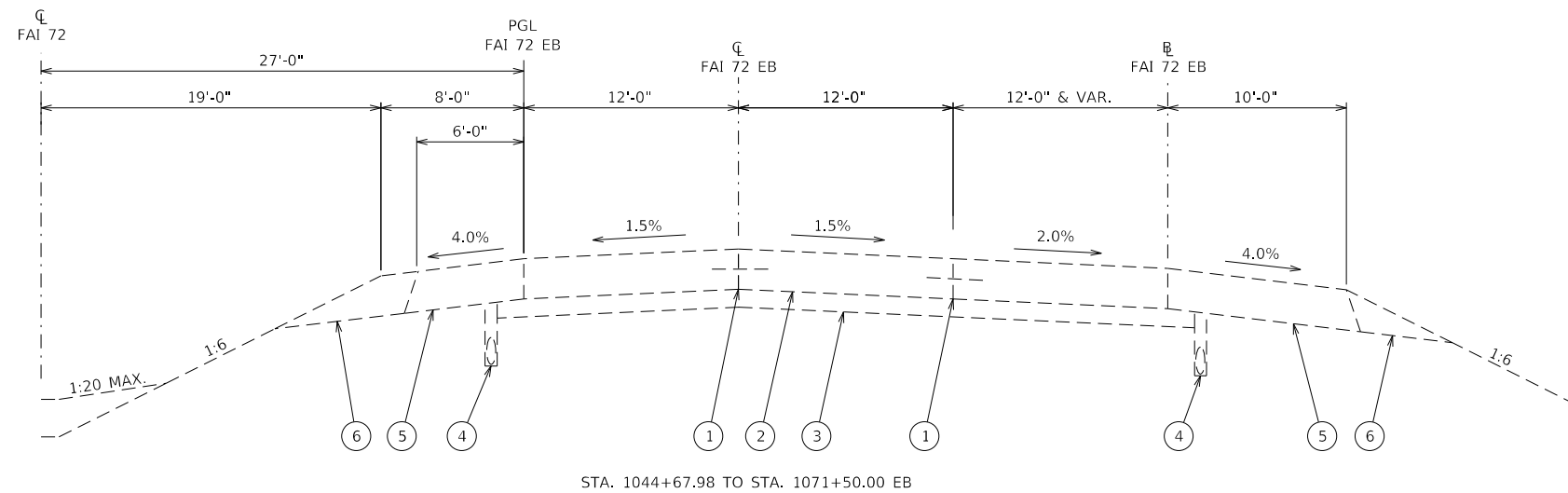
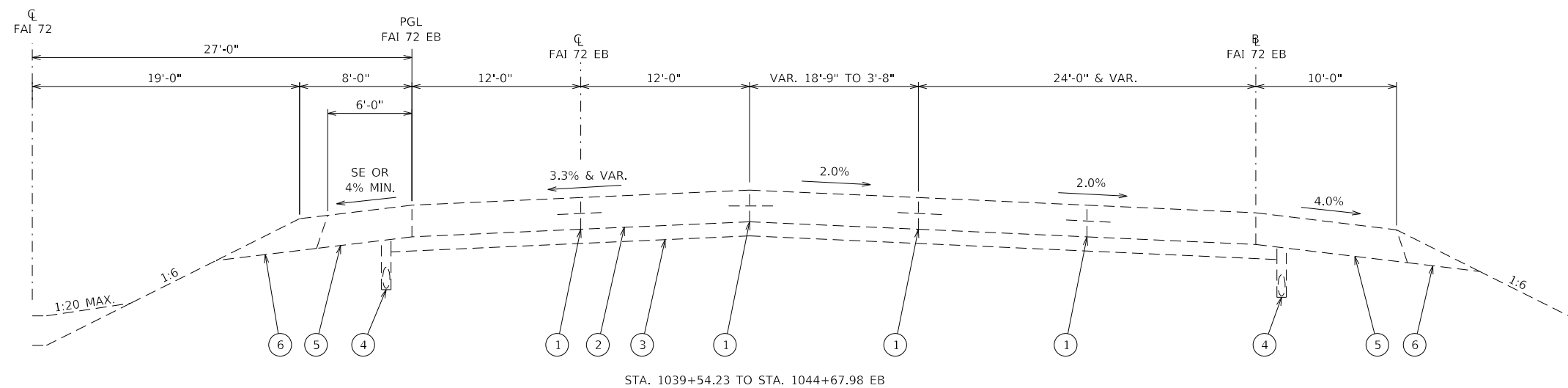
COMMITMENTS

None

STATE OF ILLINOIS DEPARTMENT OF TRANSPORTATION DIVISION OF HIGHWAYS DISTRICT 6	
EXAMINED <u>March 26</u> 20 <u>20</u>	
	
ENGINEER OF OPERATIONS	
EXAMINED <u>March 24</u> 20 <u>20</u>	
	
ENGINEER OF PROJECT IMPLEMENTATION	
EXAMINED <u>March 24</u> 20 <u>20</u>	
	
ENGINEER OF PROGRAM DEVELOPMENT	

MODEL: Default
 FILE: \\nashville.pva\pub\lansroom\data\illinois.gov\PWIDOT\Documents\DOT_Offices\District 6\Projects\Temp_172_Patchlog\CADData\CAD\Sheets\0672M03-ht-egenote.dgn

	USER NAME = minderbt	DESIGNED - _____	REVISED - _____	STATE OF ILLINOIS DEPARTMENT OF TRANSPORTATION	GENERAL NOTES			F.A.I. RTE.	SECTION	COUNTY	TOTAL SHEETS	SHEET NO.
		DRAWN - _____	REVISED - _____		SCALE: N/A	SHEET 1	OF 1	SHEETS	STA. N/A	TO STA. N/A	ILLINOIS	FED. AID PROJECT
	PLOT SCALE = 20.0000 ' / in.	CHECKED - _____	REVISED - _____		CONTRACT NO. 72M03							
	PLOT DATE = 3/26/2020	DATE - _____	REVISED - _____									



LEGEND

- ① EXIST. LONGITUDINAL JOINT
- ② EXIST. CONTINUOUSLY REINFORCED CONCRETE PAVEMENT, 9"
- ③ EXIST. STABILIZED SUBBASE, 4"
- ④ EXIST. PIPE UNDERDRAIN, 4"
- ⑤ EXIST. HMA SHOULDERS, 9"
- ⑥ EXIST. AGGREGATE SHOULDERS, TYPE B, 9"

MODEL: Default
 FILE: Model: Proj\pub\rooms.dwg
 ILLINOIS.GOV\PIUIDOT\Documents\DOT_Offices\District_6\Projects\Temp_172_Patching\CADD\Drawings\0672M03_ttypical.dwg

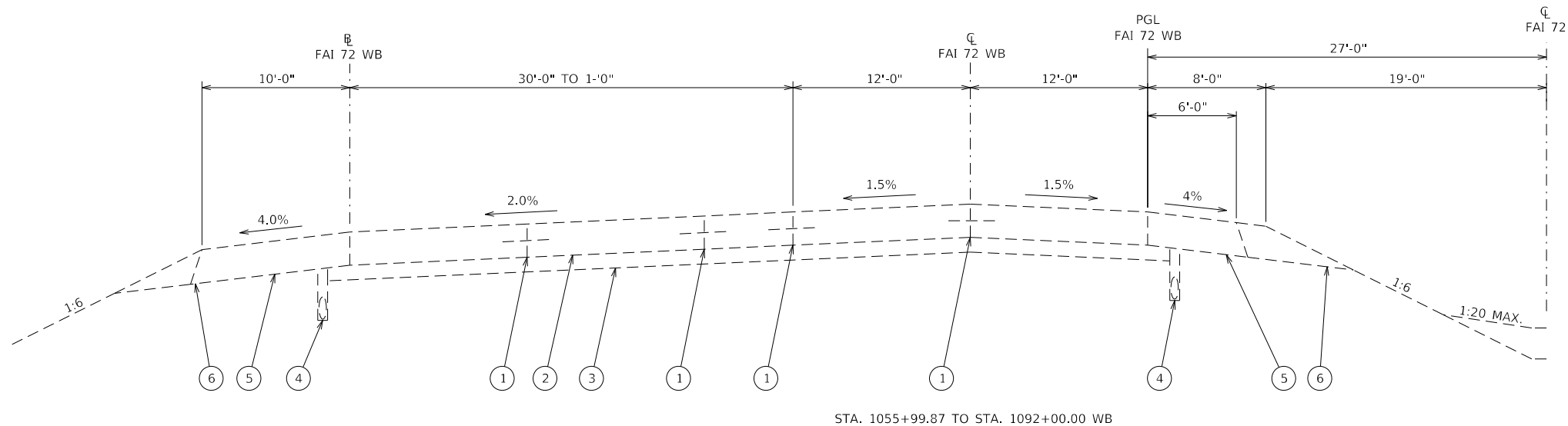
USER NAME = minderbt	DESIGNED - _____	REVISED - _____
DRAWN - _____	REVISIONS - _____	REVISIONS - _____
PLOT SCALE = 10.0000 ' / in.	CHECKED - _____	REVISIONS - _____
PLOT DATE = 3/26/2020	DATE - _____	REVISIONS - _____

**STATE OF ILLINOIS
DEPARTMENT OF TRANSPORTATION**

TYPICAL SECTIONS

SCALE: NTS SHEET 2 OF 3 SHEETS STA. N/A TO STA. N/A

F.A.I. RTE. 72	SECTION (75-1) PP	COUNTY PIKE	TOTAL SHEETS 13	SHEET NO. 5
CONTRACT NO. 72M03			ILLINOIS FED. AID PROJECT	



STA. 1055+99.87 TO STA. 1092+00.00 WB

LEGEND

- ① EXIST. LONGITUDINAL JOINT
- ② EXIST. CONTINUOUSLY REINFORCED CONCRETE PAVEMENT, 9"
- ③ EXIST. STABILIZED SUBBASE, 4"
- ④ EXIST. PIPE UNDERDRAIN, 4"
- ⑤ EXIST. HMA SHOULDERS, 9"
- ⑥ EXIST. AGGREGATE SHOULDERS, TYPE B, 9"

MODEL: Default
 FILE: Model_C:\pub\planroom.dwg
 I:\projects\72M03\Drawings\DOT\Office\Drawings\72M03\Drawings\72M03.dwg
 I:\projects\72M03\Drawings\DOT\Office\Drawings\72M03\Drawings\72M03.dwg

USER NAME = minderbt	DESIGNED - _____	REVISED - _____
DRAWN - _____	REVISIONS - _____	REVISIONS - _____
PLOT SCALE = 10.0000 ' / in.	CHECKED - _____	REVISIONS - _____
PLOT DATE = 3/26/2020	DATE - _____	REVISIONS - _____

**STATE OF ILLINOIS
DEPARTMENT OF TRANSPORTATION**

TYPICAL SECTIONS

SCALE: NTS SHEET 3 OF 3 SHEETS STA. N/A TO STA. N/A

F.A.I. RTE.	SECTION	COUNTY	TOTAL SHEETS	SHEET NO.
72	(75-1) PP	PIKE	13	6
CONTRACT NO. 72M03				
ILLINOIS FED. AID PROJECT				

PATCHING SCHEDULE

STA.	LANE	LENGTH (FT)	WIDTH (FT)	AREA (SQ YD)	44200537 CL A PATCHES, TY I, 9" (SQ YD)	44200541 CL A PATCHES, TY II, 9" (SQ YD)	44200545 CL A PATCHES, TY III, 9" (SQ YD)	44200547 CL A PATCHES, TY IV, 9" (SQ YD)	44213000 PATCHING REINFORCEMENT (SQ YD)	44213200 SAW CUTS (FT)	44213204 TIE BARS 3/4" (EACH)
WB MAINLINE											
61+20	Drive	6	12	8		8			8	60	
47+85	Drive	7	12	9		9			9	62	
41+90	Pass	6	12	8		8			8	60	
37+60	Pass	6	12	8		8			8	60	
36+22	Drive	6	12	8		8			8	60	
30+20	Drive	6	12	8		8			8	60	
6+54	Drive	6	12	8		8			8	60	
1005+60	Drive	6	12	8		8			8	60	
1010+70	Drive	6	12	8		8			8	60	
1024+25	Drive	7	12	9		9			9	62	
1024+75	Drive	20	12	27				27	27	88	
1026+80	Pass	6	12	8		8			8	60	
1027+85	Drive	6	12	8		8			8	60	
1028+20	Drive	7	12	9		9			9	62	
1029+80	Drive	6	12	8		8			8	60	
1069+80	Drive	20	12	27				27	27	88	
1069+80	Pass	10	12	13		13			13	68	
1070+00	Drive	6	12	8		8			8	60	
1070+00	Pass	6	12	8		8			8	60	
1074+15	Drive	6	12	8		8			8	60	
1074+15	Pass	6	12	8		8			8	60	
1088+50	Drive	6	12	8		8			8	60	
1089+18	Drive	6	12	8		8			8	60	
1102+65	Drive	6	12	8		8			8	60	
1104+23	Drive	6	12	8		8			8	60	
1110+20	Drive	6	12	8		8			8	60	
1134+75	Drive	6	12	8		8			8	60	
1157+50	Drive	6	12	8		8			8	60	
1158+68	Drive	6	12	8		8			8	60	
1198+80	Drive	6	12	8		8			8	60	
1201+25	Drive	6	12	8		8			8	60	
1207+00	Drive	6	12	8		8			8	60	
1210+40	Drive	6	12	8		8			8	60	
1213+55	Drive	6	12	8		8			8	60	
1213+70	Drive	6	12	8		8			8	60	
1222+30	Drive	6	12	8		8			8	60	
1223+80	Drive	6	12	8		8			8	60	
1224+10	Drive	6	12	8		8			8	60	
1242+25	Drive	6	12	8		8			8	60	
1245+61	Drive	9	12	12		12			12	66	
1246+07	Drive	6	12	8		8			8	60	
1252+95	Pass	6	12	8		8			8	60	
1253+25	Pass	6	12	8		8			8	60	
1256+20	Drive	6	12	8		8			8	60	
1261+35	Drive	6	12	8		8			8	60	
1313+92	Drive	12	12	16			16		16	72	
1323+40	Drive	6	12	8		8			8	60	
1325+60	Drive	6	12	8		8			8	60	
1325+80	Drive	6	12	8		8			8	60	
1328+30	Drive	8	6	5		5			5	40	
1328+45	Drive	8	6	5		5			5	40	
1328+55	Drive	6	12	8		8			8	60	

MODEL: Default
 FILE: Mainline_Patching.dwg
 PROJECT: ILLINOIS STATE ROADWAY PROJECTS
 DRAWING: PATCHING SCHEDULE
 SHEET: 72 OF 72
 DATE: 3/26/2020

USER NAME = minderb	DESIGNED - _____	REVISED - _____
PLOT SCALE = 20.0000' / in.	CHECKED - _____	REVISED - _____
PLOT DATE = 3/26/2020	DATE - _____	REVISED - _____

STATE OF ILLINOIS
DEPARTMENT OF TRANSPORTATION

SCHEDULE OF QUANTITIES			
SCALE: N/A	SHEET 1 OF 4 SHEETS	STA. N/A	TO STA. N/A

F.A.I. RTE.	SECTION	COUNTY	TOTAL SHEETS	SHEET NO.
72	(75-1) PP	PIKE	13	7
CONTRACT NO. 72M03				
ILLINOIS FED. AID PROJECT				

PATCHING SCHEDULE

STA.	LANE	LENGTH (FT)	WIDTH (FT)	AREA (SQ YD)	44200537 CL A PATCHES, TY I, 9" (SQ YD)	44200541 CL A PATCHES, TY II, 9" (SQ YD)	44200545 CL A PATCHES, TY III, 9" (SQ YD)	44200547 CL A PATCHES, TY IV, 9" (SQ YD)	44213000 PATCHING REINFORCEMENT (SQ YD)	44213200 SAW CUTS (FT)	44213204 TIE BARS 3/4" (EACH)
1328+80	Drive	8	6	5		5			5	40	
1329+00	Drive	24	6	16			16		16	72	11
1329+30	Drive	12	6	8		8			8	48	
1329+76	Drive	8	6	5		5			5	40	
1350+00	Pass	25	6	17			17		17	74	12
1356+75	Drive	235	6	157				157	157	494	117
1357+40	Pass	40	12	53				53	53	128	19
1360+24	Drive	80	6	53				53	53	184	39
1360+50	Pass	30	12	40				40	40	108	14
1368+00	Pass	6	12	8		8			8	60	
1373+68	Drive	6	12	8		8			8	60	
1389+90	Drive	6	12	8		8			8	60	
WB DIVERGENCE											
729+70	Drive	10	12	13		13			13	68	
734+05	Drive	6	12	8		8			8	60	
741+75	Drive	6	12	8		8			8	60	
754+45	Drive	6	4	3	3				3	26	
EB MAINLINE											
1+70	Drive	6	12	8		8			8	60	
1001+04	Drive	6	12	8		8			8	60	
1005+02	Drive	6	12	8		8			8	60	
1005+18	Drive	6	12	8		8			8	60	
1020+90	Drive	6	12	8		8			8	60	
1021+80	Pass	6	12	8		8			8	60	
1022+00	Drive	6	12	8		8			8	60	
1024+82	Drive	6	12	8		8			8	60	
1038+10	Drive	6	12	8		8			8	60	
1038+51	Drive	6	12	8		8			8	60	
1048+75	Drive	6	12	8		8			8	60	
1062+25	Drive	6	12	8		8			8	60	
1065+20	Drive	6	12	8		8			8	60	
1066+50	Drive	8	12	11		11			11	64	
1066+80	Drive	8	12	11		11			11	64	
1067+20	Drive	6	12	8		8			8	60	
1078+02	Drive	16	12	21			21		21	80	
1082+17	Drive	10	12	13		13			13	68	
1082+17	Pass	6	12	8		8			8	60	
1083+70	Drive	6	12	8		8			8	60	
1089+55	Drive	8	12	11		11			11	64	
1091+80	Drive	6	12	8		8			8	60	
1092+00	Drive	6	12	8		8			8	60	
1100+22	Drive	20	12	27				27	27	88	
1107+50	Drive	6	12	8		8			8	60	
1107+80	Drive	7	12	9		9			9	62	
1108+20	Drive	6	12	8		8			8	60	
1109+60	Drive	6	12	8		8			8	60	
1110+92	Pass	6	12	8		8			8	60	
1111+26	Drive	7	12	9		9			9	62	
1115+72	Drive	6	12	8		8			8	60	
1125+50	Drive	6	12	8		8			8	60	
1132+00	Drive	6	12	8		8			8	60	

MODEL: Default
FILE: Model: Patching Schedule.dgn
PROJECT: I:\Projects\Temp\172_Patching\CADData\CAD\Drawings\172_Patching\172_Patching.dwg
DATE: 3/26/2020

USER NAME = minderb	DESIGNED - _____	REVISED - _____
PLOT SCALE = 20.0000 ' / in.	CHECKED - _____	REVISED - _____
PLOT DATE = 3/26/2020	DATE - _____	REVISED - _____

**STATE OF ILLINOIS
DEPARTMENT OF TRANSPORTATION**

SCHEDULE OF QUANTITIES	
SCALE: N/A	SHEET 2 OF 4 SHEETS STA. N/A TO STA. N/A

F.A.I. RTE.	SECTION	COUNTY	TOTAL SHEETS	SHEET NO.
72	(75-1) PP	PIKE	13	8
CONTRACT NO. 72M03				
ILLINOIS FED. AID PROJECT				

PATCHING SCHEDULE

STA.	LANE	LENGTH (FT)	WIDTH (FT)	AREA (SQ YD)	44200537 CL A PATCHES, TY I, 9" (SQ YD)	44200541 CL A PATCHES, TY II, 9" (SQ YD)	44200545 CL A PATCHES, TY III, 9" (SQ YD)	44200547 CL A PATCHES, TY IV, 9" (SQ YD)	44213000 PATCHING REINFORCEMENT (SQ YD)	44213200 SAW CUTS (FT)	44213204 TIE BARS 3/4" (EACH)
1134+15	Drive	6	12	8		8			8	60	
1134+68	Drive	6	12	8		8			8	60	
1138+79	Drive	6	12	8		8			8	60	
1140+74	Drive	6	12	8		8			8	60	
1144+64	Drive	6	12	8		8			8	60	
1148+11	Drive	6	12	8		8			8	60	
1161+60	Drive	6	12	8		8			8	60	
1163+50	Drive	6	12	8		8			8	60	
1164+07	Drive	6	12	8		8			8	60	
1165+60	Drive	6	12	8		8			8	60	
1166+60	Drive	6	12	8		8			8	60	
1169+45	Drive	14	12	19			19		19	76	
1200+76	Drive	6	12	8		8			8	60	
1203+24	Drive	6	12	8		8			8	60	
1206+40	Drive	6	12	8		8			8	60	
1221+70	Pass	6	12	8		8			8	60	
1223+96	Drive	8	12	11		11			11	64	
1227+25	Drive	6	12	8		8			8	60	
1237+50	Drive	6	12	8		8			8	60	
1237+90	Drive	6	12	8		8			8	60	
1240+25	Drive	6	12	8		8			8	60	
1240+45	Drive	6	12	8		8			8	60	
1241+02	Drive	6	12	8		8			8	60	
1241+15	Drive	6	12	8		8			8	60	
1241+34	Drive	6	12	8		8			8	60	
1242+58	Drive	6	12	8		8			8	60	
1243+10	Drive	6	12	8		8			8	60	
1246+09	Drive	6	12	8		8			8	60	
1247+45	Drive	6	12	8		8			8	60	
1255+47	Drive	6	12	8		8			8	60	
1255+65	Drive	6	12	8		8			8	60	
1255+85	Drive	6	12	8		8			8	60	
1256+45	Drive	6	12	8		8			8	60	
1256+65	Drive	6	12	8		8			8	60	
1261+65	Drive	6	12	8		8			8	60	
1266+25	Drive	7	12	9		9			9	62	
1266+90	Drive	6	12	8		8			8	60	
1307+15	Drive	6	12	8		8			8	60	
1331+65	Drive	6	12	8		8			8	60	
1331+75	Drive	68	12	91				91	91	184	33
1332+37	Drive	7	12	9		9			9	62	
1332+46	Drive	13	12	17			17		17	74	
1332+72	Drive	128	12	171				171	171	304	63
1336+20	Drive	6	12	8		8			8	60	
1341+01	Drive	6	12	8		8			8	60	
1359+21	Drive	7	12	9		9			9	62	
1367+60	Drive	16	12	21			21		21	80	
1383+00	Drive	6	12	8		8			8	60	
1383+45	Drive	6	12	8		8			8	60	
1385+31	Drive	6	12	8		8			8	60	
1387+21	Drive	6	12	8		8			8	60	
1388+73	Drive	6	12	8		8			8	60	
1388+98	Drive	6	12	8		8			8	60	
1390+80	Drive	7	12	9		9			9	62	

MODEL: Default
 FILE: Model: Patching.dwg
 PROJECT: I:\Projects\Temp\172_Patching\CADDData\CADDData\172_Patching.dwg
 PLOT DATE: 3/26/2020

USER NAME = minderb	DESIGNED - _____	REVISED - _____
PLOT SCALE = 20.0000 ' / in.	CHECKED - _____	REVISED - _____
PLOT DATE = 3/26/2020	DATE - _____	REVISED - _____

**STATE OF ILLINOIS
DEPARTMENT OF TRANSPORTATION**

SCHEDULE OF QUANTITIES

SCALE: N/A SHEET 3 OF 4 SHEETS STA. N/A TO STA. N/A

F.A.I. RTE.	SECTION	COUNTY	TOTAL SHEETS	SHEET NO.
72	(75-1) PP	PIKE	13	9
CONTRACT NO. 72M03				
ILLINOIS FED. AID PROJECT				

PATCHING SCHEDULE											
STA.	LANE	LENGTH (FT)	WIDTH (FT)	AREA (SQ YD)	44200537 CL A PATCHES, TY I, 9" (SQ YD)	44200541 CL A PATCHES, TY II, 9" (SQ YD)	44200545 CL A PATCHES, TY III, 9" (SQ YD)	44200547 CL A PATCHES, TY IV, 9" (SQ YD)	44213000 PATCHING REINFORCEMENT (SQ YD)	44213200 SAW CUTS (FT)	44213204 TIE BARS 3/4" (EACH)
1392+15	Drive	6	12	8		8			8	60	
EB CONVERGENCE											
179+05	Drive	43	12	57				57	57	134	21
182+10	Pass	6	12	8		8			8	60	
182+20	Pass	6	12	8		8			8	60	
187+00	Pass	9	12	12		12			12	66	
191+58	Pass	8	9	8		8			8	51	
TOTALS =					3	1,180	128	702	2,012	10,903	329

MODEL: Default
 FILE: \\nas101.psu.edu\lanroom\data\illinois.gov\RWIDOT\Documents\DOT_Offices\Ibirtct_6\Projects\Temp_172_Patching\CADD\data\CADD\sheet\0672M03-ht-schedule.dgn

USER NAME = minderbt	DESIGNED - _____	REVISED - _____
	DRAWN - _____	REVISED - _____
PLOT SCALE = 20.0000 ' / in.	CHECKED - _____	REVISED - _____
PLOT DATE = 3/26/2020	DATE - _____	REVISED - _____

**STATE OF ILLINOIS
DEPARTMENT OF TRANSPORTATION**

SCHEDULE OF QUANTITIES			
SCALE: N/A	SHEET 4	OF 4 SHEETS	STA. N/A TO STA. N/A

F.A.I. RTE.	SECTION	COUNTY	TOTAL SHEETS	SHEET NO.
72	(75-1) PP	PIKE	13	10
CONTRACT NO. 72M03			ILLINOIS FED. AID PROJECT	



MODEL: Default
 FILE: \\blakec:\pub\planroom\dat\illinois\pwr\WIDOT\Documents\DOT_Offices\Director_6\Projects\Temp_172_Patch\CA\DATA\CA\Drawings\10672M03-1ht-ATB.dgn

BEGIN PROJECT
 SECTION (75-1) PP
 STA. 61+20.00

STATION EQUATION
 POT #611 Sta 0+00.30AH=
 POT #536 Sta 99+99.38BK

MATCH LINE
 STA. 1110+00.00

USER NAME = minderbt	DESIGNED - _____	REVISED - _____
	DRAWN - _____	REVISED - _____
PLOT SCALE = 1000.0000' / in.	CHECKED - _____	REVISED - _____
PLOT DATE = 3/26/2020	DATE - _____	REVISED - _____

**STATE OF ILLINOIS
 DEPARTMENT OF TRANSPORTATION**

ALIGNMENT SHEETS			
SCALE: 1" = 500'	SHEET 1	OF 3 SHEETS	STA. 61+20.00 TO STA. 1110+00.00

F.A.I. RTE.	SECTION	COUNTY	TOTAL SHEETS	SHEET NO.
72	(75-1) PP	PIKE	13	11
CONTRACT NO. 72M03				
ILLINOIS FED. AID PROJECT				



POT Sta 265+00.00
#1966

MATCH LINE
STA. 1110+00.00

POT#1964 Sta 250+00.00 =
POT Sta 1121+95.16

175th ST.

I-72

I-72

MATCH LINE STA. 1260+00.00

MODEL: Default
FILE: \\blairc:\pub\blairroom\data\illinois\pwr\WIDOT\Documents\DOT_Offices\Director\Projects\Temp_172_Patch\hwy\CADD\data\CAD\sheet\12672M03-ht-ATB.dgn

USER NAME = minderbt	DESIGNED - _____	REVISED - _____
DRAWN - _____	REVISIONS - _____	
PLOT SCALE = 1000.0000' / in.	CHECKED - _____	REVISED - _____
PLOT DATE = 3/26/2020	DATE - _____	REVISED - _____

**STATE OF ILLINOIS
DEPARTMENT OF TRANSPORTATION**

ALIGNMENT SHEETS			
SCALE: 1" = 500'	SHEET 2	OF 3 SHEETS	STA. 1110+00.00 TO STA. 1260+00.00

F.A.I. RTE.	SECTION	COUNTY	TOTAL SHEETS	SHEET NO.
72	(75-1) PP	PIKE	13	12
CONTRACT NO. 72M03				
ILLINOIS FED. AID PROJECT				



MODEL: Default
 FILE: \\nas01c.psu.edu\pub\baronm.d\at\links\gov\PI\DOT\Documents\DOT_Offices\District 6\Projects\IComp_172_Patch\hwy\CA\DATA\CA\Drawings\1396+00.00-172-ATB.dgn

USER NAME = minderbt	DESIGNED - _____	REVISED - _____
	DRAWN - _____	REVISED - _____
PLOT SCALE = 1000.0000 ' / in.	CHECKED - _____	REVISED - _____
PLOT DATE = 3/26/2020	DATE - _____	REVISED - _____

**STATE OF ILLINOIS
DEPARTMENT OF TRANSPORTATION**

ALIGNMENT SHEETS

SCALE: 1" = 500' SHEET 3 OF 3 SHEETS STA. 1260+00.00 TO STA. 1395+00.00

F.A.I. RTE.	SECTION	COUNTY	TOTAL SHEETS	SHEET NO.
72	(75-1) PP	PIKE	13	13
CONTRACT NO. 72M03				
ILLINOIS FED. AID PROJECT				