

STATE OF ILLINOIS
DEPARTMENT OF TRANSPORTATION

FAU ROUTE	SECTION	COUNTY	TOTAL SHEETS	SHEET NO.
5106	103TS	WINNEBAGO	4	3
		ILLINOIS	CONTRACT NO. 64P03	

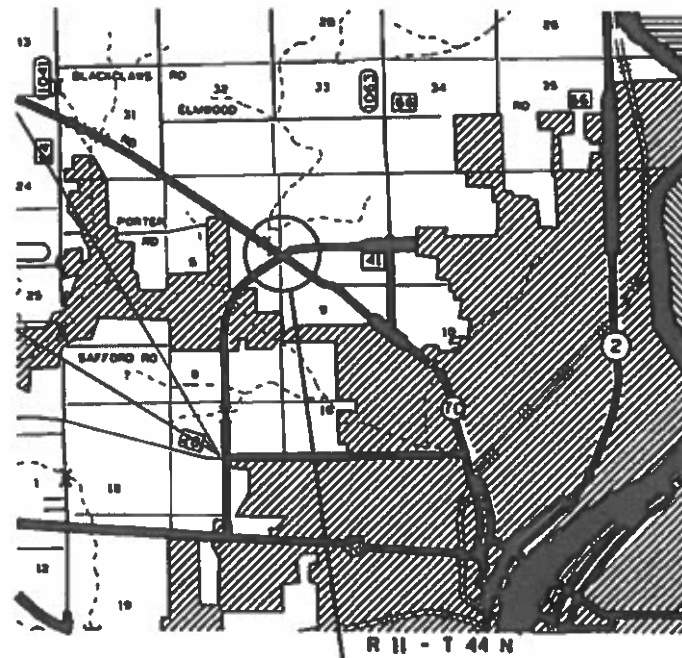
INDEX OF SHEETS
1 COVER SHEET
2 SUMMARY OF QUANTITIES
3 PLAN SHEET AND NOTES
4 CABLE PLAN SHEET

STANDARDS
701006-05
701101-05
701201-05
701601-09
701701-10
701901-08
805001-01
857001-01
880006-01

PROPOSED
HIGHWAY PLANS

FAU ROUTE 5106 (IL 70)
SECTION 103TS-1
PROJECT HSIP-SZA0(102)
TRAFFIC SIGNAL UPGRADES
WINNEBAGO COUNTY

C-92-048-20



PROJECT LOCATION
IL 70 AT N SPRINGFIELD AVE/
W RIVERSIDE BLVD



LOCATION OF SECTION INDICATED THIS: - [Symbol]

J.U.L.I.E.
JOINT UTILITY LOCATION INFORMATION FOR EXCAVATORS
1-800-892-0123
OR 811

PROJECT ENGINEER SCOTT KULLERSTRAND 815-284-5468
PROJECT MANAGER KRISTINE HILL 815-284-5476

CONTRACT NO. 64P03

STATE OF ILLINOIS
DEPARTMENT OF TRANSPORTATION

SUBMITTED March 13 20 20

[Signature]
REGIONAL ENGINEER

MAY 8 20 20

[Signature]
ENGINEER OF DESIGN AND ENVIRONMENT

MAY 8 20 20

[Signature]
DIRECTOR OF HIGHWAYS PROJECT IMPLEMENTATION

PRINTED BY THE AUTHORITY
OF THE STATE OF ILLINOIS

			HSIP 90%
			STATE
			10%
PAY CODE	ITEM	UNIT	TOTAL
67100100	MOBILIZATION	L SUM	1
70102635	TRAFFIC CONTROL AND PROTECTION STANDARD 701701	L SUM	1
* 72000100	SIGN PANEL TYPE 1	SQ FT	25
80500100	SERVICE INSTALLATION TYPE A	EACH	1
82110007	LUMINAIRE, LED ROADWAY, OUTPUT DESIGNATION G	EACH	4
84500120	REMOVAL OF ELECTRIC SERVICE INSTALLATION	EACH	1
85000200	MAINTENANCE OF EXISTING TRAFFIC SIGNAL INSTALLATION	EACH	1
85700200	FULL-ACTUATED CONTROLLER AND TYPE IV CABINET	EACH	1
88040070	SIGNAL HEAD, POLYCARBONATE, LED, 1-FACE, 3-SECTION, BRACKET MOUNTED	EACH	4
88040090	SIGNAL HEAD, POLYCARBONATE, LED, 1-FACE, 3-SECTION, MAST ARM MOUNTED	EACH	4
88200100	TRAFFIC SIGNAL BACKPLATE	EACH	4
89502375	REMOVE TRAFFIC SIGNAL EQUIPMENT	EACH	1
X8950105	REMOVE EXISTING TRAFFIC CONTROLLER AND CABINET	EACH	1
Z0033072	VIDEO VEHICLE DETECTION SYSTEM	EACH	1

*= SPECIALTY ITEM

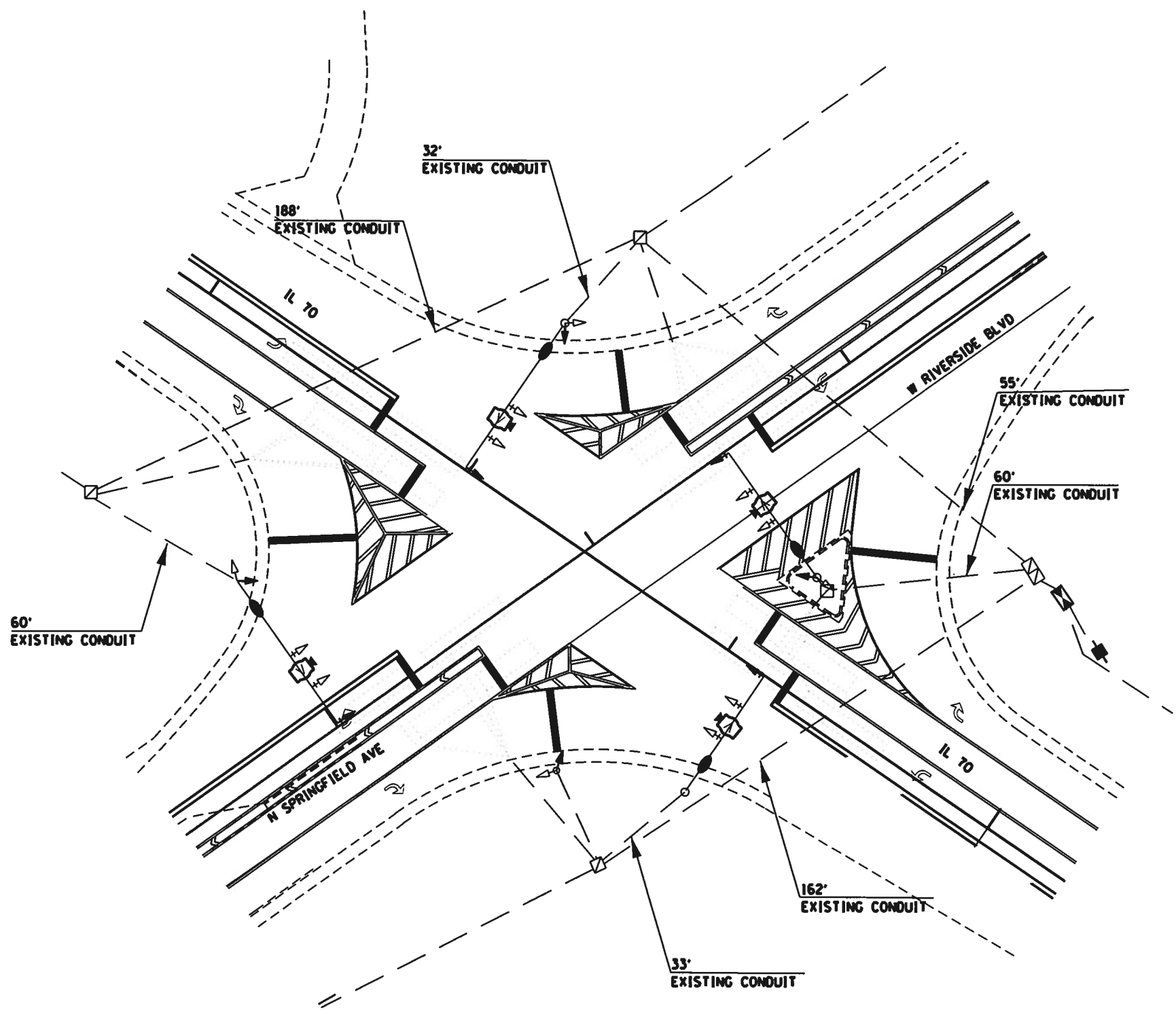
MODPL: Default
 FILE NAME: P:\PROJECTS\CONTRACT 64P03 IL 70 AT SPRINGFIELD AVE\TRAFFIC PLAN.dgn

USER NAME = nhikt	DESIGNED -	REVISED -	STATE OF ILLINOIS DEPARTMENT OF TRANSPORTATION	IL 70 AT SPRINGFIELD AVE SIGNAL MODIFICATION		F.A.U. RTE.	SECTION	COUNTY	TOTAL SHEETS	SHEET NO
PLOT SCALE = 41.521 / in.	DRAWN -	REVISED -		SCALE: _____	SHEET _____ OF _____ SHEETS	STA. _____ TO STA. _____	103T5-1	WINNEBAGO	4	2
PLOT DATE = Mar-16-2020 09:07:54 AM	CHECKED -	REVISED -		SUMMARY OF QUANTITIES		ILLINOIS FED. AID PROJECT		CONTRACT NO. 64P03		

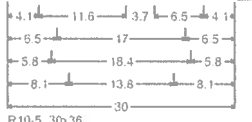
SUMMARY OF QUANTITIES

• 5106 IL 701

REV. 5/4/20



LEFT ON GREEN ARROW ONLY



R10-5_30x36
 1 1/2" Radius, 0.8" Border, 0.5" Incent, Black on White
 [LEFT ON] C 2K specified length.
 [GREEN] C 2K specified length.
 [ARROW] C 2K specified length.
 [ONLY] C 2K specified length.
 Table of distances between letter and object lefts

L	E	F	O	R
4.1	3.1	3.2	2.7	6.3
G	R	E	E	N
6.5	3.8	3.6	3.4	2.8
A	R	R	O	W
5.8	3.9	3.6	3.6	3.5
O	N	L	Y	
8.1	3.9	2.9	2.8	3.2



NOTE:

EXISTING CONTROLLER CABINET SHALL BE REMOVED AND THE NEW CABINET SHALL BE PLACED ON THE EXISTING FOUNDATION.

THE SERVICE INSTALLATION SHALL REMAIN IN THE EXISTING LOCATION. WIRING MAY BE REUSED IF IN GOOD CONDITION.

REMOVE LOOP DETECTOR WIRING WHERE POSSIBLE. ABANDON CONDUIT IN PLACE FOR ADVANCE LOOP WIRING.

VIDEO DETECTION SHALL BE IN ACCORDANCE WITH SPECIAL PROVISION AND APPROVED BY IDOT D2 BUREAU OF OPERATIONS SCOTT KULLERSTRAND 815-284-5468

ALL TRAFFIC SIGNAL EQUIPMENT TO BE REMOVED SHALL REMAIN THE PROPERTY OF THE DEPARTMENT OF TRANSPORTATION

LEGEND

- NEW CONTROLLER
- EXISTING STEEL MAST ARM ASSEMBLY AND POLE
- EXISTING SIGNAL HEAD AND POST
- NEW SIGNAL HEAD AND POST
- EXISTING SIGNAL HEAD
- NEW SIGNAL HEAD WITH BACKPLATE
- EXISTING HANDHOLE
- EXISTING CONDUIT (LENGTHS ARE ESTIMATED)
- LUMINAIRE, LED ROADWAY, OUTPUT DESIGNATION G ON EXISTING ARMS

MODEL: Default
 FILE NAME: \\projects\contract\64903.il_70.at_springfield\64903_traffic_plan.dgn

USER NAME = hillki	DESIGNED -	REVISED -
PLOT SCALE = 41.521 in.	DRAWN -	REVISED -
PLOT DATE = Mar-16-2020 09:07:44 AM	CHECKED -	REVISED -
	DATE -	REVISED -

**STATE OF ILLINOIS
 DEPARTMENT OF TRANSPORTATION**

**IL 70 AT SPRINGFIELD AVE
 SIGNAL MODIFICATION**

F.A.U. RTE.	SECTION	COUNTY	TOTAL SHEETS	SHEET NO.
-	103TS-1	WINNEBAGO	4	3
CONTRACT NO. 64P03			ILLINOIS FED. AID PROJECT	

SCALE: _____ SHEET _____ OF _____ SHEETS STA. _____ TO STA. _____

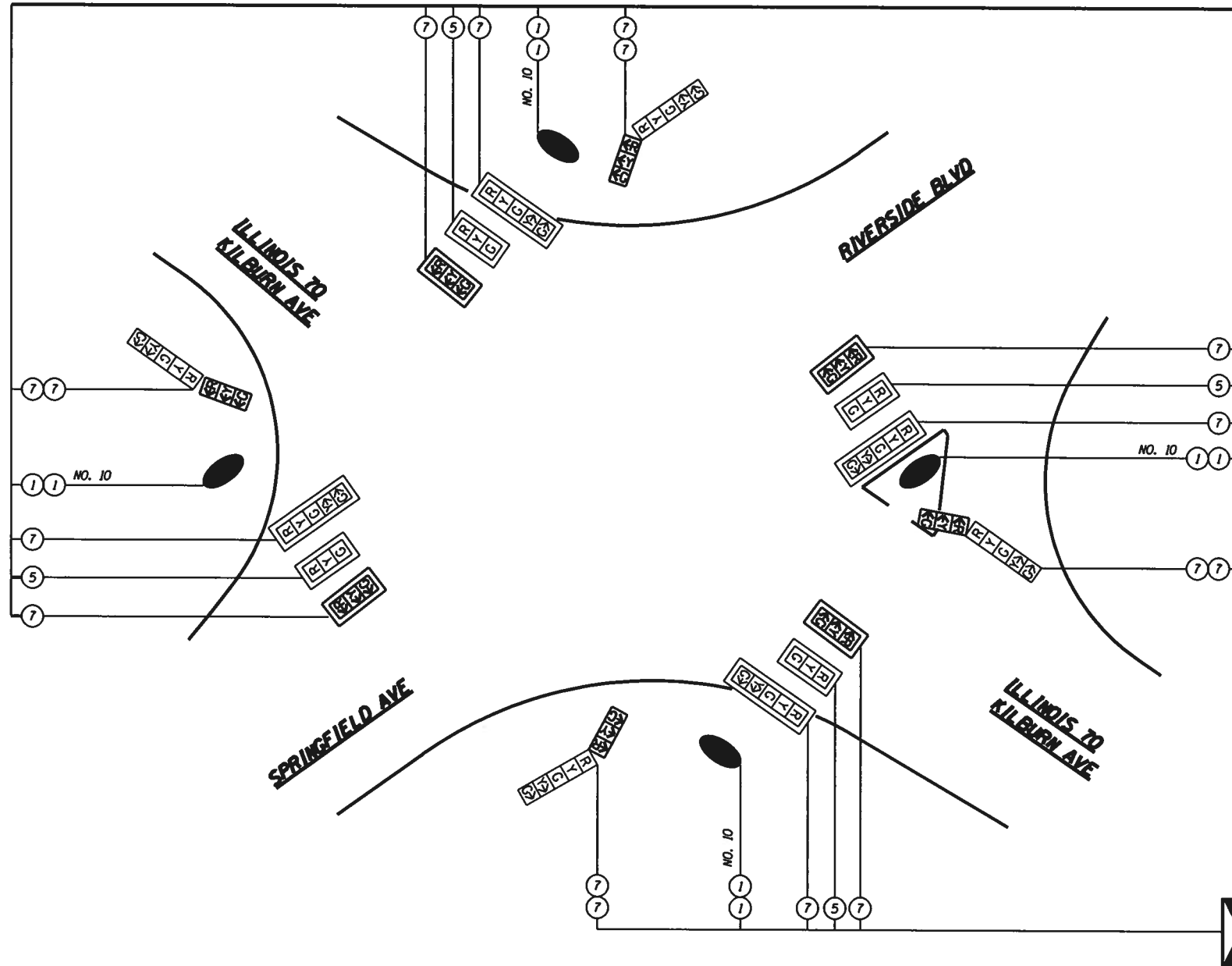
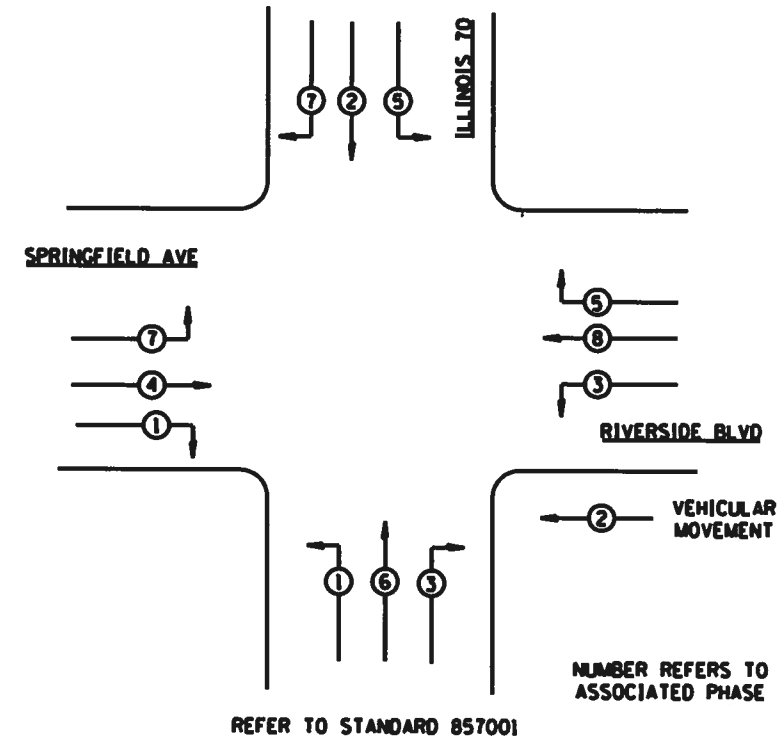
PLAN SHEET

• 5106 (IL 70)

CABLE PLAN



PHASE DESIGNATION DIAGRAM



LEGEND

- (2) INDICATES NUMBER OF EXISTING CONDUCTORS. ALL CABLE IS NO. 14 EXCEPT AS INDICATED. "P" INDICATES PAIR CABLE
- RYG EXISTING SIGNAL HEAD WITH OR WITHOUT BACKPLATE
- RYG NEW SIGNAL HEAD WITH OR WITHOUT BACKPLATE
- LUMINAIRE, LED ROADWAY, OUTPUT DESIGNATION G

MODEL: Default
FILE: NAME: P:\Projects\Contract 64P03_IL_70 at Springfield\64P03_IL_70.dwg

USER NAME = hllkl	DESIGNED -	REVISED -
PLOT SCALE = 41.521' / in.	DRAWN -	REVISED -
PLOT DATE = Mar-16-2020 09:11:05 AM	CHECKED -	REVISED -
	DATE -	REVISED -

STATE OF ILLINOIS
DEPARTMENT OF TRANSPORTATION

IL 70 AT SPRINGFIELD AVE	
SIGNAL MODIFICATION	
SCALE: _____	SHEET _____ OF _____ SHEETS STA. _____ TO STA. _____

F.A.U. RTE. _____	SECTION 1031S-1	COUNTY WINNEBAGO	TOTAL SHEETS 4	SHEET NO. 4
ILLINOIS FED. AID PROJECT			CONTRACT NO. 64P03	