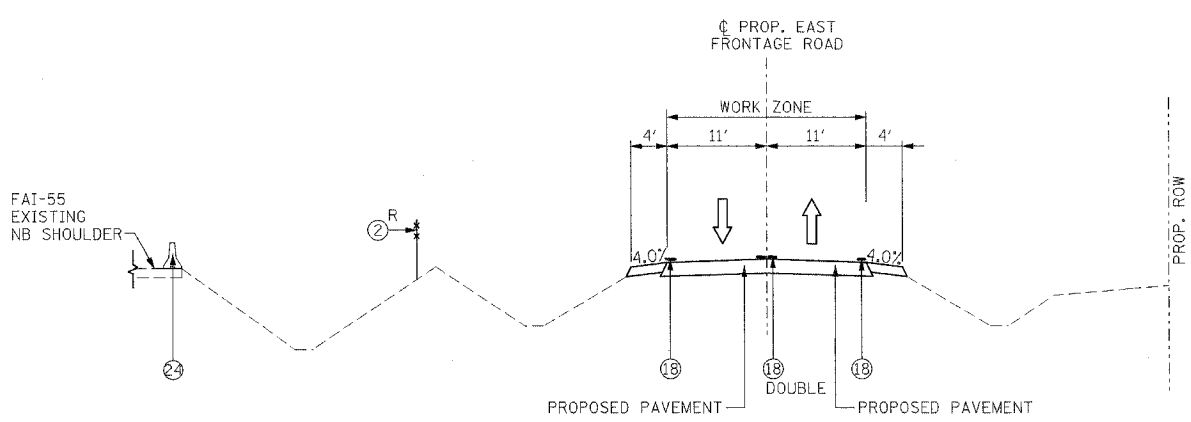
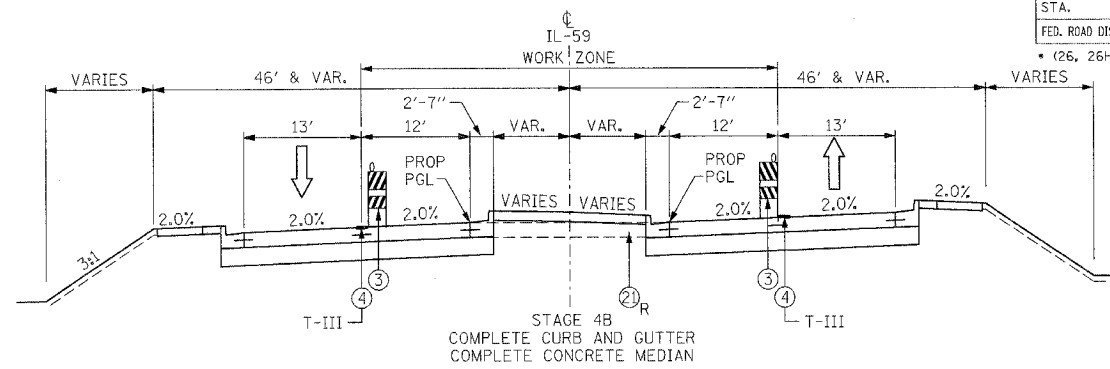


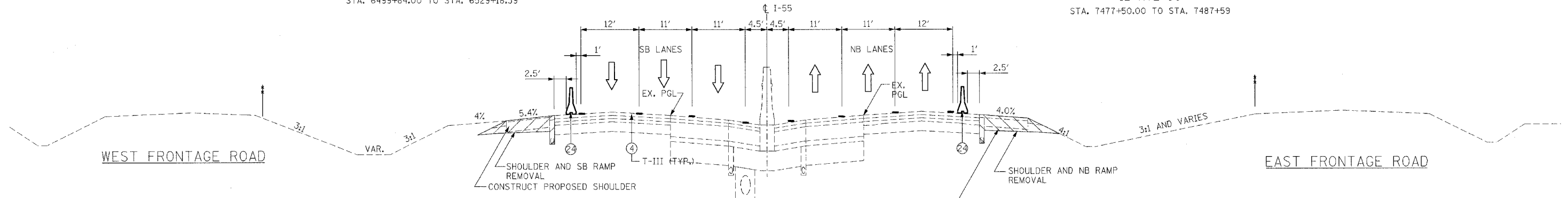
F.A.I. RTE.	SECTION	COUNTY	TOTAL SHEETS	SHEET NO.
55	*	WILL	608	98
STA.		TO STA.		
FED. ROAD DIST. NO. 1		ILLINOIS FED. AID PROJECT		
		* (26, 26HB-1&114) R-2 CONTRACT NO. 60363		



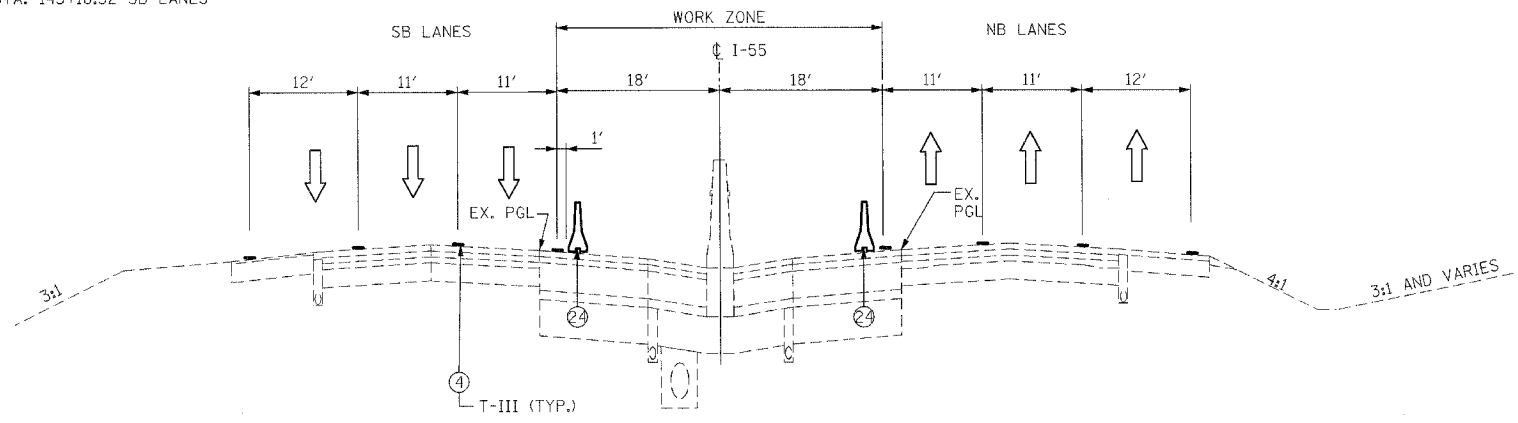
**STAGE 4A**  
TYPICAL SECTION Q-Q  
FAI - 55 PROPOSED EAST FRONTAGE ROAD  
STA. 6499+84.00 TO STA. 6529+18.39



**STAGE 4B**  
TYPICAL SECTION B-B  
IL RTE 59  
STA. 7477+50.00 TO STA. 7487+59



**STAGE 4A**  
TYPICAL SECTION F-F  
I-55 MAINLINE  
STA. 107+83.65 TO STA. 143+00 NB LANES  
STA. 107+99 TO STA. 145+18.52 SB LANES



**STAGE 4B**  
TYPICAL SECTION G-G  
I-55 MAINLINE  
STA. 130+50 TO STA. 145+50 NB LANES  
STA. 134+50 TO STA. 149+50 SB LANES

**LEGEND:**

- |   |   |
|---|---|
| ① EXIST. WOVEN WIRE FENCE                                     | ⑮ PROP. GRANULAR EMBANKMENT               |
| ② CHAIN LINK FENCE, 4'  | ⑯ AGGREGATE SUBGRADE 12"                  |
| ③ BARRICADES, TYPE II OR DRUMS WITH STEADY BURN LIGHT         | ⑰ N/A                                     |
| ④ TEMPORARY PAVEMENT MARKINGS (OR TYPE III TAPE IF INDICATED) | ⑱ PROPOSED PAVEMENT MARKINGS              |
| ⑤ VERTICAL PANELS WITH STEADY BURN LIGHT                      | ⑲ PAVED SHOULDER REMOVAL                  |
| ⑥ TEMPORARY PAVEMENT, 10"                                     | ⑳ EXISTING PAVEMENT                       |
| ⑥A TEMPORARY PAVEMENT, 4"                                     | ㉑ TEMPORARY PAVEMENT (PREVIOUS STAGE)     |
| ⑦ N/A   | ㉒ TEMPORARY SHOULDER (PREVIOUS STAGE)     |
| ⑧ AGGREGATE SHOULDERS, TYPE B 6"                              | ㉓ AGGREGATE BASE COURSE, TYPE B, 10"      |
| ⑨ TEMPORARY SEEDING   | ㉔ TEMPORARY CONCRETE BARRIER WALL         |
| ⑩ TEMPORARY PIPE CULVERT                                      | ㉕ TOPSOIL EXCAVATION                      |
| ⑪ BITUMINOUS SURFACE REMOVAL                                  |   |
| ⑫ PROP. HOT-MIX ASPHALT SURFACE COURSE, MIX "D", N70 1 1/2"   | ➔ TRAFFIC FLOW                            |
| ⑬ PROP. STEEL PLATE BEAM GUARDRAIL                            | (E) DENOTES EXISTING ALIGNMENT STATIONING |
| ⑭ N/A   | (P) DENOTES PROPOSED ALIGNMENT STATIONING |

MOT11 REVISIONS	
NAME	DATE

ILLINOIS DEPARTMENT OF TRANSPORTATION  
FAI 55 AT FAP 338 ILLINOIS ROUTE 59  
SECTION: (26, 26HB-1&114) R-2

**MAINTENANCE OF TRAFFIC  
TYPICAL SECTIONS  
STAGE 4A AND 4B**

SCALE: N.T.S. DRAWN BY: JB  
DATE: 03/14/08 CHECKED BY: ACL

**TENG**  
TENG & ASSOCIATES, INC.  
2700 BIRCHWOOD DRIVE, CHICAGO, IL 60641  
TEL: 312.999.8888 FAX: 312.999.8889

\TTCORR\JNDG\...MOT0056.DGN, \MOT0056P.DGN, \TSCORR\JNDG\...MOT0056.DGN, \MOT0056P.DGN  
 4-03-2008, 14:25  
 T:\DOCUMENT\183790\CIVIL\MOT0056P.DGN  
 1 2 3 4 5 6 7 8 9 10 11 12 13 14 15 16 17 18 19 20 21 22 23 24 25 26 27 28 29 30 31 32 33 34 35 36 37 38 39 40 41 42 43 44 45 46 47 48 49 50 51 52 53 54 55 56 57 58 59 60 61 62 63  
 LEEAC