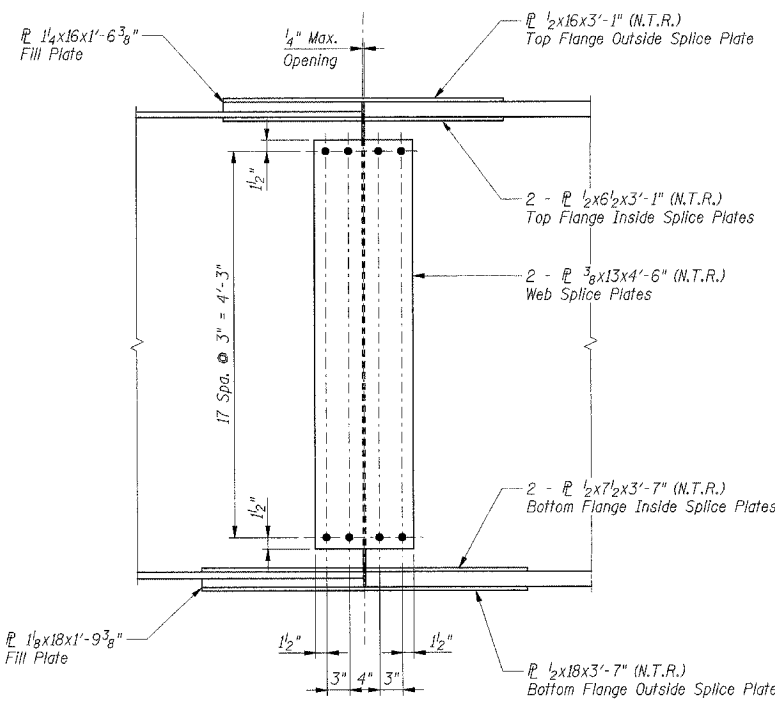
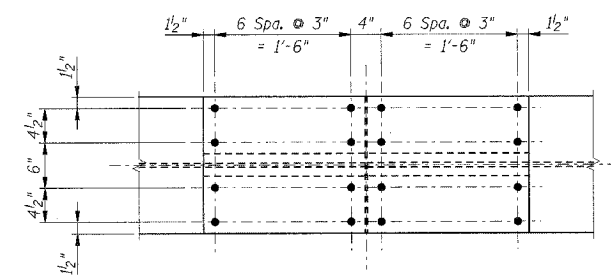


TOP FLANGE

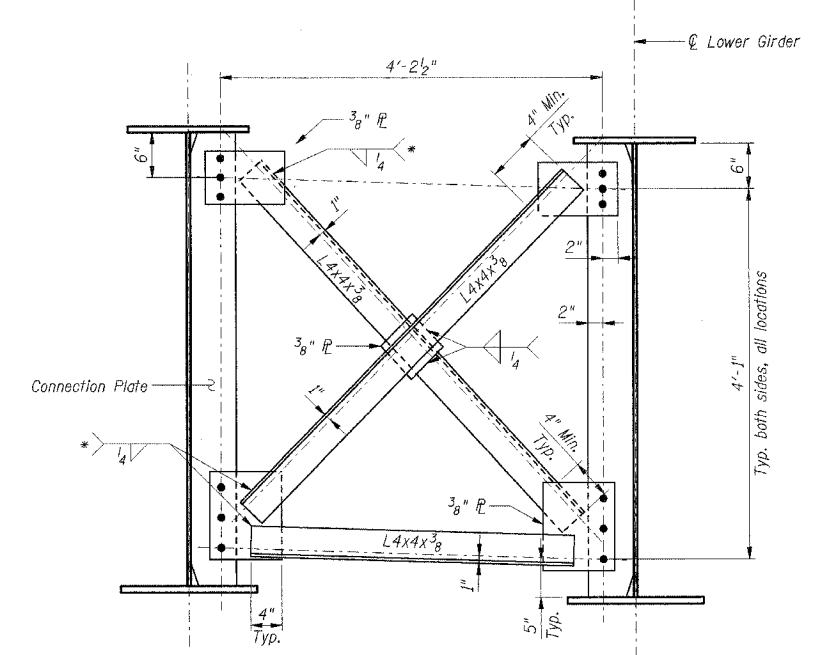


ELEVATION



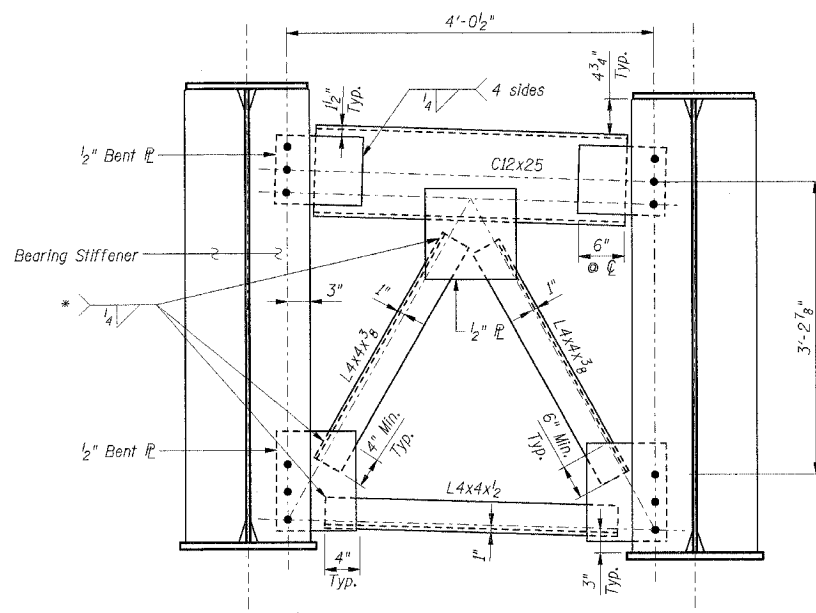
BOTTOM FLANGE

FIELD SPLICE



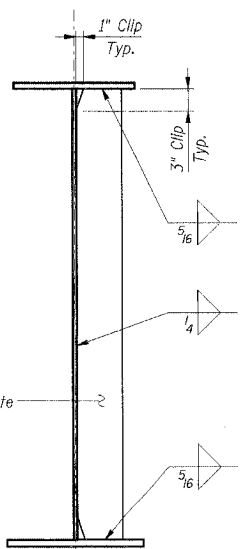
INTERMEDIATE CROSS FRAME CF1

(65 Required)

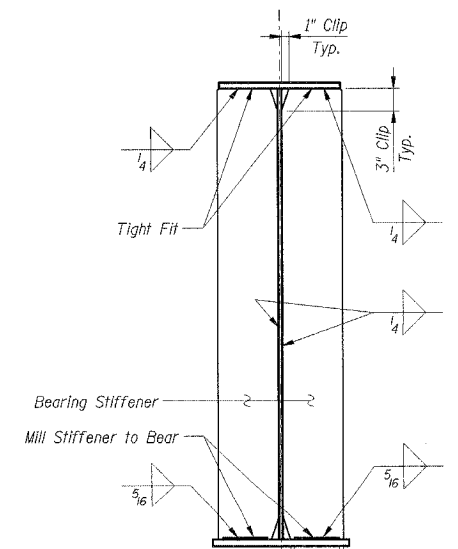


END CROSS FRAME CF2

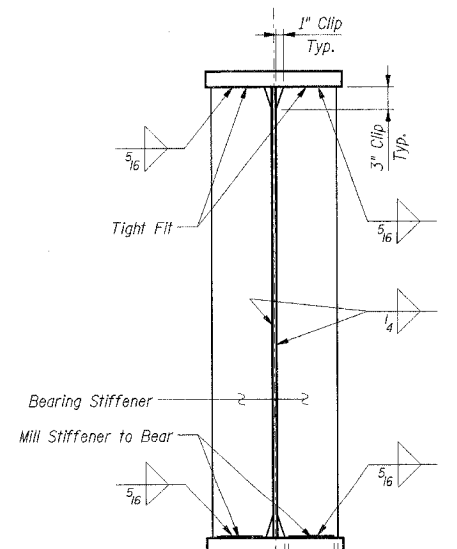
(10 Required)



INTERMEDIATE CROSS FRAME CONNECTION PLATE



BEARING STIFFENER AT ABUTMENTS



BEARING STIFFENER AT PIER

- Notes:**
1. See Note 1 on Sht. S-11.
 2. See Note 2 on Sht. S-11.
 3. Fasteners for field splices shall be 7/8" ϕ AASHTO M 164 high-strength bolts in 5/16" ϕ holes.
 4. Fasteners for cross frames shall be 3/4" ϕ AASHTO M 164 high-strength bolts in 5/16" ϕ holes.
 5. Two hardened washers shall be required over all oversized holes.
 6. Place diaphragm with channel flanges and outstanding angle legs outward from abutment backwall.

SHT. S-13 OF S-24

REVISIONS	
NAME	DATE

ILLINOIS DEPARTMENT OF TRANSPORTATION
 F.A.P. ROUTE 338 (ILLINOIS ROUTE 59)
 IL ROUTE 59 OVER F.A.I. 55 (I-55)
 SECTION (26, 26HB-1 & 114) R-2
 STRUCTURE NUMBER 099-4642
 STATION 8021+17.13, WILL COUNTY
 STRUCTURAL STEEL DETAILS

DRAWN BY: CCE
 CHECKED BY: MOB

DATE: 03/14/08

TENG

TENG & ASSOCIATES, INC.
 ENGINEERS/ARCHITECTS/PLANNERS
 300 N. MICHIGAN AVE. CHICAGO, IL 60610
 TEL: 312.329.4000

\N:\PROJ\61606N\1\T800R\LDGN\AGRODS\JLDGN BONHUBJ
 3-13-2008, 12:20:41 T:\DOCUMENT\1837790\STRUCT\G09\STL D05\JLDGN
 color Table: K:\STANDARD\TENG\DATA\LOC\ORTABLE.TBL
 color Table: N/A