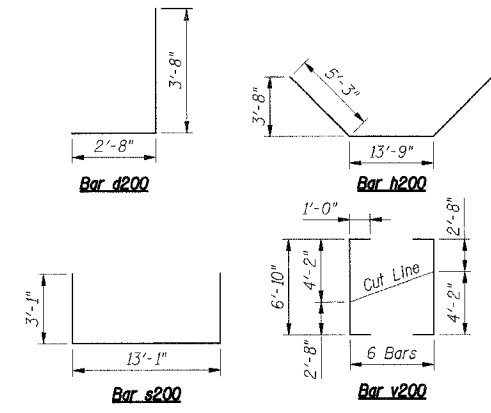
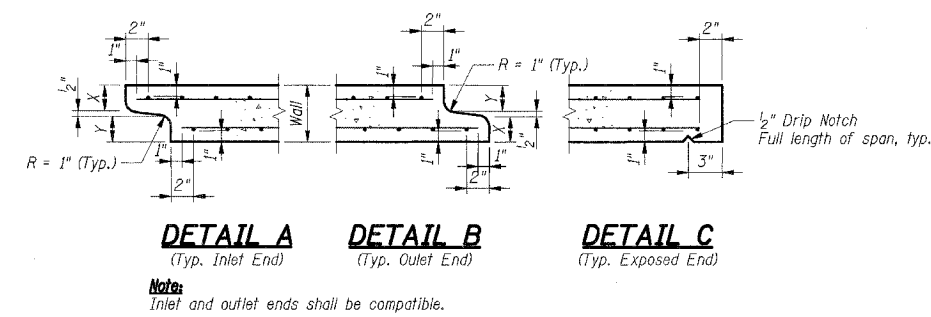
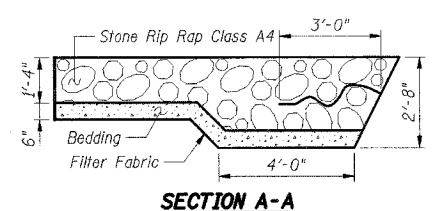


STANDARD BOX CULVERT SECTION

BAR LIST

Bar	No.	Size	Length	Shape
b200	4	#4	15'-3"	—
b201	2	#4	17'-4"	—
b202	2	#4	19'-5"	—
b203	6	#4	21'-1"	—
d200	30	#4	6'-4"	□
h200	2	#4	24'-3"	∩
h201	16	#4	5'-6"	—
s200	8	#4	19'-3"	□
v200	12	#4	8'-10"	□
Item		Unit		Total
Reinforcement Bars***		lbs		570
Concrete Structures****		Cu Yd		10.1

*** For information only, cost included with Box Culvert End Section, Culvert No. 5.

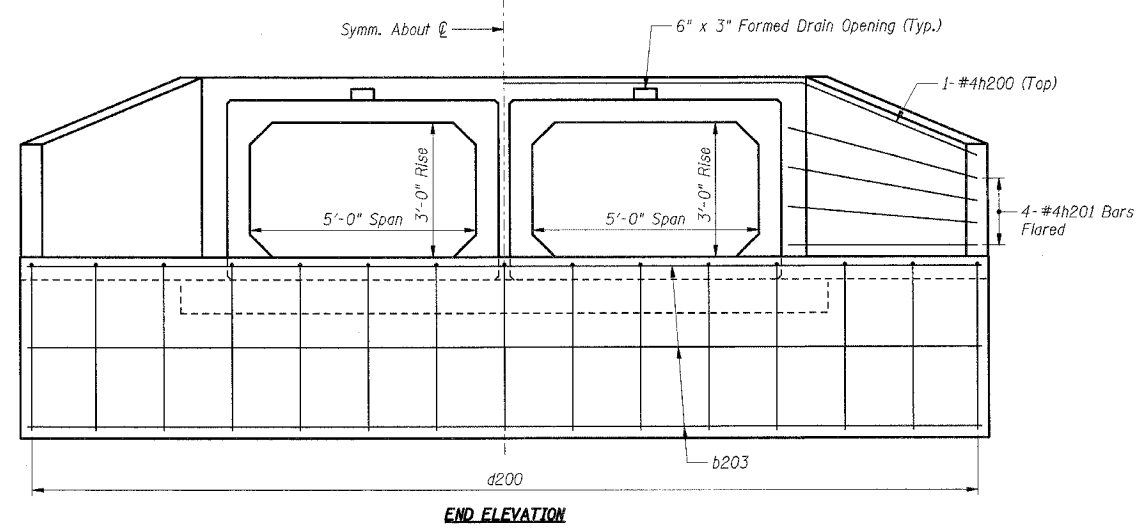
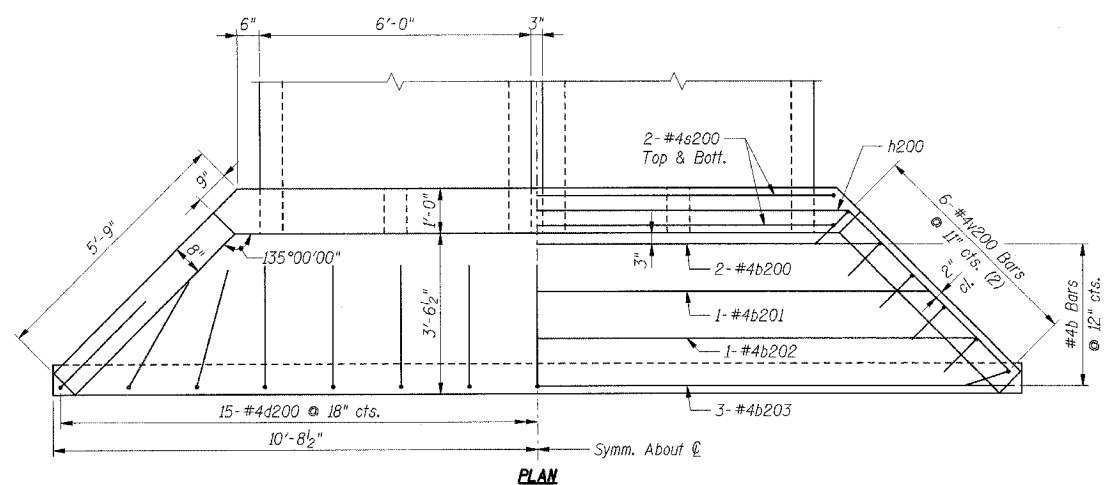


Reinforcement Notes:

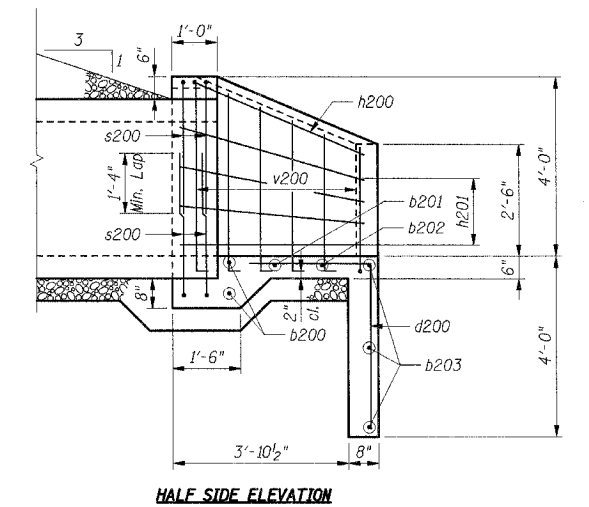
- (1) Bend bars in the field to fit as required.
- (2) Cut bars according to Cutting Diagram and use remainder in opposite end.

Notes:

- 1. B.F. indicates Back Face
- F.F. indicates Front Face
- E.F. indicates Each Face



APRON END SECTION



SHT. BCF-2 OF BCF-3

REVISIONS

NAME	DATE

ILLINOIS DEPARTMENT OF TRANSPORTATION
F.A.P. ROUTE 338 (ILLINOIS ROUTE 59)
IL 59 DOUBLE BOX CULVERT
SECTION (26, 26HB-1 & 114) R-2
STRUCTURE NUMBER 099-0351
STATION 7003+50.00 (SB IL 59), WILL COUNTY
BOX CULVERT END SECTIONS

DATE: 03/14/08
DRAWN BY: MDB
CHECKED BY:
TENG

VTTCORPHUDGN...BXC002TL.DGN...BXC002TL.DGN...BXC002TL.DGN...BXC002TL.DGN...BXC002TL.DGN...BXC002TL.DGN...
3-13-2008, 12:09:31
color: tabler, KA: STANDARD TENG: QTY DATA: COLOR: TABLER: TBL