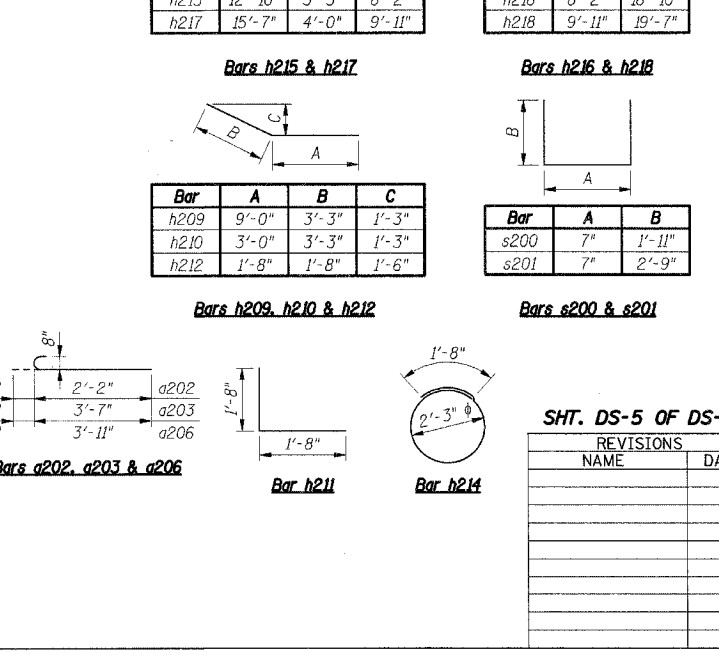
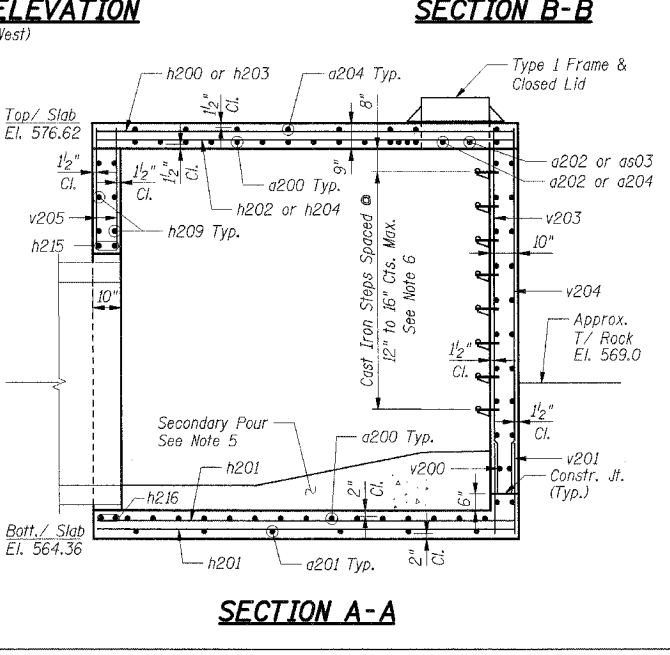
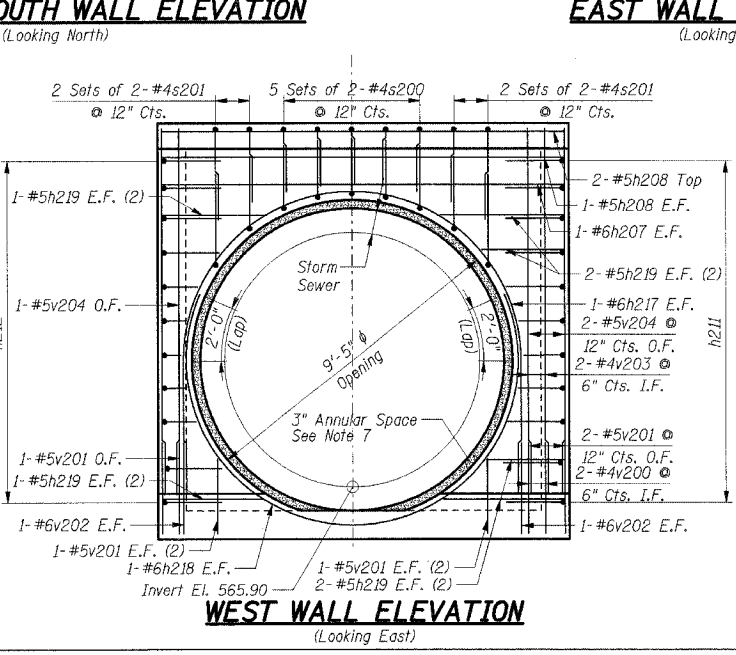
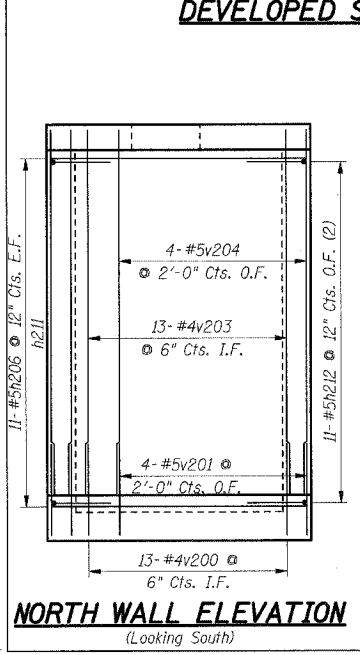
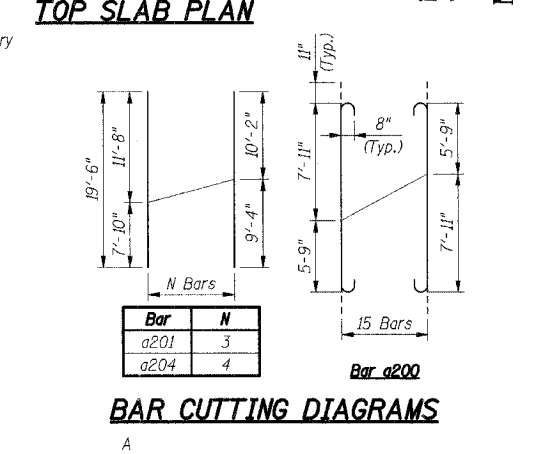
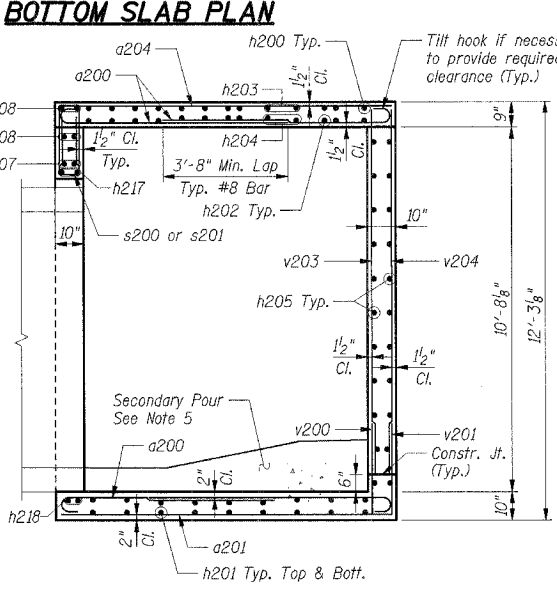
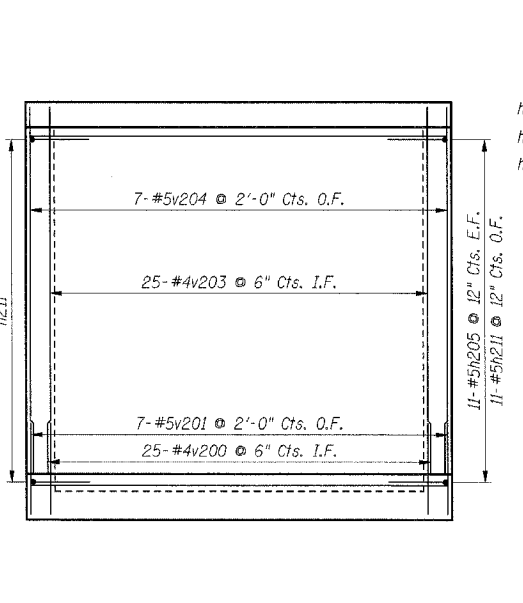
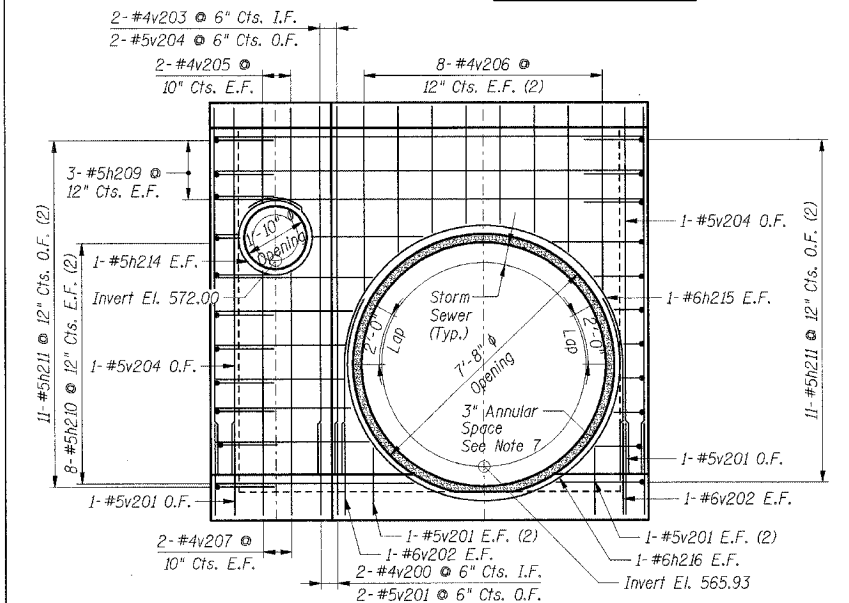
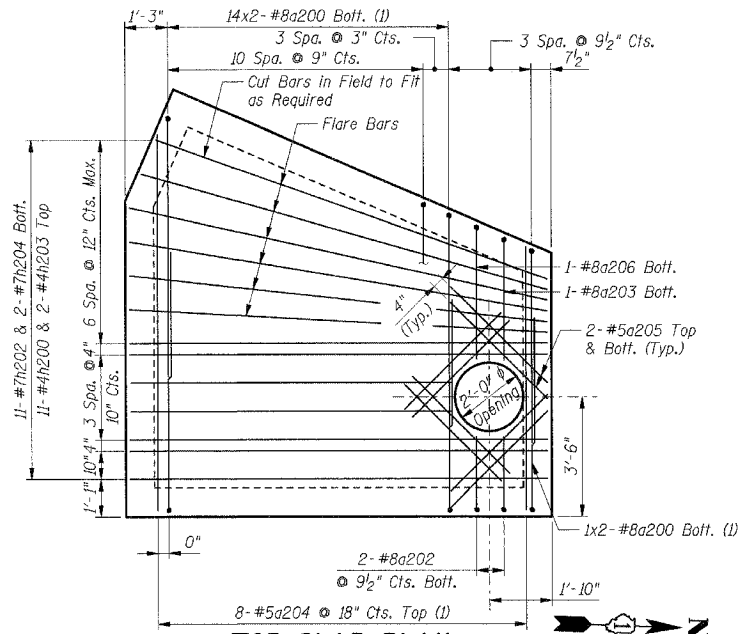
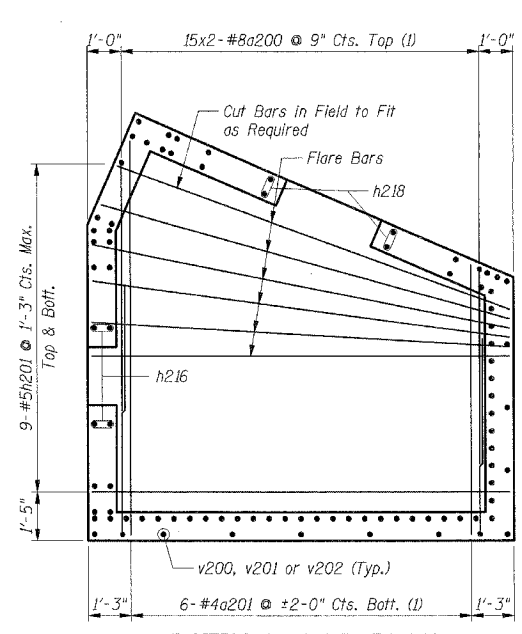
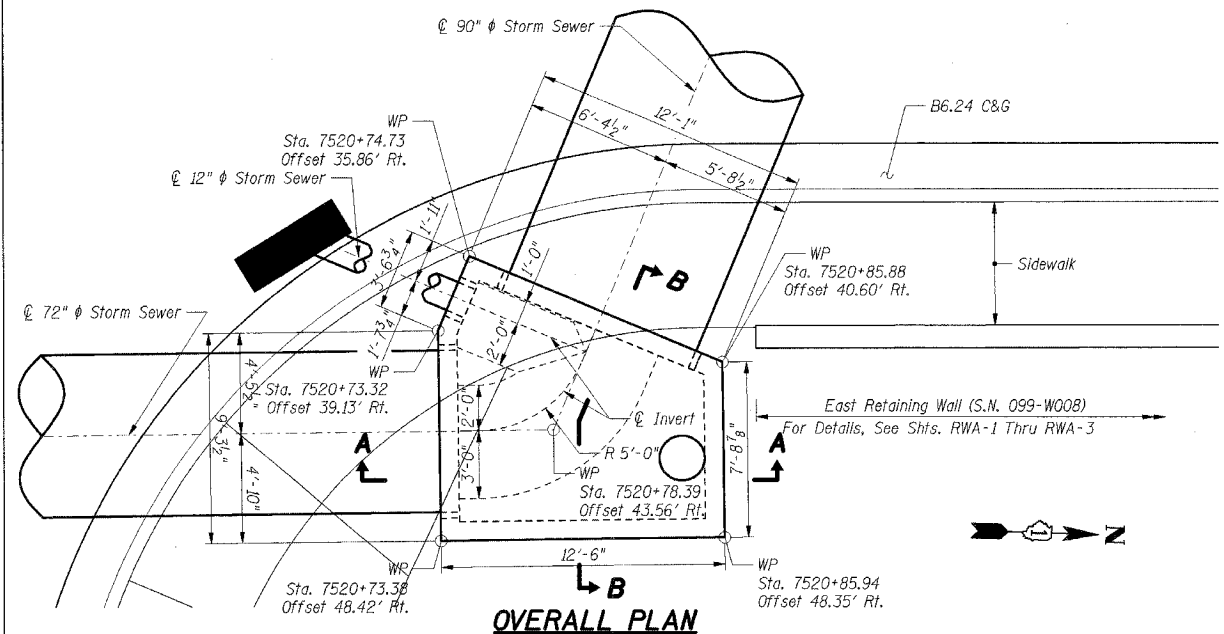


BAR LIST

Bar	No.	Size	Length	Shape
a200	30	#8	15'-6"	U
a201	3	#4	19'-6"	U
a202	2	#8	3'-1"	U
a203	1	#8	4'-6"	U
a204	4	#5	19'-6"	U
a205	16	#5	4'-0"	U
a206	1	#8	4'-10"	U
h200	11	#4	12'-2"	U
h201	18	#5	12'-2"	U
h202	11	#7	12'-2"	U
h203	2	#4	9'-4"	U
h204	2	#7	9'-4"	U
h205	22	#5	12'-3"	U
h206	22	#5	7'-5"	U
h207	2	#6	11'-10"	U
h208	4	#5	11'-10"	U
h209	6	#5	12'-3"	U
h210	16	#5	6'-3"	U
h211	33	#5	3'-4"	U
h212	11	#5	3'-4"	U
h214	2	#5	8'-9"	U
h215	2	#6	19'-4"	U
h216	2	#6	16'-10"	U
h217	2	#6	23'-7"	U
h218	2	#6	19'-7"	U
h219	12	#5	4'-0"	U
s200	10	#4	4'-5"	U
s201	8	#4	6'-1"	U
v200	42	#4	2'-6"	U
v201	26	#5	2'-10"	U
v202	8	#6	3'-2"	U
v203	42	#4	10'-9"	U
v204	18	#5	10'-9"	U
v205	4	#4	2'-9"	U
v206	16	#4	5'-6"	U
v207	4	#4	7'-2"	U



Reinforcing Notes:
(1) Cut bars according to bar cutting diagram.
(2) Cut bars to fit in field.

BILL OF MATERIAL

Item	Unit	Total
Structure Excavation	Cu Yd	51
Rock Excavation for Structures	Cu Yd	22.3
Concrete Structures	Cu Yd	17.6
Reinforcement Bars	lbs	4,120
Frames, Type 1	Each	1
Lids, Type 1, Closed Lid	Each	1

Notes:
1. Work this Sht. with Sht. DS-1.
2. Bars indicated thus: 4x2-#5 etc. Indicate 4 lines of bars with 2 lengths per line.
3. All edges shall have standard 3/4" chamfers except as noted.
4. E.F. indicates Each Face.
I.F. indicates Inside Face.
O.F. indicates Outside Face.
5. See Secondary Pour Detail on Sht. DS-7.
6. Cost of Cast Iron Steps Included with Concrete Structures.
7. See Annular Grouting Detail on Sht. DS-7.

ILLINOIS DEPARTMENT OF TRANSPORTATION
FAI 55 AT FAP 338 ILLINOIS ROUTE 59
SECTION: (26, 26HB-1 & 114) R-2

DRAINAGE STRUCTURE 5
PLAN AND DETAILS

DATE: 03/14/08

DRAWN BY: TMH
CHECKED BY: CCE

TENG