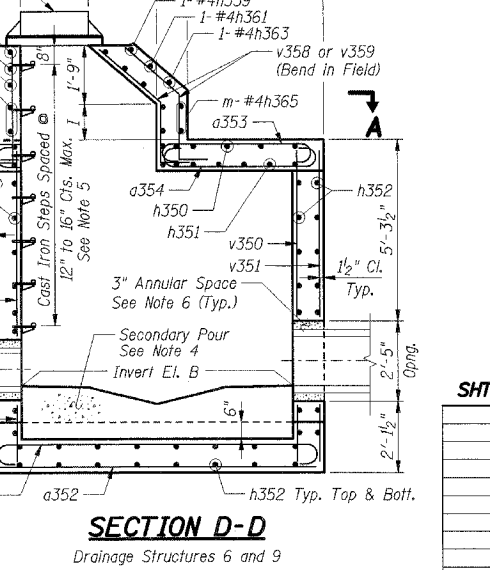
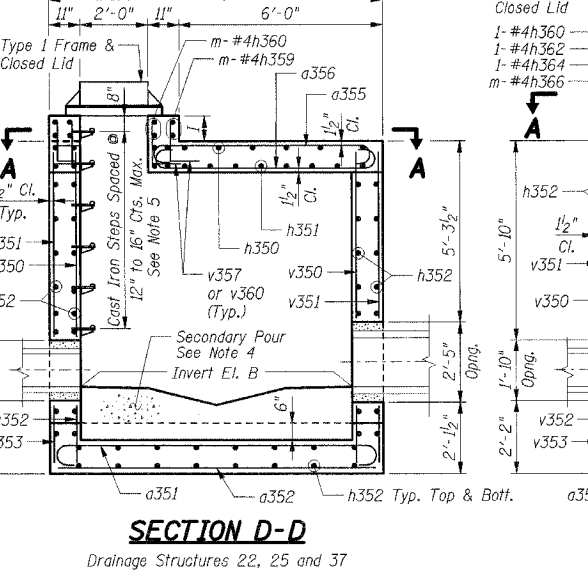
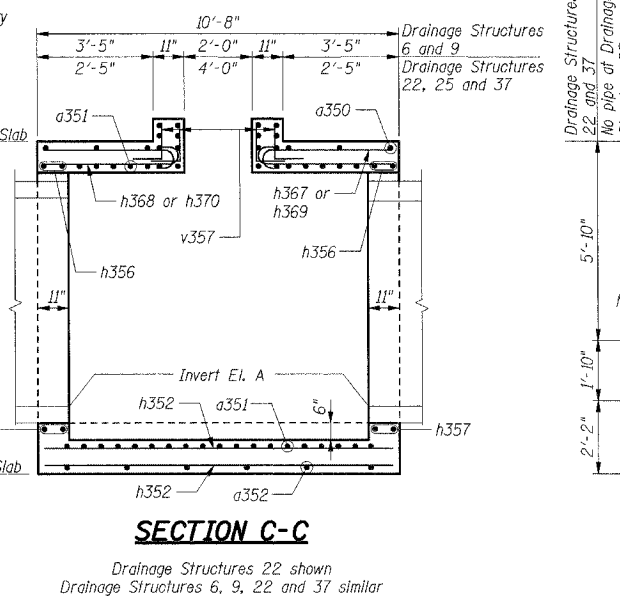
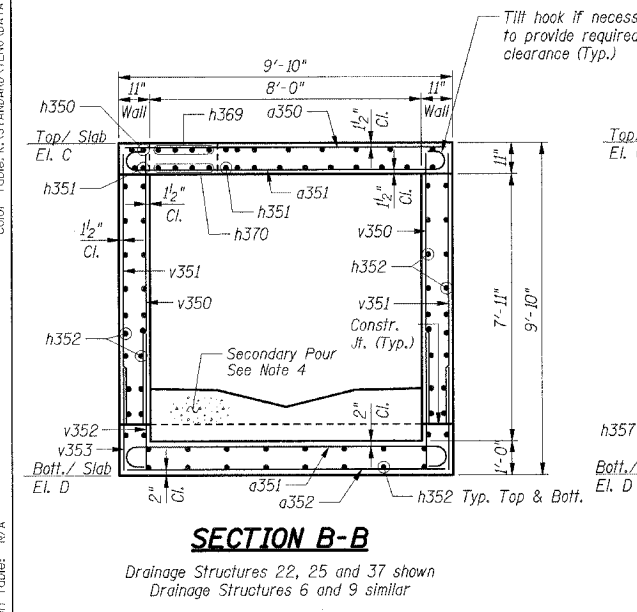


**TABLE 1**

Drainage Structure	Elevation					
	A	B (west)	B (east)	C	D	J
6	565.99	570.49	569.91	573.74	563.91	563.60
9	566.08	570.58	570.00	573.83	564.00	563.60
22	566.18	570.00	570.10	573.93	564.10	565.60
25	566.23	---	566.73	573.98	564.15	565.60
37	566.42	570.00	570.34	574.17	564.34	---

**TABLE 2**

Drainage Structure	WP 1		WP 2		E (deg.)	F (deg.)	West Wall			I (In.)	m
	Station	Offset (ft.)	Station	Offset (ft.)			G	H	H		
6	7519+82.83	35.91 Rt.	7519+93.50	36.08 Rt.	63.31	45.31	6'-4 7/8"	2'-0 1/2"	3'-4 3/4"	11	2
9	7518+47.56	36.06 Rt.	7518+58.27	36.16 Rt.	81.96	43.06	6'-3 5/8"	1'-10 1/4"	3'-6 1/2"	2.5	1
22	7515+77.34	35.22 Rt.	7515+87.96	35.08 Rt.	68.46	39.41	6'-8 3/8"	1'-11 3/4"	3'-9 3/4"	7.5	2
25	7514+58.20	35.09 Rt.	7514+68.88	35.05 Rt.	104.85	32.86	6'-4 7/8"	2'-2 1/2"	4'-5 1/2"	0	1
37	7511+79.75	36.13 Rt.	7511+90.42	36.08 Rt.	80.23	40.29	6'-5 5/8"	1'-10 1/4"	3'-8 3/4"	8	2



- Reinforcing Notes:**  
(1) Cut Bars in field to fit.
- Notes:**  
1. Work this Sheet with Sheets DS-1 and DS-7.  
2. All edges shall have standard 3/4" chamfers except as noted.  
3. E.F. indicates Each Face.  
I.F. indicates Inside Face.  
O.F. indicates Outside Face.  
E.S. indicates Each Side.  
4. See Sheet DS-7 for Secondary Pour Detail.  
5. Cost of Cast Iron Steps included with Concrete Structures.  
6. See Sheet DS-7 for Annular Grouting Detail.

**SHT. DS-6 OF DS-11**

REVISIONS	
NAME	DATE

ILLINOIS DEPARTMENT OF TRANSPORTATION  
FAI 55 AT FAP 338 ILLINOIS ROUTE 59  
SECTION: (26, 26HB-1 & 114) R-2

DRAINAGE STRUCTURES 6, 9, 22, 25 AND 37  
PLAN AND DETAILS

DRAWN BY: PA  
CHECKED BY: BGK

DATE: 03/14/08

**TENG**

\DROO\W.M.GON... \ALTDORRIG.DGN... \DRAOPPO.DGN... \TIBORRHLUDN... \DROO\W.M.GON...  
 BONDHULLO  
 T:\DOCUMENT\93127\STRUCT\DRN\DRN000\FSC.DGN  
 color: tabler: K:\STANDARD\TENG\DATA\COLOR\TABLE.TBL  
 3-15-2008, 12:17:22  
 pan: tabler: N/A