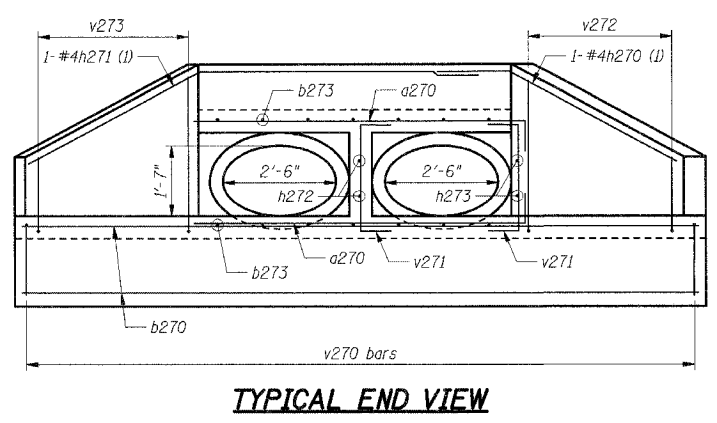
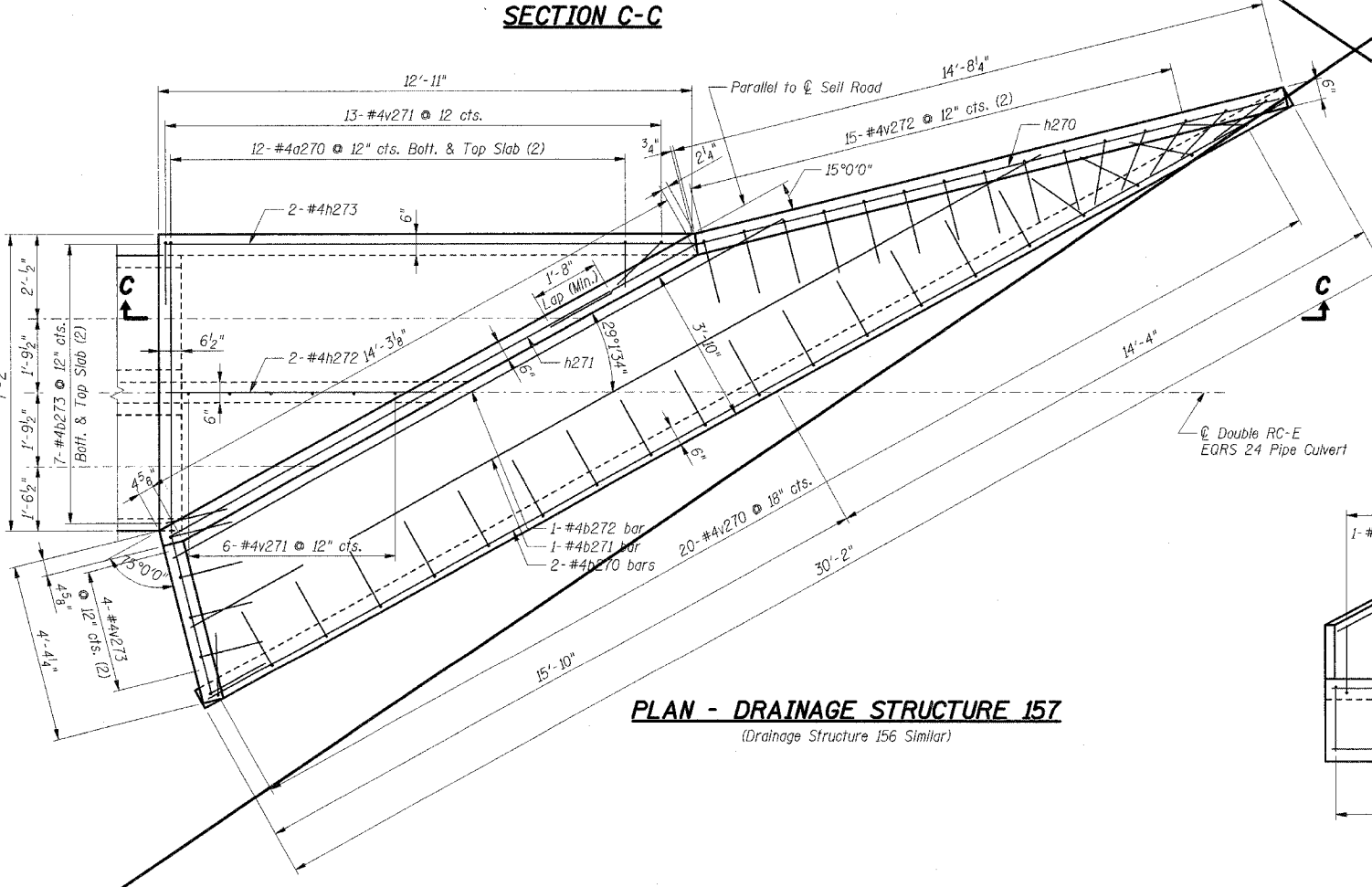


**BAR LIST**

Bar	No.	Size	Length	Shape
a270	24	#4	9'-5"	┌
b270	4	#4	29'-10"	—
b271	2	#4	23'-6"	—
b272	2	#4	16'-10"	—
b273	14	#4	14'-6"	—
h270	2	#4	18'-7"	└
h271	2	#4	16'-2"	└
h272	4	#4	6'-6"	—
h273	4	#4	13'-0"	—
v270	40	#4	3'-8"	└
v271	38	#4	3'-10"	└
v272	15	#4	8'-0"	└
v273	5	#4	8'-0"	└

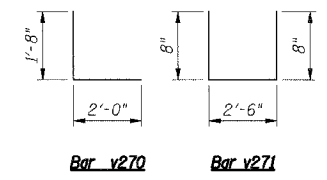
**BILL OF MATERIAL**

Item	Unit	Total
Concrete Structures	Cu Yd	12.6
Reinforcement Bars	lbs	820



**Bars h270 & h271**

Bar	A	B	C
h270	4'-0"	14'-7"	1'-2"
h271	4'-0"	12'-6"	3'-10"



**Reinforcing Notes:**  
 (1) Bend bars to fit in field.  
 (2) Cut bars according to bar cutting diagram.

**Notes:**  
 1. Work this Sheet with Sht. DS-2.  
 2. Bars indicated thus: 4x2-#5 etc. indicate 4 lines of bars with 2 lengths per line.  
 3. All edges shall have standard 3/4" chamfers except as noted.

**SHT. DS-9 OF DS-11**

REVISIONS	
NAME	DATE

ILLINOIS DEPARTMENT OF TRANSPORTATION  
 FAI 55 AT FAP 338 ILLINOIS ROUTE 59  
 SECTION: (26, 26HB-1 & 114) R-2

**DRAINAGE STRUCTURES 156 & 157  
 PLAN AND DETAILS**

DATE: 03/14/08      DRAWN BY: MX      CHECKED BY: TMH

**TENG**

TENG & ASSOCIATES, INC.  
 ENGINEERS ARCHITECTS  
 205 N. MERRILL AVENUE, CHICAGO, IL 60610  
 TEL: 312.566.8000

ATTORNEYS: ...  
 3-15-2008 (2:17:23)  
 FILE: K:\STANDARD\TENS\04\1A\COLOR\TABLET.BTL  
 color: Tablet; K:\STANDARD\TENS\04\1A\COLOR\TABLET.BTL  
 DONHJLJL  
 STRUCTURE\DR000007.DGN  
 3-15-2008 (2:17:23)  
 FILE: K:\STANDARD\TENS\04\1A\COLOR\TABLET.BTL  
 color: Tablet; K:\STANDARD\TENS\04\1A\COLOR\TABLET.BTL  
 DONHJLJL  
 STRUCTURE\DR000007.DGN  
 3-15-2008 (2:17:23)