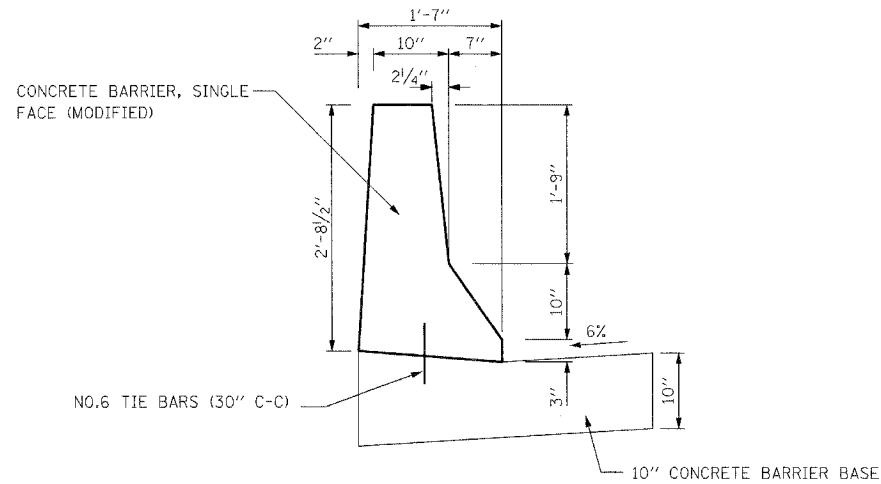
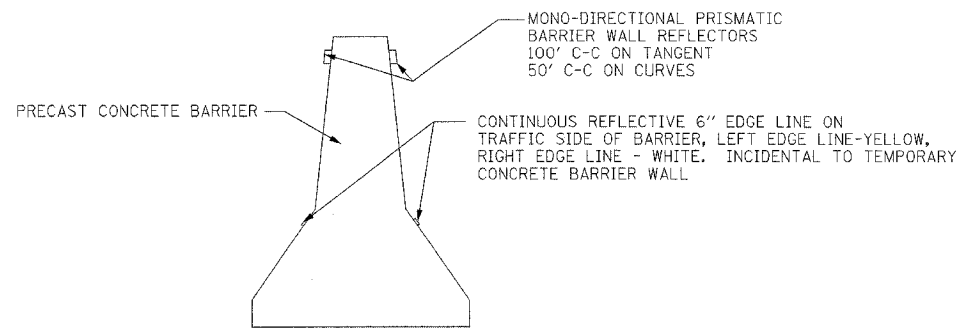


F.A.I. RTE.	SECTION	COUNTY	TOTAL SHEETS	SHEET NO.
55	*	WILL	608	420
STA.		TO STA.		
FED. ROAD DIST. NO. 1		ILLINOIS FED. AID PROJECT		
* (26, 26HB-1&114) R-2		CONTRACT NO. 60363		



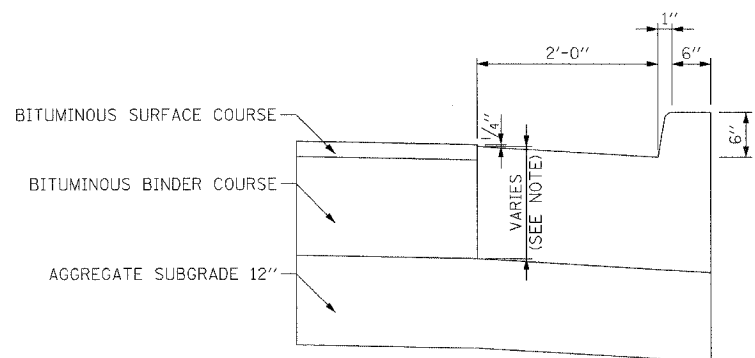
CONCRETE BARRIER, SINGLE FACE (MODIFIED) AND CONCRETE BARRIER BASE



SECTION TEMPORARY CONCRETE BARRIER

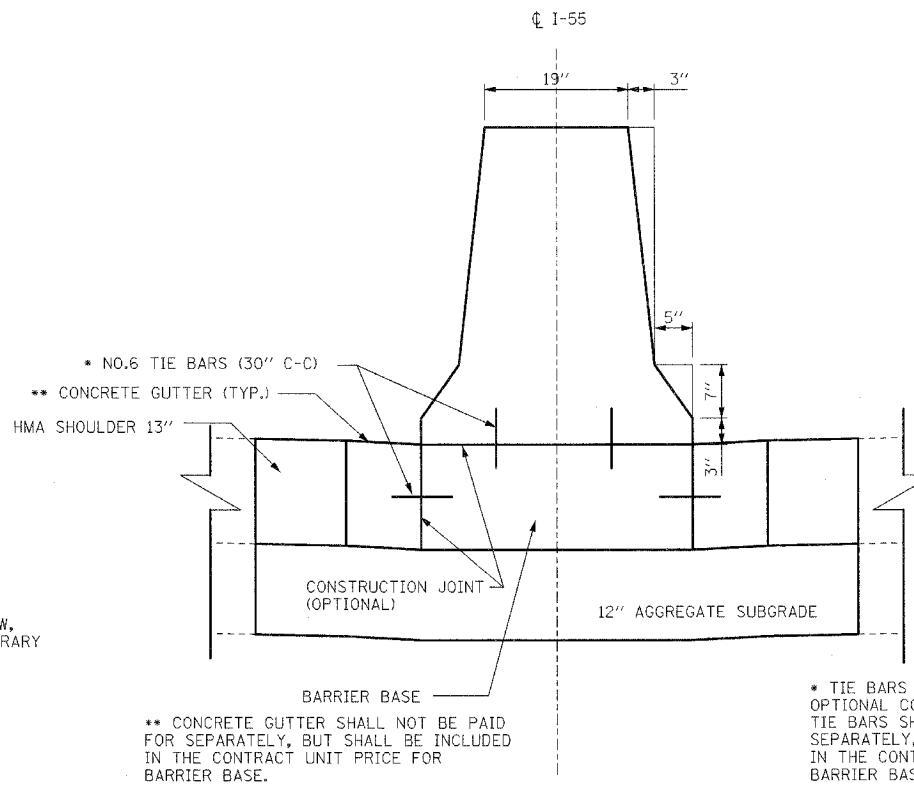
THE YELLOW OR WHITE REFLECTIVE PAINT WILL NOT BE PAID FOR SEPARATELY BUT SHALL BE INCLUDED IN THE COST OF TEMPORARY CONCRETE BARRIER (STATE OWNED).

THE YELLOW OR WHITE REFLECTIVE PAINT WILL BE REPAINTED AS REQUIRED AND SHALL BE INCLUDED IN THE COST OF TEMPORARY CONCRETE BARRIER.



CONCRETE CURB AND GUTTER B6.24 SPECIAL

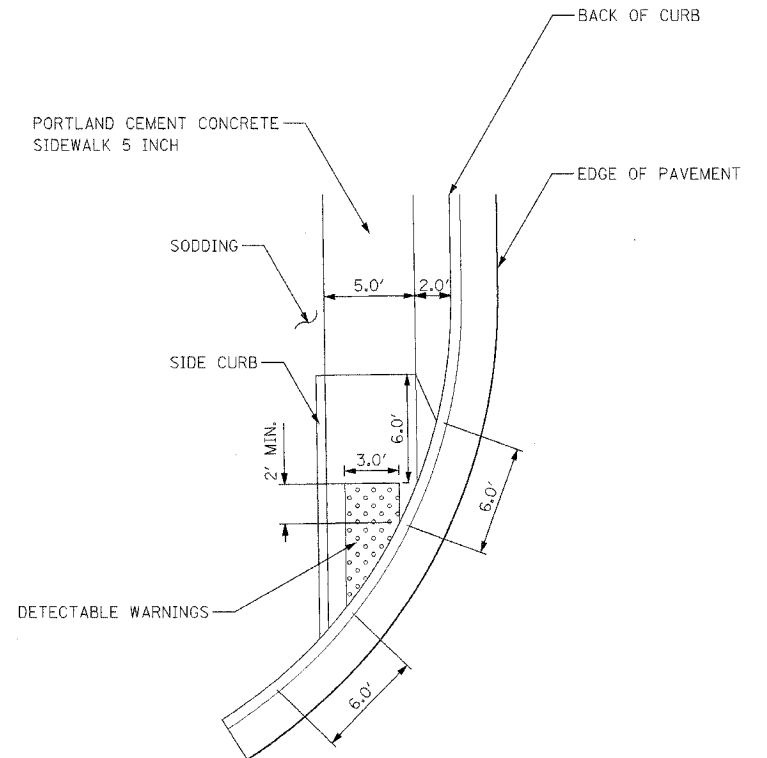
NOTE:
MINIMUM CURB THICKNESS SHALL BE DETERMINED BY THE DEPTH OF THE FULL DEPTH BITUMINOUS PAVEMENT.



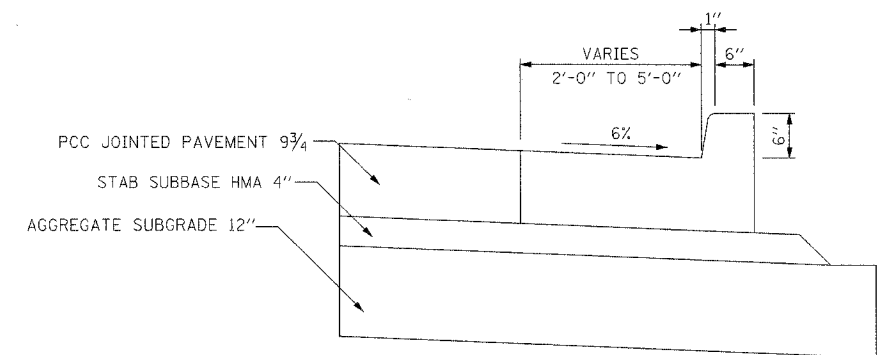
CONCRETE BARRIER, DOUBLE FACE, 42 INCH HEIGHT AND CONCRETE BARRIER BASE

* TIE BARS ARE ONLY REQUIRED WITH OPTIONAL CONSTRUCTION JOINT. TIE BARS SHALL NOT BE PAID FOR SEPARATELY, BUT SHALL BE INCLUDED IN THE CONTRACT UNIT PRICE FOR BARRIER BASE.

** CONCRETE GUTTER SHALL NOT BE PAID FOR SEPARATELY, BUT SHALL BE INCLUDED IN THE CONTRACT UNIT PRICE FOR BARRIER BASE.

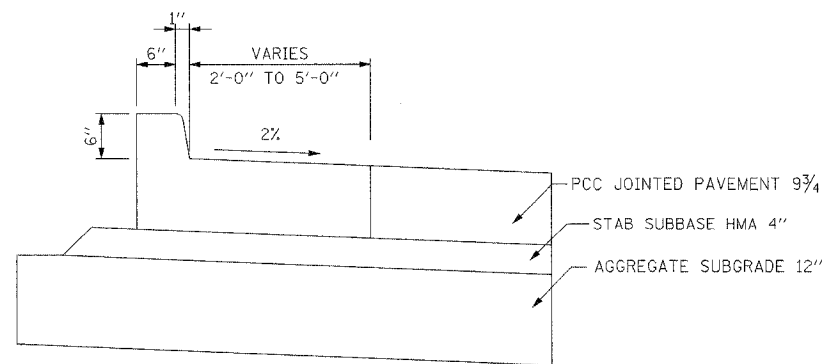


CURB RAMP FOR SIDEWALK DETAIL



CONCRETE CURB AND GUTTER B6.24 SPECIAL

STA. 8033+35.77 TO 8033+85.77



CONCRETE CURB AND GUTTER B6.24 SPECIAL

STA. 8031+60.77 TO 8031+85.79

REVISIONS	
NAME	DATE

ILLINOIS DEPARTMENT OF TRANSPORTATION
FAI 55 AT FAP 338 ILLINOIS ROUTE 59
SECTION: (26, 26HB-1&114) R-2
ROADWAY DETAILS

SCALE: DRAWN BY: JB
DATE: 03/14/08 CHECKED BY: ACL

TENG
TENG & ASSOCIATES, INC.
ENGINEERS ARCHITECTS PLANNERS
302 N. MICHIGAN AVE. CHICAGO, IL 60610
TELEPHONE 312.968.8000

\\TBOURK\LDN...AFS000\LDN...RDWOOD\LDN...DET00TUY.DGN
 3-14-2008 10:53:50
 T:\DOCUMENTS\B32750\CIVIL\LDN\DET00TUY.DGN
 1 2 3 4 5 6 7 8 9 10 11 12 13 14 15 16 17 18 19 20 21 22 23 24 25 26 27 28 29 30 31 32 33 34 35 36 37 38 39 40 41 42 43 44 45 46 47 48 49 50 51 52 53 54 55 56 57 58 59 60 61 62 63