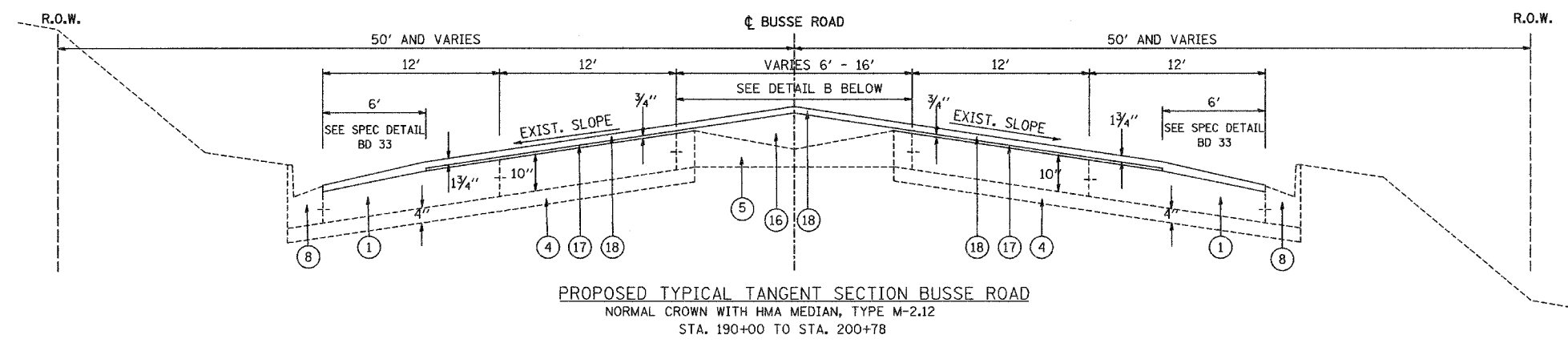


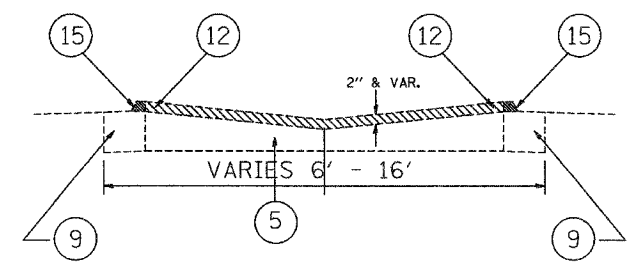
REMOVAL

LEGEND:

- ① EXISTING P.C.C. PAVEMENT, 10"
- ② EXISTING LONGITUDINAL CONSTRUCTION JOINT (WITH TIE BARS)
- ③ EXISTING CONCRETE MEDIAN SURFACE 4"
- ④ EXISTING STABILIZED SUB-BASE, 4"
- ⑤ EXISTING STABILIZED MEDIAN SURFACE, 12"
- ⑥ EXISTING HMA MEDIAN
- ⑦ DELETED
- ⑧ EXISTING COMBINATION CONCRETE CURB AND GUTTER, TYPE B-6.24
- ⑨ EXISTING COMBINATION CONCRETE CURB AND GUTTER, TYPE M-2.12
- ⑩ EXISTING COMBINATION CONCRETE CURB AND GUTTER, TYPE B-9.12
- ⑪ EXISTING HMA MEDIAN SURFACE, 4"
- ⑫ PROPOSED HMA MEDIAN SURFACE REMOVAL
- ⑬ PROPOSED MEDIAN REMOVAL - PARTIAL DEPTH
- ⑭ PROPOSED P.C.C. PAVEMENT SURFACE REMOVAL, VARIABLE DEPTH (0" TO 1 1/2" AT OUTSIDE E.O.P.) SEE SPECIAL DETAIL, BD-33
- ⑮ PROPOSED CURB CUT
- ⑯ LEVELING BINDER (MACHINE METHOD), N70, VARIOUS 3/4" TO 1 1/2"
- ⑰ POLYMERIZED LEVELING BINDER (MACHINE METHOD), IL-4.75, N50 (3/4")
- ⑱ POLYMERIZED HMA SURFACE COURSE, MIX "F", N90 (1 3/4")

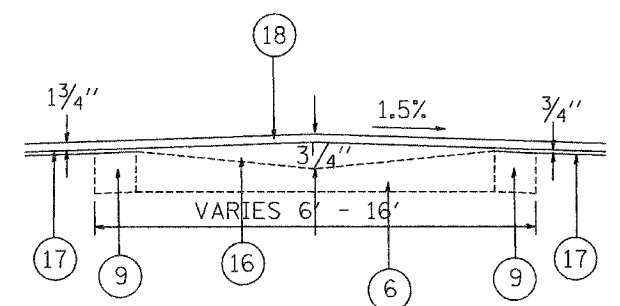


DETAIL A



EXISTING MEDIAN M-2.12

DETAIL B



PROPOSED MEDIAN M-2.12 TREATMENT

FILE NAME = c:\projects\133598\sh_rdw.dgn	USER NAME = sh-rdw	DESIGNED -	REVISED -	STATE OF ILLINOIS DEPARTMENT OF TRANSPORTATION	BUSSE RD (IL 58 (GOLF RD) TO IL 72 (HIGGINS RD)) EXISTING AND PROPOSED TYPICAL SECTIONS	F.A.U. RTE.	SECTION	COUNTY	TOTAL SHEETS	SHEET NO.		
	PLOT SCALE = 50,0000' / IN.	CHECKED -	REVISED -			2660	540R-1-RS	COOK	31	7		
	PLOT DATE = 5/7/2009	DATE -	REVISED -			SCALE: NONE		SHEET NO. OF SHEETS		STA. TO STA.		CONTRACT NO. 60649
						FED. ROAD DIST. NO. 1 (ILLINOIS) FED. AID PROJECT						